

HTLHD SERIES TAPE LIGHT

24V DC High Output (HD) High Density

High Density (HD) tape light features highly efficient and compact LED chip sets that allow for tighter spacing without sacrificing lumen loss and more precise cutting increments for greater customization with run lengths up to 27 feet.

- High Density (HD) LED spacing in High Output performance
- Available in 2700K, 3000K, 3500K, 4000K, and 5000K
- 90+ color rendering index
- Lumen output ranging from 310Lm to 385Lm per foot
- Cuttable every 1.51" with 27ft max run
- Easy installation featuring 3M VHB adhesive backing
- Available in IP54 coated and IP65 Jacketed
- Dimmable (5-100%) with most ELV, TRIAC dimmers
- cULus Listed for indoor dry/damp locations
- 50,000 hours rated life
- Suitable for use in closets when used in an enclosed extrusion based on NFPA 70, NEC section 410.16 (A)(3) and 410.16 (C)(5) See page 4 for more details on NEC Code
- JA8 Compliant



PROJECT: _____

TYPE: _____

LOCATION: _____

CATALOG NUMBER: _____



HTLHD SERIES QUICK SPECS	
VOLTAGE	24V
WATTAGE	3.65W / ft
LUMENS	Up to 385Lm / ft
CCT OPTIONS	2700K / 3000K / 3500K / 4000K / 5000K
CRI	90+
MAX RUN	27ft
CUTTING POINTS	1.51" (38.4mm)
IP RATING	IP54 - Coated / IP65 Jacketed
DIMMING	TRIAC / ELV (5-100%)
DIMENSIONS	0.39" (10mm) W x 0.06" (1.65mm) H
BEAM ANGLE	120°
OPERATING TEMP	5°C (41°F) to 70°C (158°F)
CERTIFICATIONS	cULus Listed - Dry / Damp Location
RATED LIFE	50,000 Hours

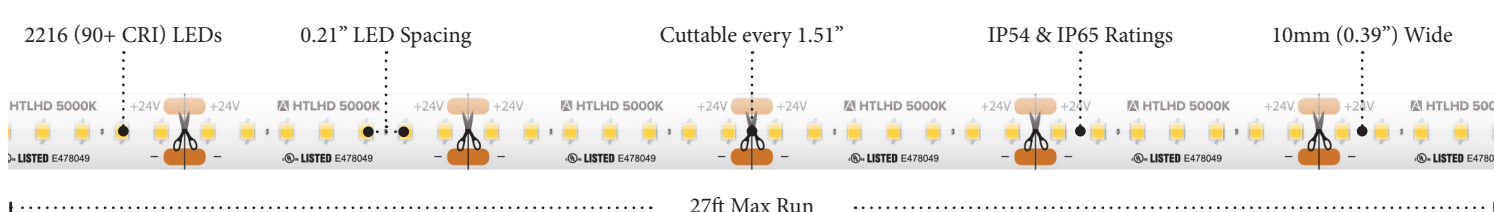
HTLHD SERIES IP RATINGS

IP54 (Coated)
Features a light nano-coating applied to the tape light and LED's that protects from moisture and dust.
Best suited: Indoor dry & damp locations

IP65 (Jacketed)*
Features a clear protective silicone jacketing that protects the tape light from sprayed water and dust.
Best suited: Indoor & Outdoor damp & wet locations

*Not suitable for exposure to chemicals or salt.

HTLHD SERIES QUICK LOOK



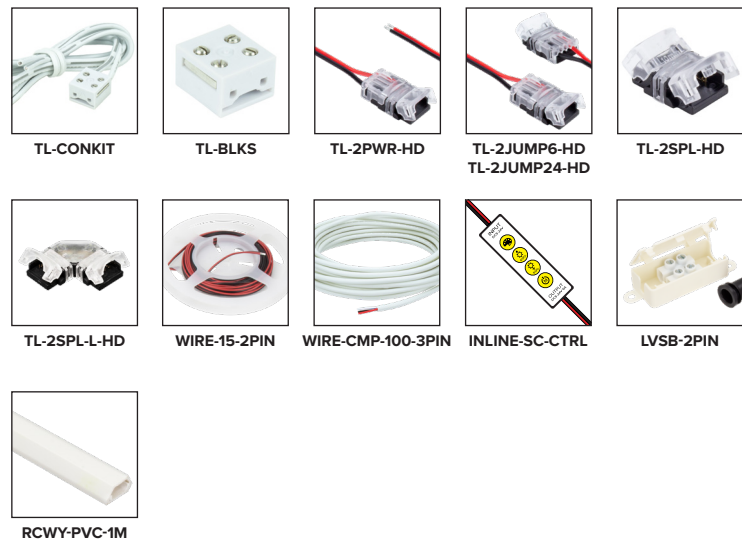
HTLHD SERIES ORDERING INFORMATION *Custom Cut Orders - Please Allow Up To 2-4 Weeks Order Processing & Delivery*

ITEM NUMBER	VOLTAGE	CCT	LENGTH	LUMENS / FT	WATTAGE / FT	IP RATING	CRI	CUTTING	MAX RUN
HTLHD-UWW-16	24V	2700K	16.4 ft	310Lm / ft	3.65W / ft	IP54	90+	1.51" (38.4mm)	27 ft
HTLHD65-UWW-16	24V	2700K	16.4 ft	295Lm / ft	3.65W / ft	IP65	90+	1.51" (38.4mm)	27 ft
HTLHD-UWW-100	24V	2700K	100 ft	310Lm / ft	3.65W / ft	IP54	90+	1.51" (38.4mm)	27 ft
HTLHD-WW-16	24V	3000K	16.4 ft	335Lm / ft	3.65W / ft	IP54	90+	1.51" (38.4mm)	27 ft
HTLHD65-WW-16	24V	3000K	16.4 ft	320Lm / ft	3.65W / ft	IP65	90+	1.51" (38.4mm)	27 ft
HTLHD-WW-100	24V	3000K	100 ft	335Lm / ft	3.65W / ft	IP54	90+	1.51" (38.4mm)	27 ft
HTLHD-NW-16	24V	3500K	16.4 ft	355Lm / ft	3.65W / ft	IP54	90+	1.51" (38.4mm)	27 ft
HTLHD65-NW-16	24V	3500K	16.4 ft	335Lm / ft	3.65W / ft	IP65	90+	1.51" (38.4mm)	27 ft
HTLHD-NW-100	24V	3500K	100 ft	355Lm / ft	3.65W / ft	IP54	90+	1.51" (38.4mm)	27 ft
HTLHD-WH-16	24V	4000K	16.4 ft	385Lm / ft	3.65W / ft	IP54	90+	1.51" (38.4mm)	27 ft
HTLHD65-WH-16	24V	4000K	16.4 ft	365Lm / ft	3.65W / ft	IP65	90+	1.51" (38.4mm)	27 ft
HTLHD-WH-100	24V	4000K	100 ft	385Lm / ft	3.65W / ft	IP54	90+	1.51" (38.4mm)	27 ft
HTLHD-CW-16	24V	5000K	16.4 ft	370Lm / ft	3.65W / ft	IP54	90+	1.51" (38.4mm)	27 ft
HTLHD65-CW-16	24V	5000K	16.4 ft	350Lm / ft	3.65W / ft	IP65	90+	1.51" (38.4mm)	27 ft
HTLHD-CW-100	24V	5000K	100 ft	370Lm / ft	3.65W / ft	IP54	90+	1.51" (38.4mm)	27 ft

16.4ft Reels (IP54) Include: Attached 3ft Lead Wire / (3) TL-CONKIT / (3) TL-BLKS / (3) TL-2PWR-HD
 16.4ft Reels (IP65) Include: Attached 3ft IP65 Lead Wire Connection / (3) HD Power Feeds (IP20)
 100ft Reels (IP54) Include: Attached 3ft Lead Wire / (5) TL-CONKIT / (5) TL-BLKS / (5) TL-2PWR-HD

HTLHD SERIES ACCESSORIES

ITEM NUMBER	DESCRIPTION
TL-CONKIT	6' Trulink 4-in-1 Connection Kit
TL-BLKS	Trulink 4-in-1 Connector Block (QTY 10)
TL-2PWR-HD	6' HD Power Feed (IP54)
TL-2JUMP6-HD	6" HD Linking Cable
TL-2JUMP24-HD	24" HD Linking Cable
TL-2SPL-HD	HD Tape to Tape Splice Connector
TL-2SPL-L-HD	90° "L" HD Tape to Tape Splice Connector (IP54)
WIRE-15-2PIN	15ft (20/2) Wire Spool
WIRE-CMP-100-3PIN	100ft (16/3) In-wall Rated Wire Spool
INLINE-SC-CTRL	Simple Select In-line Controller (Single Color)
LVSB-2PIN	In-Line Splice Terminal Block
RCWY-PVC-1M	1m Plastic Wire Cover Raceway (White)



RECOMMENDED POWER SUPPLIES *Phase Dimming Compatible With Most MLV, ELV, and TRIAC Dimmers*

ITEM NUMBER	DESCRIPTION	MAX / MIN LOAD	INPUT VOLTAGE	OUTPUT VOLTAGE	DIMMABLE	DIMENSIONS
ADPT-DRJ-30-24	Adaptive Series 30W	30W / 3W	100-277V AC	24V	Yes*	6.49"L x 3.6"W x 1.02"H
ADPT-DRJ-60-24	Adaptive Series 60W	60W / 6W	100-277V AC	24V	Yes*	7.4"L x 3.6"W x 1.02"H
ADPT-DRJ-96-24	Adaptive Series 96W	96W / 9.6W	100-277V AC	24V	Yes*	8.66"L x 3.6"W x 1.61"H
ADPT-DRJ-192-24	Adaptive Series 192W (2 x 96W)	192W / 19.2W	100-277V AC	24V	Yes*	10.94"L x 4.25"W x 1.8"H
ADPT-DRJ-288-24	Adaptive Series 288W (3 x 96W)	288W / 28.8W	100-277V AC	24V	Yes*	11.85"L x 4.25"W x 1.8"H

HTLHD SERIES CUT INCREMENT GUIDE

Segment	Length (MM)	Length (Inch)	Length (Feet)
1	38.4	1.51	0.13
2	76.8	3.02	0.25
3	115.2	4.53	0.38
4	153.6	6.04	0.50
5	192	7.55	0.63
6	230.4	9.06	0.76
7	268.8	10.57	0.88
8	307.2	12.08	1.01
9	345.6	13.59	1.13
10	384	15.1	1.26
11	422.4	16.61	1.38
12	460.8	18.12	1.51
13	499.2	19.63	1.64
14	537.6	21.14	1.76
15	576	22.65	1.89
16	614.4	24.16	2.01
17	652.8	25.67	2.14
18	691.2	27.18	2.27
19	729.6	28.69	2.39
20	768	30.2	2.52
21	806.4	31.71	2.64
22	844.8	33.22	2.77
23	883.2	34.73	2.89
24	921.6	36.24	3.02
25	960	37.75	3.15
26	998.4	39.26	3.27
27	1036.8	40.77	3.40
28	1075.2	42.28	3.52
29	1113.6	43.79	3.65
30	1152	45.3	3.78
31	1190.4	46.81	3.90
32	1228.8	48.32	4.03
33	1267.2	49.83	4.15
34	1305.6	51.34	4.28
35	1344	52.85	4.40
36	1382.4	54.36	4.53
37	1420.8	55.87	4.66
38	1459.2	57.38	4.78
39	1497.6	58.89	4.91
40	1536	60.4	5.03
41	1574.4	61.91	5.16
42	1612.8	63.42	5.29
43	1651.2	64.93	5.41
44	1689.6	66.44	5.54
45	1728	67.95	5.66
46	1766.4	69.46	5.79
47	1804.8	70.97	5.91
48	1843.2	72.48	6.04
49	1881.6	73.99	6.17
50	1920	75.5	6.29
51	1958.4	77.01	6.42
52	1996.8	78.52	6.54
53	2035.2	80.03	6.67

Segment	Length (MM)	Length (Inch)	Length (Feet)
54	2073.6	81.54	6.80
55	2112	83.05	6.92
56	2150.4	84.56	7.05
57	2188.8	86.07	7.17
58	2227.2	87.58	7.30
59	2265.6	89.09	7.42
60	2304	90.6	7.55
61	2342.4	92.11	7.68
62	2380.8	93.62	7.80
63	2419.2	95.13	7.93
64	2457.6	96.64	8.05
65	2496	98.15	8.18
66	2534.4	99.66	8.31
67	2572.8	101.17	8.43
68	2611.2	102.68	8.56
69	2649.6	104.19	8.68
70	2688	105.7	8.81
71	2726.4	107.21	8.93
72	2764.8	108.72	9.06
73	2803.2	110.23	9.19
74	2841.6	111.74	9.31
75	2880	113.25	9.44
76	2918.4	114.76	9.56
77	2956.8	116.27	9.69
78	2995.2	117.78	9.82
79	3033.6	119.29	9.94
80	3072	120.8	10.07
81	3110.4	122.31	10.19
82	3148.8	123.82	10.32
83	3187.2	125.33	10.44
84	3225.6	126.84	10.57
85	3264	128.35	10.70
86	3302.4	129.86	10.82
87	3340.8	131.37	10.95
88	3379.2	132.88	11.07
89	3417.6	134.39	11.20
90	3456	135.9	11.33
91	3494.4	137.41	11.45
92	3532.8	138.92	11.58
93	3571.2	140.43	11.70
94	3609.6	141.94	11.83
95	3648	143.45	11.95
96	3686.4	144.96	12.08
97	3724.8	146.47	12.21
98	3763.2	147.98	12.33
99	3801.6	149.49	12.46
100	3840	151	12.58
101	3878.4	152.51	12.71
102	3916.8	154.02	12.84
103	3955.2	155.53	12.96
104	3993.6	157.04	13.09
105	4032	158.55	13.21
106	4070.4	160.06	13.34

Segment	Length (MM)	Length (Inch)	Length (Feet)
107	4108.8	161.57	13.46
108	4147.2	163.08	13.59
109	4185.6	164.59	13.72
110	4224	166.1	13.84
111	4262.4	167.61	13.97
112	4300.8	169.12	14.09
113	4339.2	170.63	14.22
114	4377.6	172.14	14.35
115	4416	173.65	14.47
116	4454.4	175.16	14.60
117	4492.8	176.67	14.72
118	4531.2	178.18	14.85
119	4569.6	179.69	14.97
120	4608	181.2	15.10
121	4646.4	182.71	15.23
122	4684.8	184.22	15.35
123	4723.2	185.73	15.48
124	4761.6	187.24	15.60
125	4800	188.75	15.73
126	4838.4	190.26	15.86
127	4876.8	191.77	15.98
128	4915.2	193.28	16.11
129	4953.6	194.79	16.23
130	4992	196.3	16.36
131	5030.4	197.81	16.48
132	5068.8	199.32	16.61
133	5107.2	200.83	16.74
134	5145.6	202.34	16.86
135	5184	203.85	16.99
136	5222.4	205.36	17.11
137	5260.8	206.87	17.24
138	5299.2	208.38	17.37
139	5337.6	209.89	17.49
140	5376	211.4	17.62
141	5414.4	212.91	17.74
142	5452.8	214.42	17.87
143	5491.2	215.93	17.99
144	5529.6	217.44	18.12
145	5568	218.95	18.25
146	5606.4	220.46	18.37
147	5644.8	221.97	18.50
148	5683.2	223.48	18.62
149	5721.6	224.99	18.75
150	5760	226.5	18.88
151	5798.4	228.01	19.00
152	5836.8	229.52	19.13
153	5875.2	231.03	19.25
154	5913.6	232.54	19.38
155	5952	234.05	19.50
156	5990.4	235.56	19.63
157	6028.8	237.07	19.76
158	6067.2	238.58	19.88
159	6105.6	240.09	20.01

Segment	Length (MM)	Length (Inch)	Length (Feet)
160	6144	241.6	20.13
161	6182.4	243.11	20.26
162	6220.8	244.62	20.39
163	6259.2	246.13	20.51
164	6297.6	247.64	20.64
165	6336	249.15	20.76
166	6374.4	250.66	20.89
167	6412.8	252.17	21.01
168	6451.2	253.68	21.14
169	6489.6	255.19	21.27
170	6528	256.7	21.39
171	6566.4	258.21	21.52
172	6604.8	259.72	21.64
173	6643.2	261.23	21.77
174	6681.6	262.74	21.90
175	6720	264.25	22.02
176	6758.4	265.76	22.15
177	6796.8	267.27	22.27
178	6835.2	268.78	22.40
179	6873.6	270.29	22.52
180	6912	271.8	22.65
181	6950.4	273.31	22.78
182	6988.8	274.82	22.90
183	7027.2	276.33	23.03
184	7065.6	277.84	23.15
185	7104	279.35	23.28
186	7142.4	280.86	23.41
187	7180.8	282.37	23.53
188	7219.2	283.88	23.66
189	7257.6	285.39	23.78
190	7296	286.9	23.91
191	7334.4	288.41	24.03
192	7372.8	289.92	24.16
193	7411.2	291.43	24.29
194	7449.6	292.94	24.41
195	7488	294.45	24.54
196	7526.4	295.96	24.66
197	7564.8	297.47	24.79
198	7603.2	298.98	24.92
199	7641.6	300.49	25.04
200	7680	302	25.17
201	7718.4	303.51	25.29
202	7756.8	305.02	25.42
203	7795.2	306.53	25.54
204	7833.6	308.04	25.67
205	7872	309.55	25.80
206	7910.4	311.06	25.92
207	7948.8	312.57	26.05
208	7987.2	314.08	26.17
209	8025.6	315.59	26.30
210	8064	317.1	26.43
211	8102.4	318.61	26.55
212	8140.8	320.12	26.68

NEC CODE NOTES

2023 NEC CODE ARTICLE 410.16 LUMINAIRES IN CLOTHES CLOSETS

(A) Clothes Closet Storage Space

The clothes closet storage space shall be the volume bounded by the sides and back closet walls and planes extending from the closet floor vertically to a height of 1.8 m (6 ft) or to the highest clothes-hanging rod and parallel to the walls at a horizontal distance of 600 mm (24 in.) from the sides and back of the closet walls, respectively. The volume extends vertically to the closet ceiling parallel to the walls at a horizontal distance of 300 mm (12 in.) or the width of the shelf, whichever is greater. For a closet that permits access to both sides of a hanging rod, the clothes closet storage space includes the volume below the highest rod extending 300 mm (12 in.) on either side of the rod on a plane horizontal to the floor extending the entire length of the rod. See Figure 410.16(A).

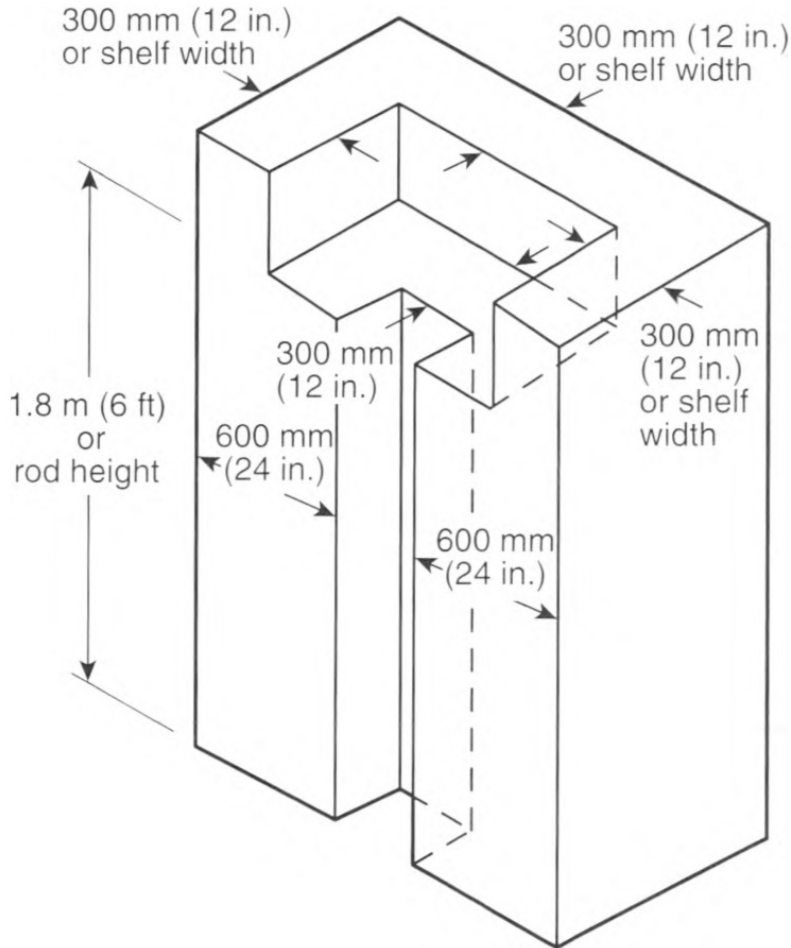


FIGURE 410.16(A) Clothes Closet Storage Space.

(B) Luminaire Types Permitted

Only luminaires of the following types shall be permitted in a clothes closet:

Surface-mounted or recessed incandescent or LED luminaires with completely enclosed light sources

Surface-mounted or recessed fluorescent luminaires

Surface-mounted fluorescent or LED luminaires identified as suitable for installation within the clothes closet storage space

(C) Luminaire Types Not Permitted

Incandescent luminaires with open or partially enclosed lamps and pendant luminaires or lampholders shall not be permitted.

(D) Location

The minimum clearance between luminaires installed in clothes closets and the nearest point of a clothes closet storage space shall be as follows:

300 mm (12 in.) for surface-mounted incandescent or LED luminaires with a completely enclosed light source installed on the wall above the door or on the ceiling.

150 mm (6 in.) for surface-mounted fluorescent luminaires installed on the wall above the door or on the ceiling.

150 mm (6 in.) for recessed incandescent or LED luminaires with a completely enclosed light source installed in the wall or the ceiling.

150 mm (6 in.) for recessed fluorescent luminaires installed in the wall or the ceiling.

Exception: Surface-mounted fluorescent or LED luminaires shall be permitted to be installed within the clothes closet storage space where identified for this use.



AMERICAN LIGHTING WARRANTY

LIMITED WARRANTY FOR LED PRODUCTS: 5 YEARS

LIMITED PRODUCT WARRANTY

Our products are warranted to be free from defects in material and workmanship for the warranty period listed. Warranty periods begin from the date of shipment from American Lighting Inc's warehouse to the original purchaser. Products that prove to be defective during their specific warranty period will be either repaired or replaced, at the sole discretion of American Lighting Inc. Claims for defective products must be submitted in writing to American Lighting Inc's RGA Department within the warranty period. Upon approval of such return, American Lighting Inc reserves the right to inspect the product for misuse or abuse. Claims for indirect or consequential damages or for product that, in American Lighting Inc's opinion, has been misused will be denied. This is a warranty of product reliability only and not a warranty of merchantability or fitness for a particular purpose. American Lighting Inc shall have no liability whatsoever in any event for payment of incidental or consequential damages, including, without limitations, installation costs and/or damages for personal injury and/or property. These products may represent a possible shock or fire hazard if improperly installed or altered in any way. This warranty does not apply to any product that has not been properly installed in accordance with current local codes and/or the National Electrical Code. Products that require a transformer, driver, or power supply must be used in conjunction with American Lighting Inc's recommended power supply to ensure safety and retain product warranty.

PRODUCT SPECIFICATIONS

For the latest product information, updates, instructions and details concerning specifications, colors, finishes, performance, installation and design, visit www.americanlighting.com. Color may vary from the color printed herein due to limitations in photographic and printing processes. American Lighting Inc. reserves the right to change product specifications without notice. Other product specifications such as color temperature, wavelength characteristics and lumen output are subject to production limitations and may vary.

LED technology is changing rapidly, and not all color temperatures and performance levels can be duplicated at a later time. Best practices include purchasing 10-15% more for a particular project on the same initial order where white LED color temperatures must be maintained over project and product life. Eventual product replacement should be considered at layout and design stages. Best practices also include testing connections and product performance prior to mounting and/or installing.

AVERAGE LIFE

Average incandescent lamp life, rated life and average life are terms used to describe the number of hours at which half of the lamps have failed. For LEDs, the hours of rated life specify the point where 70% of original lumen output is reached. Below this point, the effective life is over, however, the LED may still emit light. Individual results may vary with actual environmental conditions including, but not limited to, proper installation, ambient temperature and/or input voltage fluctuations.