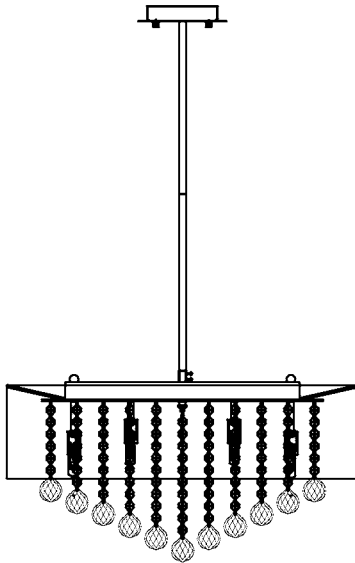


Trade Mark:  
CRYSTAL WORLD INC

Product Name: Pendant lamp  
MODEL:5062P24C  
120Vac, 60Hz,AC ONLY  
Lamp Size:Ø24"xH48"



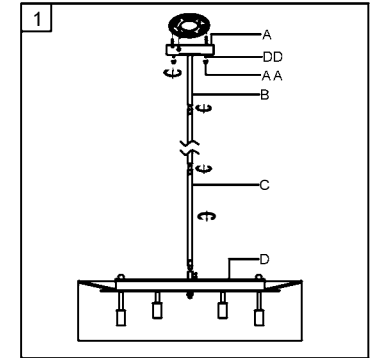
## PENDANT LAMP ASSEMBLY INSTRUCTIONS

1. Place fixture(A) onto mounting screws (DD). secure with cap nuts (AA). Please fix (A) with (B). (B) with (C), (C) with (D).

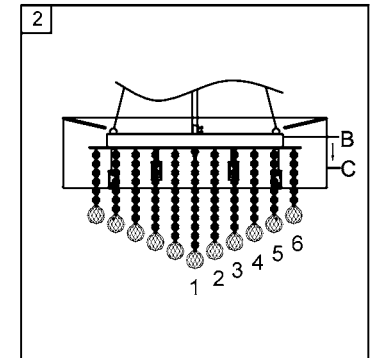
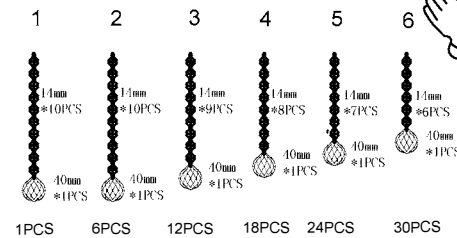
### Hardware Used

AA Cap nut  X 4

DD Mounting screw  X 4



2. Please hang the crystal (1) (2)(3)(4)(5) (6) to the fixture (B).



3. Install light bulbs ( not included).

Use 120V G9  12\*40W Max.

