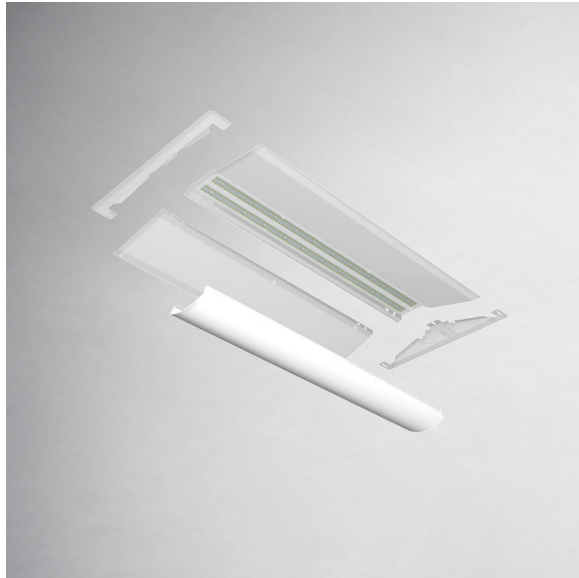


| | |
|-------|---------------------|
| Date: | Fixture: |
| Qty: | Client/ Project: |



DelSnap

Quick

FEATURES

- Steel construction
- 5 piece retrofit kit (including lens)
- Easy installation
- Frosted lens
- General ceiling light applications



10 Year
Warranty

SPECIFICATIONS

Efficacy:

110 Lm/W

CRI:

83+

Color Temperature:

3000K, 3500K, 4000K, 5000K

Lumen Maintenance:

180,000+ Life Hours (L70)

Voltage:

120/277V | 347V

Control Options:

0-10V Dimming

Operating Temperature:

-40°C to +40°C

Mounting Options:

T Bar

Wiring Options:

Black, White Flexible Cord

Accessories:

EASY SENSE

10kV Surge Protection

OUTPUT PERFORMANCE

| Model | Watts | Lm/W | Delivered Lumens | Model | Watts | Lm/W | Delivered Lumens |
|-------------------|-------|------|------------------|-------------------|-------|------|------------------|
| Delsnap Quick 2x2 | 20 | 110 | 2,200 | Delsnap Quick 2x4 | 30 | 110 | 3,300 |
| | 30 | 110 | 3,300 | | 40 | 110 | 4,400 |
| | 40 | 110 | 4,400 | | 60 | 110 | 6,600 |

Note: Not all products are qualified on the DLC QPL.

To view our DLC qualified products, please consult the DLC qualified products list at www.designlights.org/qpl.

delviro energy

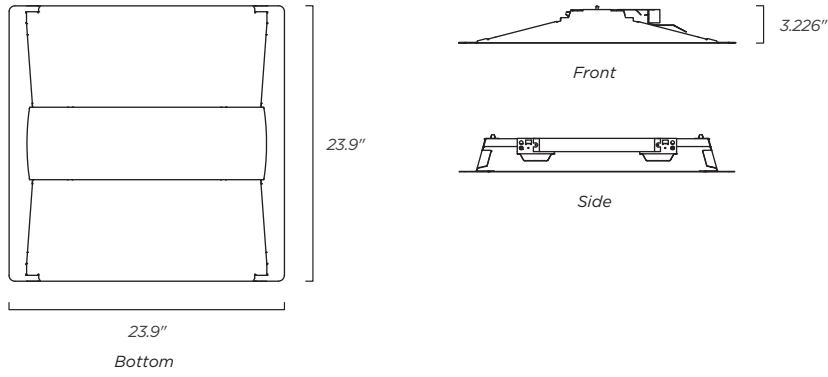
94 Brockport Drive, Toronto, Ontario, M9W 7J8 | Tel. 1.877.502.3434 | info@delviro.com | www.delviro.com

© delviro energy 2018

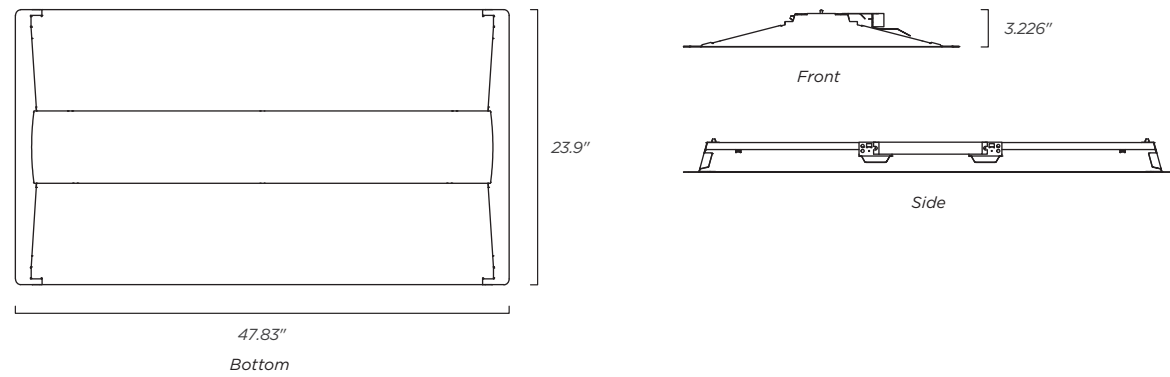
Specifications subject to change without notice.

DIMENSIONS

DelSnap Quick 2x2



DelSnap Quick 2x4



INSTALLATION INSTRUCTIONS

NOTE:

Follow the Electrical Codes of the Country where this fixture will be installed. For Canada follow the **Canadian Electrical Code (CE)** and for the United States follow the **National Electrical Code (NEC)**. Failure to follow these instructions could result in electric shock or damage property. All wiring should also be performed by a qualified electrician.

DelSnap Quick Installation Instructions

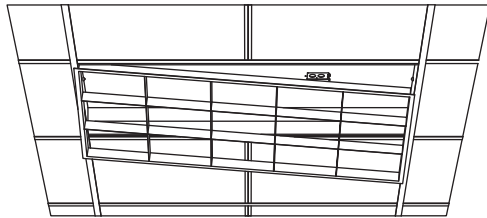
REMOVE HOST FIXTURE CONTENTS

The DelSnap Quick is designed for installation in a wide variety of 2x4 and 2x2 indoor fluorescent based fixture in horizontal applications.

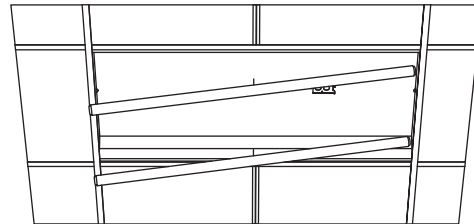
- The DelSnap Quick is non-air handling.
- Install the DelSnap Quick only in fluorescent based host lighting fixtures only with a minimum depth of 3.5"
- Install the DelSnap Quick only in combination with 15/16" NEMA G or NEMA NFG T-grids.
- Due to the wide variety in troffers and ceiling grids, it is recommended that the installer does a test install before commencing a renovation.
- Please verify voltage on the DelSnap Quick product label matches the mains voltage.

Steps

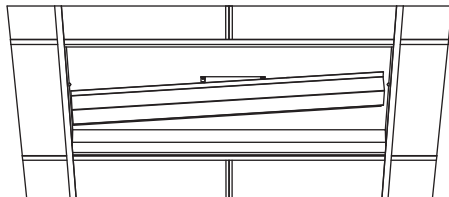
1. Remove Host Fixture Contents. Turn power off and take out original cover.



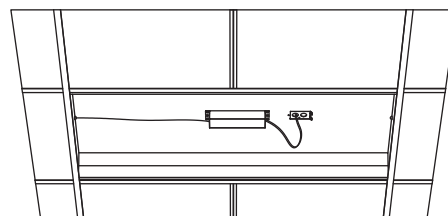
2. Take out TL Tubes



3. Remove belly pan. If remaining troffer height is limited, remove ballast.



4. Disconnect host fixture ballast from mains



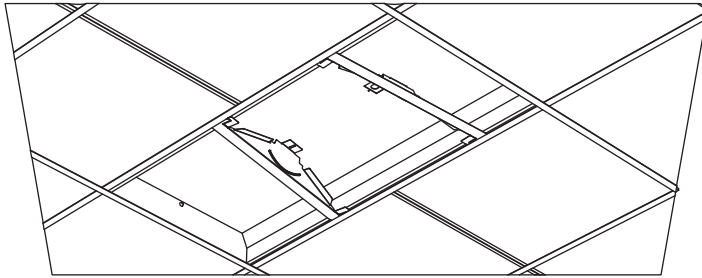
INSTALLATION INSTRUCTIONS

DelSnap Quick

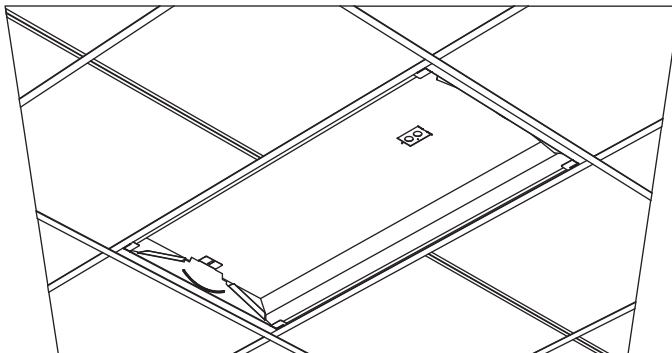
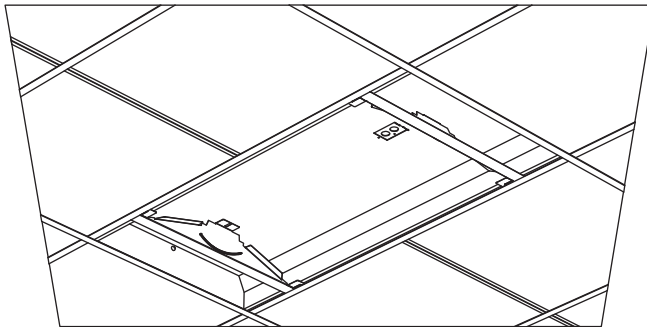
Installation of side panels (A)

Steps

1. Install side panels (A) in between Troffer and T-grid.



2. Slide side panel (A) as outwards as possible towards the ends of the the host fixture.



delviro energy

94 Brockport Drive, Toronto, Ontario, M9W 7J8 | Tel. 1.877.502.3434 | info@delviro.com | www.delviro.com

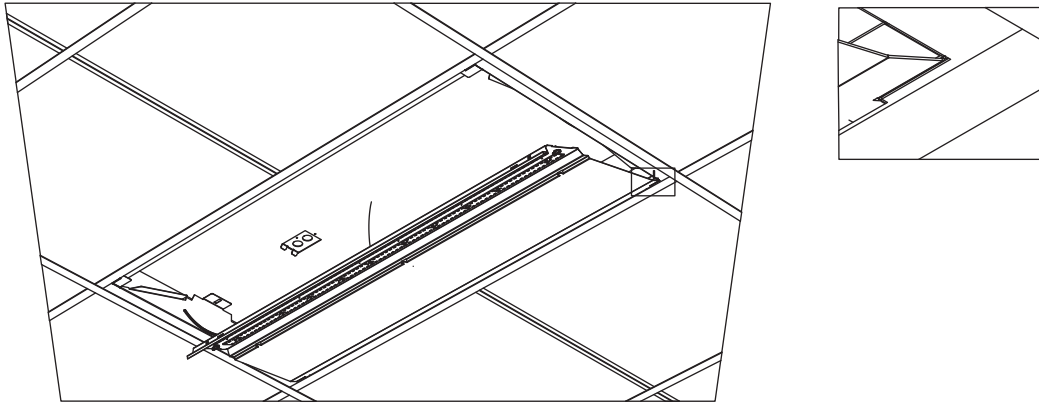
© delviro energy 2018

Specifications subject to change without notice.

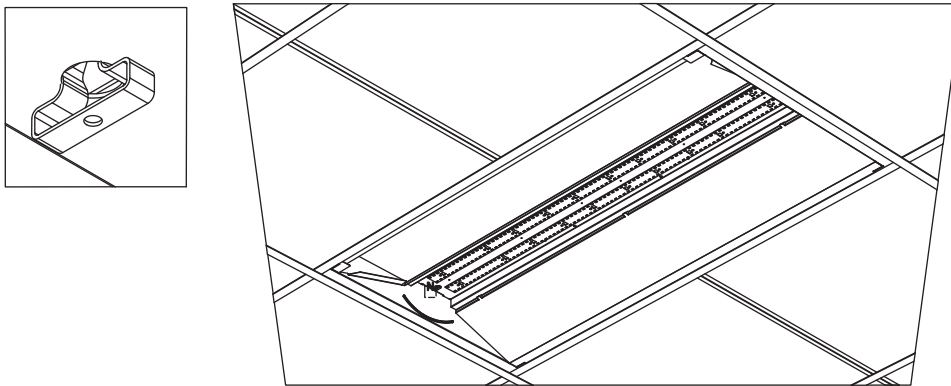
INSTALLATION INSTRUCTIONS

DelSnap Quick

Installation of LED panel (B)



1. Install LED panel (B) in between Troffer and T-grid, making sure the tabs at each corner of the LED panel slide into the respective slots on the side panel. Connect grounding cable from LED panel to original fixture and connect main cables. Hide connected wires behind LED panel (B).
2. Connect grounding cable from LED panel to original fixture and connect main cables. Hide connected wires behind LED panel (B).
3. Fixate panels and establish ground by turning each fastener 90 degrees.

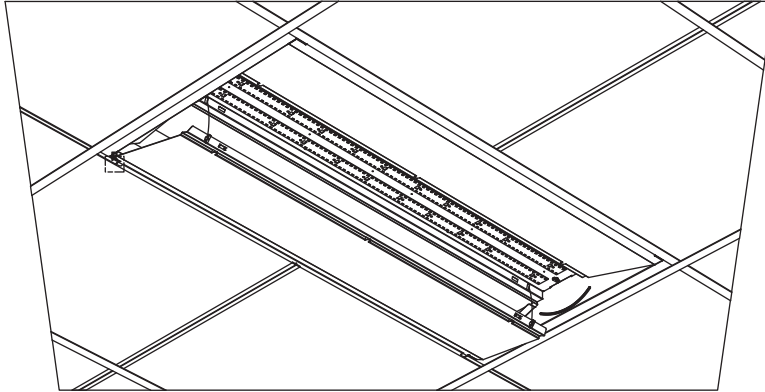


INSTALLATION INSTRUCTIONS

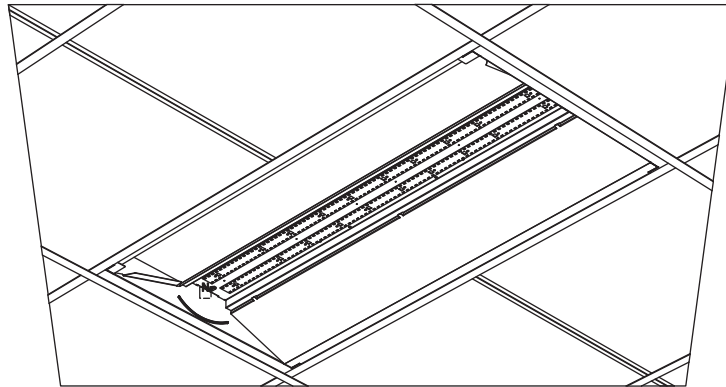
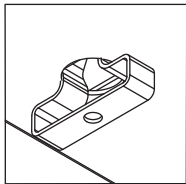
DelSnap Quick

Installation of Closing Panel (C)

1. Install closing panel (C) in-between troffer and T-grid.



2. Connect grounding cable from LED panel to original fixture and connect main cables. Hide connected wires behind LED panel (B).
3. Fixate panels and establish ground by turning each fastener 90 degrees.

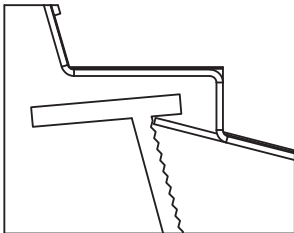
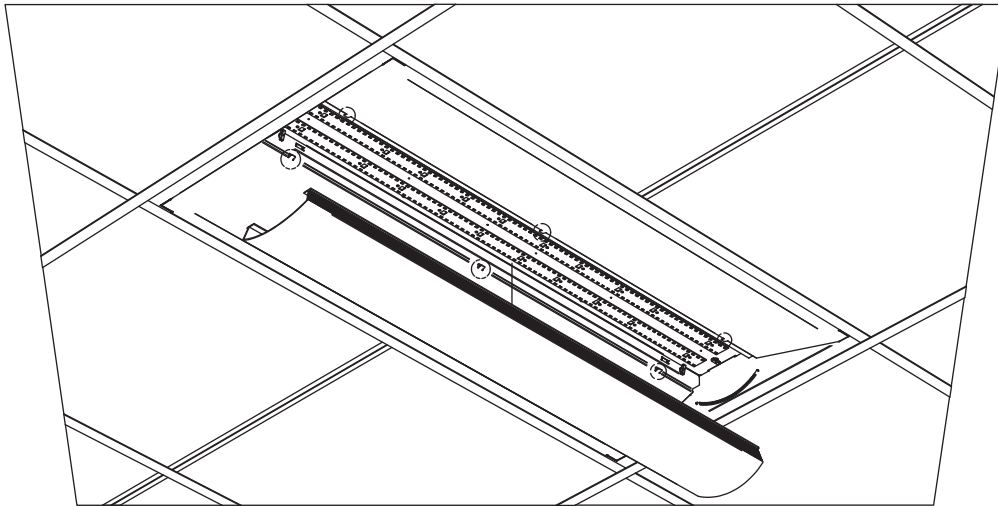


INSTALLATION INSTRUCTIONS

DelSnap Quick

Installation of Diffuser (D)

1. Slide diffuser (D) under the tabs on one side from either Panel and press diffuser (D) over the tabs on opposite panel. The installation is now complete.



ORDERING GUIDE

| MODEL | WATTS | COLOR TEMP | VOLTAGE | LENS | FINISH | MOUNTING |
|--------------------------|-------------------|-------------------------------------|------------------------------------|---|-----------------|-----------------|
| DelSnap Quick 2x2 | 20, 30 40 | 3K 3000K 35K 3500K | U 120/277V H 347V | NL Normal Frosted Lens (standard) | WH White | QC Quick |
| DelSnap Quick 2x4 | 30, 40, 60 | 4K 4000K 5K 5000K | | | | |
| | | | | NL | WH | QC |

| ACCESSORIES | PLUG |
|-----------------------------------|--------------------------|
| N None | N None |
| EASYSENSE | *See Plug Options |
| 10kV 10kV Surge Protection | |

PLUG OPTIONS

- 5-15P** - 125V 15A T-Slot Plug
- L5-15P** - 125V 15A Locking Plug
- 5-20P** - 125V AC 20A T-Slot Plug
- L5-20P** - 125V 20A Locking Plug
- 6-15P** - 250V AC 15A 3W/2P Plug NEMA 6-15
- L6-15P** - 250V 15A Locking Plug
- 6-20P** - 250V AC 20A Plug
- L6-20P** - 250V 20A Locking Plug
- 7-15P** - 277V 15A 3W/2P NEMA 7-15 Plug
- L7-15P** - 277V 15A Locking Plug
- 7-20P** - 277V AC 20A Plug
- L7-20P** - 277V 20A Locking Plug
- 24-20P** - 347V AV 20A 3W/2P Plug NEMA 24-20
- L24-20P** - 347V 20A Locking Plug
- 24-15P** - 347V AC 15A 3W/2 Plug NEMA 24-15