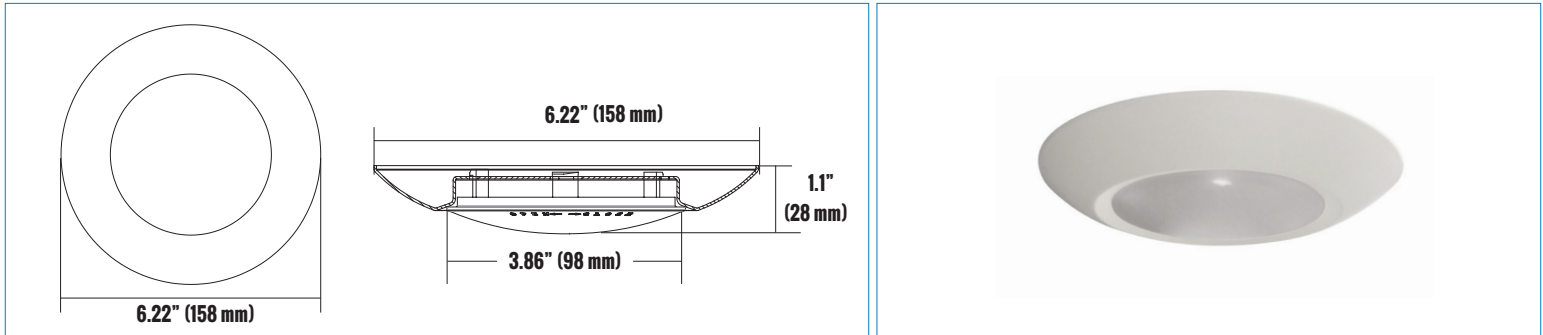


CATALOG #		TYPE
PROJECT		DATE
PREPARED BY		

**PRODUCT CODE: RTFFR4-101-4D-WH**
**4 INCH APERTURE DISK LIGHT SURFACE MOUNT**


## PRODUCT DESCRIPTION

The Etlin-Daniels Low Profile LED Surface Mount Disk Light RTFFR4-101-XX-WH offers the latest in both energy savings and ease of installation. At only 1.1 inches in depth and 6.2 inches in width, and with its translucent white polycarbonate diffuser, the RTFFR4 series provides a 105° beam pattern of glare free, energy efficient illumination. The keyless slot rear mounting profile allows for a simple and quick installation in minutes. Triac dimmable and wet location rated, the indoor applications include a wide range from closets and storage areas, basements and stairwells, to general lighting in small rooms. Available in both 3000K & 4000K.

## FEATURES

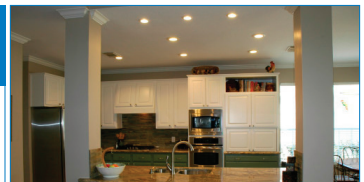
- Indoor LED light source.
- Surface mount, low profile - 1.1" housing with 105° translucent polycarbonate diffuser.
- Keyless slot mounting to j-boxes.
- Wet location and IC rated.
- Triac dimmable.
- 5 year warranty.
- L70 50,000 hours.
- Energy Star approved.

## PRODUCT SPECIFICATIONS (OPTICAL DATA)

LED TYPE	LED QTY	SYSTEM EFFICACY	LUMENS	COLOR TEMPERATURE	BEAM ANGLE	CRI	SYSTEM EFFICIENCY	VOLTAGE	POWER FREQ.	POWER EFFICIENCY	POWER FACTOR	HARMONIC DISTORTION
DOB	20 CHIPS	60LM/W	600LM	4000K	105°	>80CRI	>75%	120V	60HZ	>85%	>0.95	<20%

## PRODUCT SPECIFICATIONS

WATTAGE	FIXTURE MATERIAL	INGRESS PROTECT	LIFE SPAN	STORAGE TEMP	OPERATING TEMP	PRODUCT DIMENSIONS	CARTON SIZE
10W	ALUMINUM /PLASTIC	IP44	>50,000 HOURS	+5°C - 30°C - 41°F - 22°F	-20°C - 40°C - 4°F - 104°F	6.22 X 1.1 INCHES (158 X 28 MM)	13.75 X 8.88 X 14 INCHES (349 X 226 X 356 MM)



## ADDITIONAL INFORMATION

### INSTALLATION METHOD

SURFACE MOUNT

### FIXTURE COLOR

WHITE ALUMINUM/  
POLYCARBONATE DIFFUSER

### CONTROL TYPE

TRIAC DIMMABLE

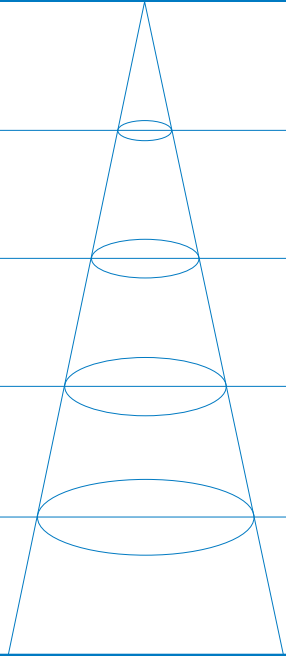
CATALOG #		TYPE
PROJECT		DATE
PREPARED BY		

**PRODUCT CODE: RTFFR4-101-4D-WH**

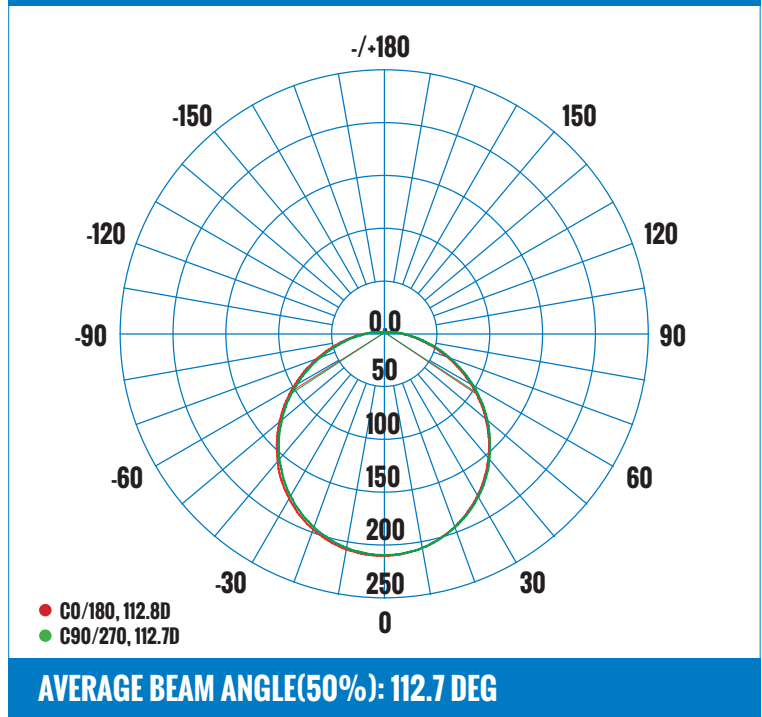
**4 INCH DISK APERTURE DISK LIGHT SURFACE MOUNT**

**LUMINAIRE PHOTOMETRIC (TEST REPORT)**

**ILLUMINANCE (AT A DISTANCE) - FLUX OUT: 470.8LM**

3.281FT 1M	5.872,20.71FC 63.21,222.9LX		9.828FT 299.57CM
6.562FT 2M	1.468,5.177FC 15.80,55.72LX		19.66FT 599.14CM
9.843FT 3M	0.6524,2.301FC 7.023,24.76LX		29.49FT 898.71CM
13.12FT 4M	0.3670,1.294FC 3.950,13.93LX		39.31FT 1198.28CM
16.4FT 5M	0.2349,0.8282FC 2.528,8.915LX		49.14FT 1497.85CM
<b>HT</b>	<b>EAVG/EMAX</b>	<b>ANGLE: 112.54DEG</b>	<b>DIA</b>

**LUMINOUS INTENSITY DISTRIBUTION DIAGRAM**



**CERTIFICATIONS**



**DRIVER/LED CHIP**



**ORDERING INFORMATION - RTFFR SERIES**

SHAPE	STYLE	SIZE	WATTAGE	VOLTAGE	COLOR TEMPERATURE	DIMMABLE	FINISH
E.G. R	TFFR	4	10	1	4	D	WH
R - ROUND	TFFR - THIN FLUSH FIXTURE REVEAL	4 - 4"	10- 10W	1 - 120V	4 - 4000K	D - TRIAC	WH - WHITE

Head Office - 1850 Wilson Ave. · Toronto, ON · M9M 1A1 · Tel: 416.741.7336 · Fax: 416.741.9104

Toll Free: in Canada. 1.800.661.9610 · in USA. 1.888.762.5384 (SOCKETS4U)

www.etlin-daniels.com · For sales/service questions - sales@etlin.com