



THE ASSORTMENT AT A GLANCE

# LEDVANCE LED LUMINAIRES

DECEMBER 2021



[LEDVANCE.COM](http://LEDVANCE.COM)



**LEDVANCE**

# CONTENTS

## LEDVANCE LUMINAIRE PORTFOLIO: WHAT'S NEW?

04

### DOWNLIGHTS

Downlight UGR19	20
Downlight Comfort	22
Downlight Alu	24
Downlight Slim Alu	26



18

### PANEL LUMINAIRES

Panel IndiviLED	70
Panel IP54	72
Panel Performance Gen 3	74
Panel Value	78
Panel Accessories	80



68

**STANDARD APPLICATIONS:** Public Areas | Shops | Stairways | Corridors  
Foyers | Bathrooms | Kitchens

**STANDARD APPLICATIONS:** General Indoor Lighting | Public Buildings  
Offices | Conference Rooms | Corridors

### SPOTLIGHTS

Spot Vario	30
Spot Multi	32
Spot Square Adjust	34
Spot Round Adjust	36
Spot Round Fix	38
Spot Fireproof Fix	40
Spot Darklight	42



28

### PENDANT AND SURFACE-MOUNTED LUMINAIRES

Panel Direct/Indirect	86
Linear IndiviLED Direct/Indirect	88
Linear IndiviLED Direct/Indirect	90
Accessories	92
Linear IndiviLED Direct	92
Linear IndiviLED Direct	95
Accessories	95



84

**STANDARD APPLICATIONS:** Shops | Sales Rooms | Fashion Stores  
Hotels | Cafés | Restaurants | Galleries | Museums

**STANDARD APPLICATIONS:** General Indoor Lighting | Offices | Libraries  
Schools | Corridors | Entrance Areas

### TRACKLIGHTS

Tracklight Spot Compact	46
Tracklight Spot Zoom DIM	48
Tracklight Spot	50
Tracklight Spot Reflector	53



44

### LINEAR LUMINAIRES

Linear Surface IP44	98
Linear Surface IP44 Accessories	100
Linear Ultra Output	102
Linear Compact	106



96

**STANDARD APPLICATIONS:** Shops | Fashion Stores | Boutiques  
Department Stores | Hotels | Cafés | Galleries | Museums | Showrooms

**STANDARD APPLICATIONS:** Public Buildings | Corridors | Entrance Areas  
Stairwells | Cove Lighting | Shelving

### WALL AND CEILING LUMINAIRES

Surface Compact IK10	56
Surface Circular	58
Surface Circular Cover	60
Surface Bulkhead	62
Surface Bulkhead Accessories	66



54

### TRUNKING SYSTEMS

TruSys Performance	112
TruSys Performance Energy	116
Rail & Accessories	122
TruSys	122
TruSys Energy	125
Rail & Accessories	125



110

**STANDARD APPLICATIONS:** Public Areas | Walkways | Stairways  
Bathrooms | Foyers

**STANDARD APPLICATIONS:** Factories | Warehouses | Discounters  
Workshops

Please use the back-button  
on the following pages to get  
back to the content page



## FURTHER INFORMATION ON LEDVANCE AND ABBREVIATIONS

200

### DAMP-PROOF LUMINAIRES

130

Damp Proof Compact IP66	132
Damp Proof Gen 2	134
Damp Proof Special Gen 2	138
Damp Proof Housing	140
Damp Proof Slim Value	142
Damp Proof Value	144



**STANDARD APPLICATIONS:** Factories and Warehouses | Parking Lots  
Underpasses | Garages | Workshops | Production Lines | Agriculture

### EMERGENCY LIGHTING

190

Single-Battery	
Emergency Luminaires	191
Emergency Conversion Box	193



**STANDARD APPLICATIONS:** Escape Routes (Corridors) | Open Areas  
(Anti-Panic) | Public Buildings | Shops | Offices

### HIGH-BAY LUMINAIRES

146

High Bay Gen 3	148
High Bay Accessories	150
High Bay Value	152
High Bay Value Accessories	154



**STANDARD APPLICATIONS:** Warehouses | Logistics Centers | Industry  
High Ceilings (e.g. Airports)

### LED DRIVERS FOR CONSTANT CURRENT

194

LED Driver DALI Performance	196
LED Driver Phase-Cut Performance	197
LED Driver Dip-Switch Performance	198
LED Driver Value	199



### FLOODLIGHTS

156

Floodlight 10 W–50 W	158
Floodlight 65 W–200 W	160
Floodlight Sensor	162
Floodlight Photocell	164
Floodlight Compact	166
Floodlight Max	170
Floodlight Max Power Supply	173
Floodlight Performance	174
Floodlight Area	178



**STANDARD APPLICATIONS:** Building facades | Public areas  
Industry | Lighting of large areas | Sports facilities | Construction sites  
Parking lots | Underpasses

### STREETLIGHTS

180

Streetlight Flex Small	182
Streetlight Flex Medium	184
Streetlight Flex Large	186
Streetlight Flex Accessories	188



**STANDARD APPLICATIONS:** M-, C- and P-class roads  
acc. to EN 13201 | Parking | Public areas | Industry

Look for the following to help navigate  
this brochure and learn more:

Return to Contents Page



Click for further information



All the following values for the IP and IK protection classes  
apply exclusively to luminaires (excluding accessories).

# BETTER LIGHT – QUICK AND EASY TO INSTALL LED LUMINAIRES FROM LEDVANCE

## FOCUSING ON YOUR NEEDS

LEDVANCE is a strong partner to have by your side when you need to inspire your customers with perfect lighting solutions. We listen carefully to installers and lighting professionals – and are constantly working to improve our products and services. We aim not just to meet your expectations but exceed them – in the choice of products, the quality of the light and simple, user-friendly installation.

And we'll prove it with our extended luminaire portfolio for a wide range of applications in the office, industry, parking, shop and urban outdoor sectors.

## TOGETHER FOR BETTER LIGHT

LEDVANCE supports you with a comprehensive lighting portfolio from a single source, an excellent price-performance ratio and guarantees<sup>1</sup> of up to 5 years.

But that's not nearly all. Our services are perfectly tailored to the needs of professional users. For example, our global supplier and sales network means we are always at your side wherever you may be. And you can count on us throughout all your lighting projects – from initial consultation to technical after-sales support.

<sup>1</sup> For precise terms and conditions go to [www.ledvance.com/guarantee](http://www.ledvance.com/guarantee)



## SCALE – AWARD-WINNING LUMINAIRE DESIGN

Design makes products unique – like our individual, aesthetic and functional SCALE design language. It combines unique luminaire design with tangible value in every product and takes the modern tonality of the LEDVANCE brand into new territory. A fascinating combination of form and function, which is loved not only by our customers – as the 2019 German Design Award proves.

# EASY TO INSTALL ANCE



## YOUR BENEFITS AT A GLANCE



Global network



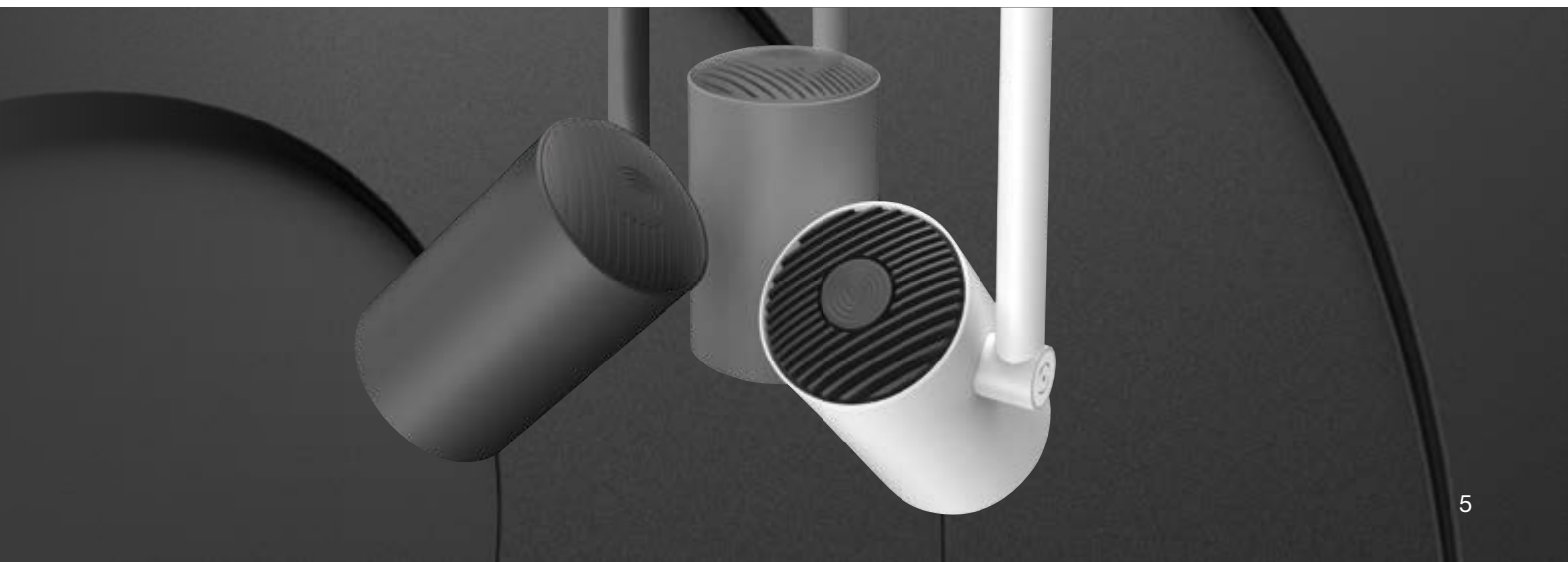
Extensive portfolio  
from a single source



Outstanding services

## FULL SERVICE FOR YOUR PROJECT SUCCESS

In addition to first-class products and competent customer service ([contact@ledvance.com](mailto:contact@ledvance.com)), we support you in numerous other ways throughout your lighting projects. Go to [www.ledvance.com](http://www.ledvance.com) and discover valuable service concepts such as the Fast Light Calculation Tool, our eLearning modules or the DIALux/RELUX light planning software.



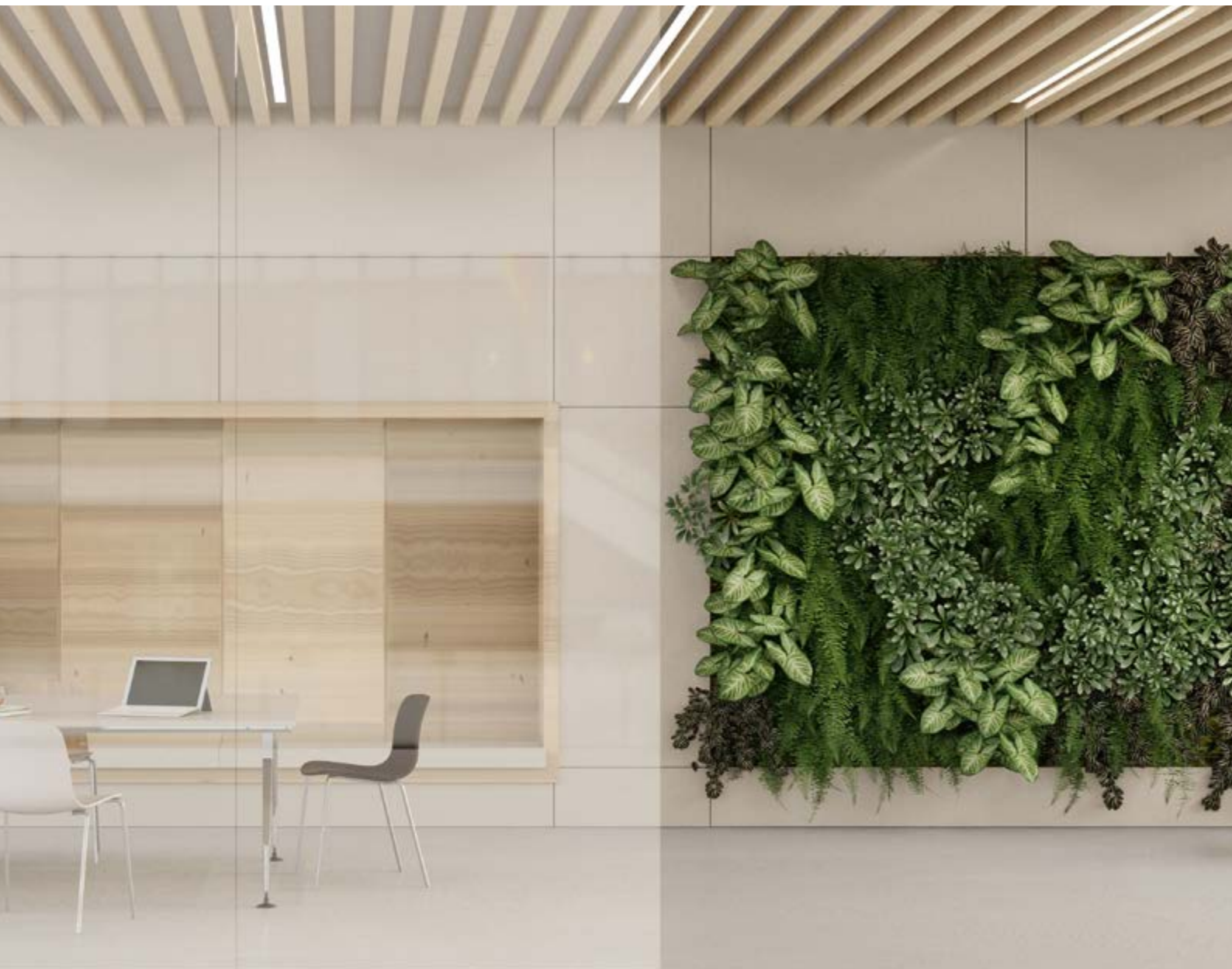
# SLR/ELR – GET READY FOR C

## EU REGULATIONS: NEW RULES FOR THE LIGHT OF THE FUTURE

The EU is embarking on the next stage in the journey toward efficient, climate-friendly lighting and there are some fundamental changes to the lighting market in 2021.

These changes are being triggered by the new EU 2019/2020 Single Lighting Regulation (SLR) and the new EU 2019/2015 Energy Label Regulation (ELR), which have been in force since the end of 2019. They are now being implemented in phases. The aim is to protect the environment, boost consumer protection and improve the sustainability of products.

Amongst other things, the regulations no longer distinguish between modules, lamps and luminaires. Instead, they refer only to light sources.



# CLIMATE-FRIENDLY LIGHT

## NEW: LIGHT SOURCES INSTEAD OF LAMPS AND LUMINAIRES

In addition to promoting energy efficiency, the regulations aim to conserve resources and strengthen the circular economy. Lamps, LED modules and luminaires have therefore been redefined and recategorized. The EU now distinguishes between “light sources”, “separate control gear” and “containing products”.

LEDVANCE luminaires are generally classified as containing products and have not had to carry an energy label since December 25th, 2019.

### LIGHT SOURCES

“Light sources” are electrically operated products that emit white light and meet certain technical criteria, irrespective of whether they are lamps, LED modules, or luminaires with fully integrated components. They must all comply with the requirements of the SLR and ELR regulations.



### CONTAINING PRODUCTS

“Containing products” include luminaires and other equipment, that contain light sources, which can be removed without permanent damage to the light source using commonly available tools. Containing products are exempt from the SLR/ELR regulations and therefore do not have to display an energy label.



### MEETING REQUIREMENTS – AND EXCEEDING THEM

A very large proportion of LEDVANCE products already meet the requirements of the new ecodesign regulation. We will of course always ensure that we supply you exclusively with products that conform to the regulation.

**We are also committed to not only meeting the requirements but exceeding them, even under the new framework conditions.**

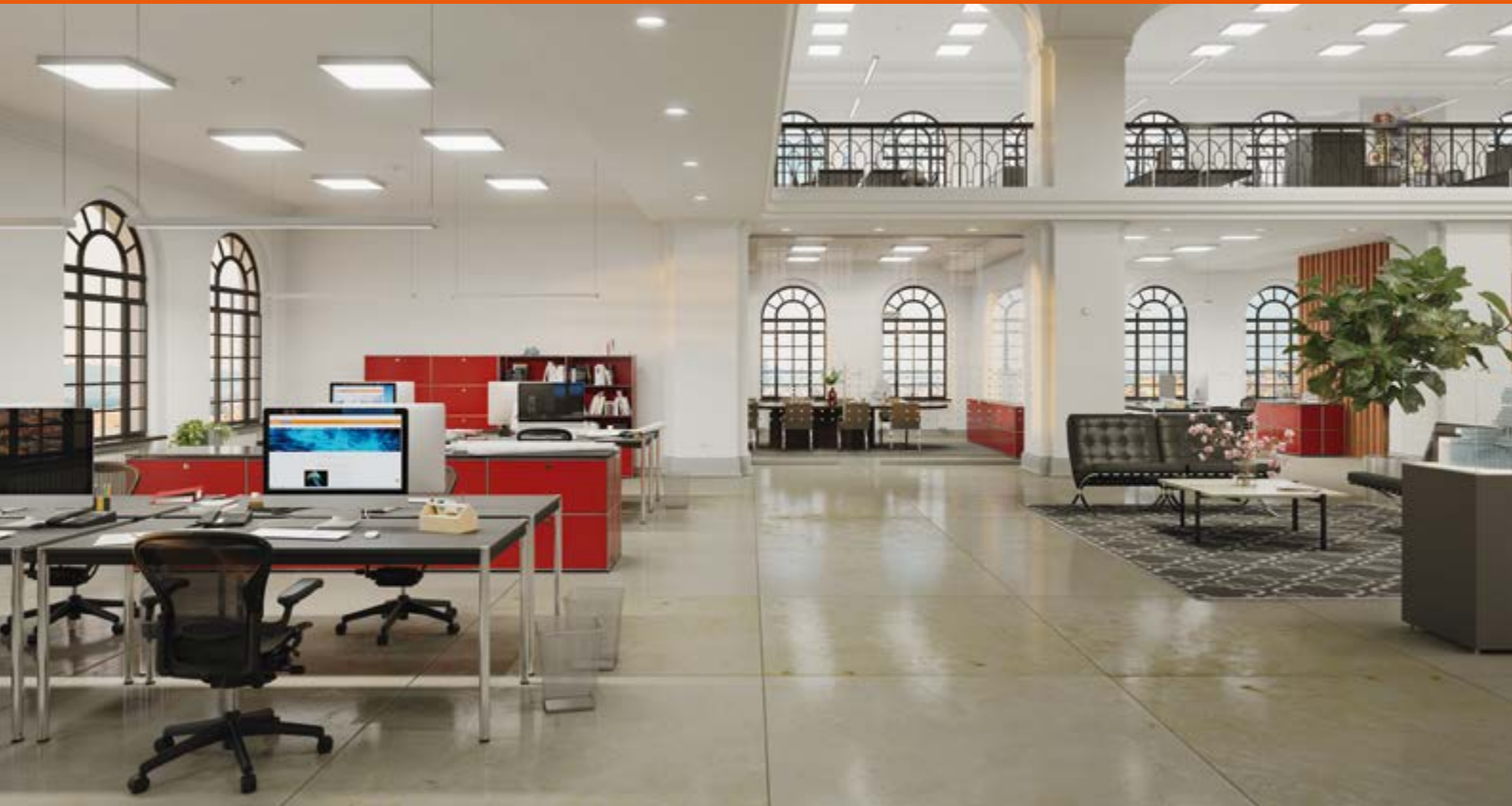
### YOU ASK THE QUESTIONS – WE HAVE THE ANSWERS

Would you like more information on SLR/ELR or have questions about specific light sources? The experts in our technical team are happy to advise you. You can reach our team by email at [technik@ledvance.com](mailto:technik@ledvance.com) or by phone on +49 89 780673-680.

Further information from LEDVANCE on the impact of SLR & ELR regulations can be found in our new dedicated flyer and at our website: [ledvance.com/slr-elr](http://ledvance.com/slr-elr)

# VIVARES: LIGHT MANAGEMENT, M

VIVARES, the future-proof IoT light management system (LMS) from LEDVANCE, brings light to life. It makes it easier and more flexible than ever to always produce optimum lighting conditions for defined requirements. The system is suitable for all office solutions and is extremely reliable and compatible. LEDVANCE offers you everything from one source: all LMS components and matching LED luminaires.

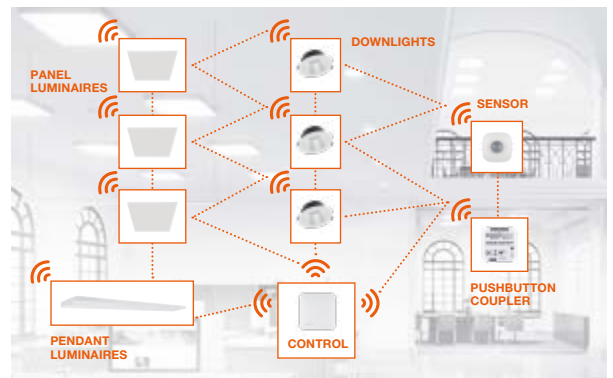


## WIRELESS, MODERN, FLEXIBLE: VIVARES ZIGBEE

YOUR IDEAL SOLUTION IF YOU CAN'T MAKE TOO MANY STRUCTURAL CHANGES AND/OR ARE LOOKING FOR FLEXIBLE ROOM SITUATIONS.

The wireless VIVARES Zigbee system is ideal for modernizing existing buildings where rewiring is often not an option. If a building is listed or has no suspended ceilings, you will need products that require no additional control lines. Even in situations where the distribution of light needs changing more often, VIVARES Zigbee is the perfect choice because the system is easy to adapt.

LEDVANCE offers you the necessary components and a well-assorted selection of compatible LED luminaires which allow the VIVARES Zigbee system to provide energy-saving lighting in existing buildings. As an option, the system can be connected to a cloud application to generate maintenance and energy consumption reports.



**VIVARES Zigbee in an existing building:** panel luminaires, downlights and pendant luminaires are wirelessly connected to the VIVARES Zigbee controller and sensors.



# MORE COMFORTABLE THAN EVER

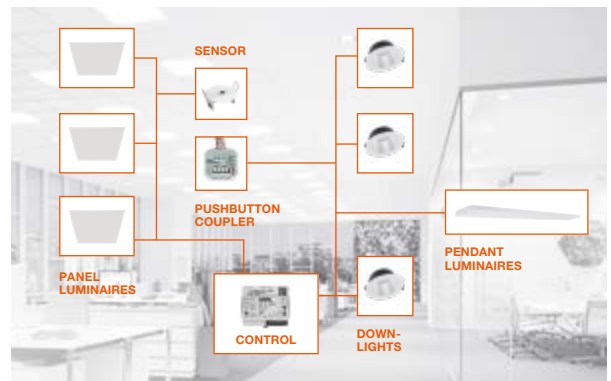
Another advantage of the portfolio is its great flexibility. Whether you go for the wireless option via VIVARES Zigbee or the wired version based on DALI technology, we always have the right solution for you and support you every step of the way. But what you can expect from both technologies is that they are extremely comfortable and easy to install by anyone.

## WIRED INDUSTRY STANDARD REDEFINED: VIVARES DALI

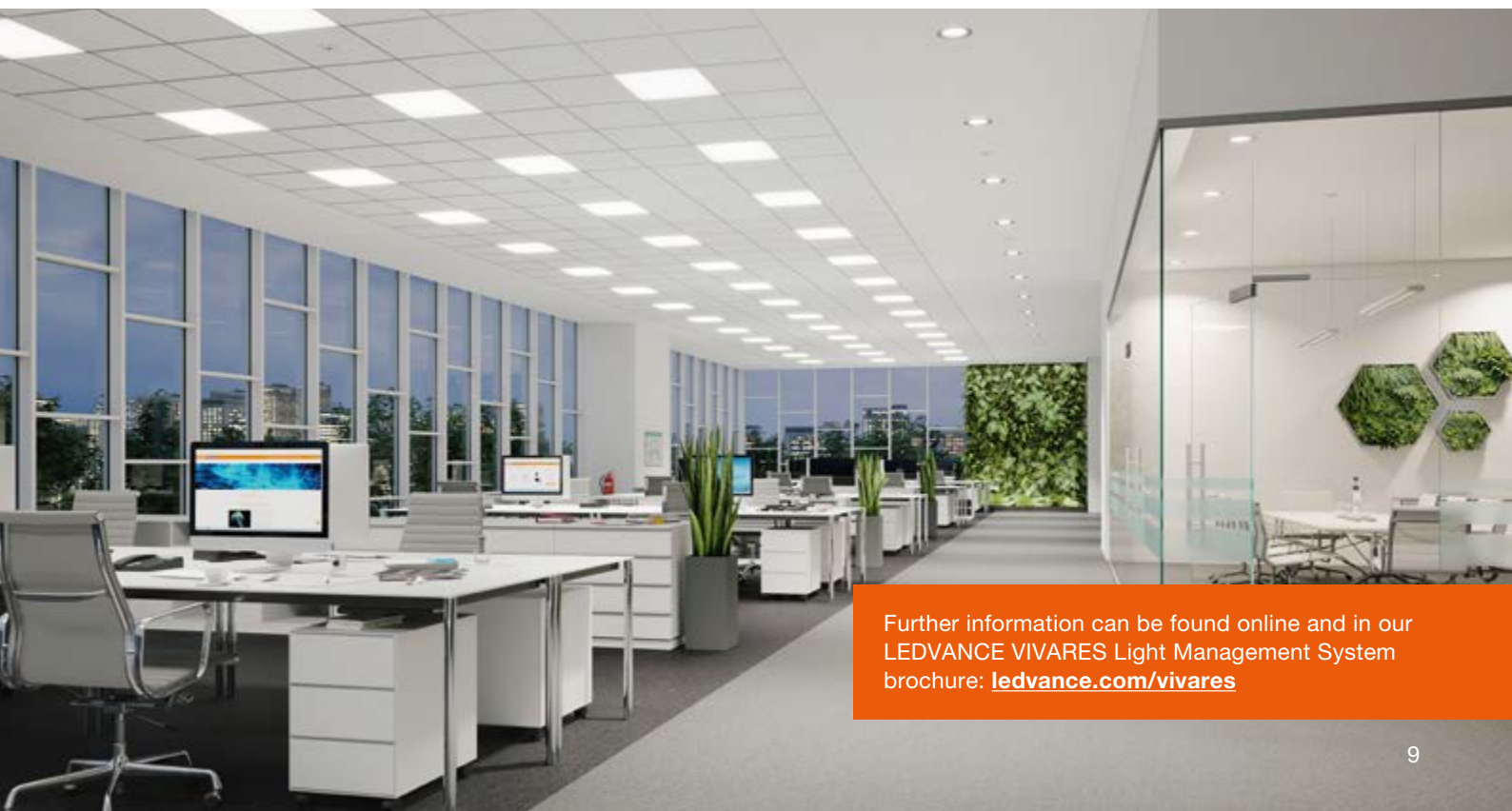
VIVARES DALI IS IDEAL FOR NEW BUILDINGS AND RENOVATIONS, WITH ROOM FOR ADDITIONAL CONTROL LINES.

The system is suitable if the control lines can be wired and the requirements for assigning the light distribution are long-term. All VIVARES DALI products are DALI-2-certified and technically matched to perfection. Since this is an open system, it is also compatible with other DALI-2 products.

Commissioning is simple and self-explanatory via a browser-based commissioning tool. And of course VIVARES DALI is also ready for the Internet of Things (IoT) – and therefore capable of generating maintenance and energy consumption reports via the VIVARES Cloud.



**VIVARES DALI in a new office building:** panel luminaires and downlights are integrated into the suspended ceilings and, using cables, are connected to the LMS components such as sensors. Additionally, pendant luminaires were installed in the conference room.



Further information can be found online and in our LEDVANCE VIVARES Light Management System brochure: [ledvance.com/vivares](http://ledvance.com/vivares)



# LEDVANCE BIOLUX: FOCUSING ON PEOPLE WITH HUMAN CENTRIC LIGHTING

Offices with little daylight, dark meeting rooms and artificial light until late at night – this is typical of modern working conditions. But light is essential and one of the most important sources – for our well-being, performance and satisfaction. A lack of daylight can cause serious disruption to our day/night rhythm (our “inner clock”), and massive degradation in our performance and overall well-being. Human centric lighting (HCL) is all about this biological effect of light. Lighting solutions for modern work environments must be designed to promote creative thinking and high levels of concentration at desks, in service sectors and in factories. Human centric lighting places the focus on people and their need for natural

light. Flexible, stimulating and effective. It creates a working environment that simulates the changes in natural daylight with its visual, biological and emotional effects. Through color temperatures and illuminance levels, human centric lighting provides positive support for the human circadian rhythm. A neutral or cold white light color, for example, can energize in the morning. Warm white light is relaxing and ideal for the evening.

With the HCL system BIOLUX from LEDVANCE we are opening up completely new opportunities for you and your customers.

## REFERENCE PROJECT



**PROJECT:** Upgrading to a BIOLUX HCL system in the training rooms of the Schleswig District Craftsmen’s Association, Germany

**APPLICATION:** Educational establishment, lighting of training rooms

**TECHNOLOGY:** LED technology, human centric lighting

**LEDVANCE PRODUCTS:** BIOLUX HCL Panel 625 43 W, BIOLUX HCL Control Unit

The new BIOLUX HCL system was installed at the Schleswig District Craftsmen’s Association in 3 classrooms by directly replacing the existing T8 fluorescent lamp lighting system. The retrofit installation of 90 LED panels and commissioning of the system was so easy that it was carried out by trainees of the electrical engineering department themselves. Being intelligently controlled the system now provides better quality of light in the training rooms and can be intuitively adapted to the training situation. As a result, the individually adjustable light profiles support training in a concentration-enhancing manner and help to keep the trainees motivated.

**LEDVANCE BIOLUX HCL-SYSTEM**

BIOLUX is the innovative HCL system from LEDVANCE. With the help of an intelligent algorithm, it automatically adjusts the artificial light to simulate the changes in natural daylight – accurate for the time of day and the location – to produce the best possible biological effect. Changes in color temperatures and lighting levels support our natural bio-rhythms.

**THE SMART ENTRY-LEVEL HCL-SYSTEM**

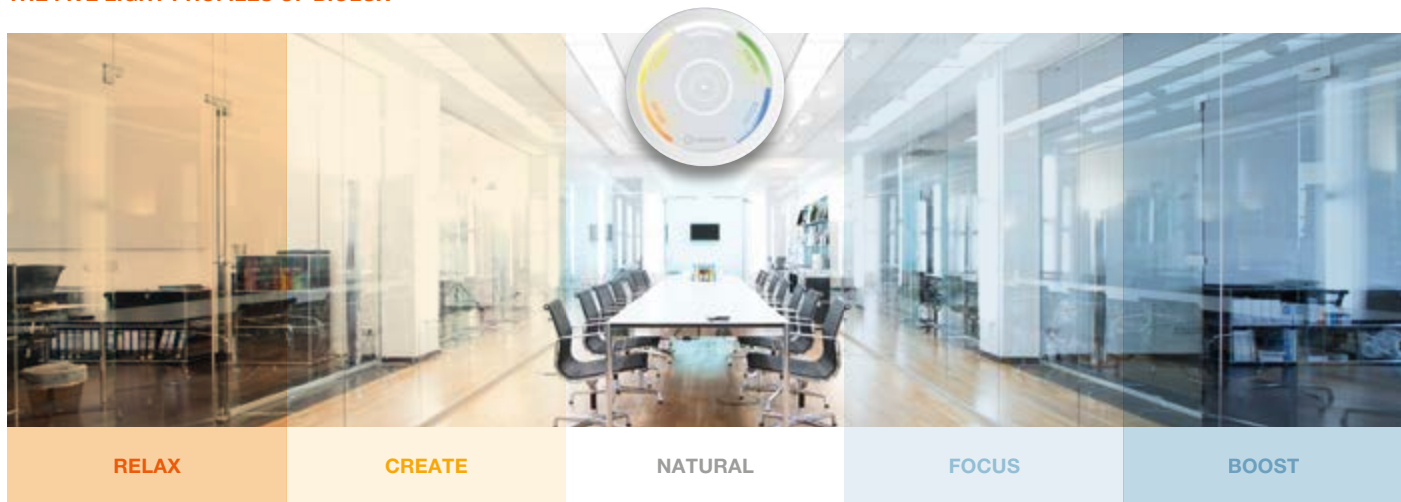
BIOLUX consists of two components: the BIOLUX control unit and the BIOLUX LED luminaires which communicate with each other wirelessly via the ZigBee protocol. Operation is intuitive. Pre-programmed light profiles can be set at the control unit in no time at all, with five manually adjustable modes being available, suitable for any work situation (see diagram). And BIOLUX is so easy to install as there is no need for wiring or configuration.

**WINNER OF DESIGN, FUNCTION & INNOVATION AWARDS:**



reddot winner 2020

**THE FIVE LIGHT PROFILES OF BIOLUX**



E.g. during breaks in meetings

Creativity in workshops, e.g. in brainstorming sessions

Default setting

Enhanced concentration, e.g. in meetings

Highest concentration for highly detailed and particularly demanding tasks

**THE BIOLUX COMPONENTS**



BIOLUX CONTROL UNIT



BIOLUX HCL DOWNLIGHT



BIOLUX HCL PANEL



BIOLUX HCL LED STRIP KIT

BIOLUX is ideal for single room solutions with up to 20 luminaires<sup>1</sup> – such as meeting rooms or offices with little or no daylight.

You will find more information at [hcl.ledvance.com](http://hcl.ledvance.com) or in our flyer on human centric lighting.

<sup>1</sup> Higher number of luminaires on request



# OFFICE LIGHT AS A FACTOR FOR SUCCESS



**DOWNLIGHT COMFORT**  
Page 22



**DOWNLIGHT UGR19**  
Page 20



**PANEL PERFORMANCE**  
Page 74



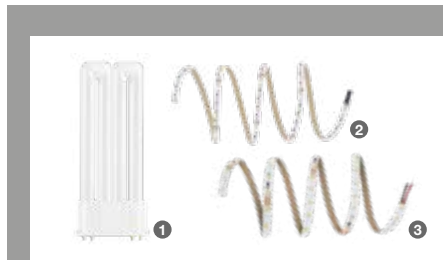
**LINEAR INDIVILED**  
Page 92



**PANEL INDIVILED**  
Page 70



**PANEL DIRECT/INDIRECT**  
Page 86



#### THE RIGHT LAMPS AND LED STRIPS:

From the ultra-low-profile OSRAM DULUX F **1** full glass LED lamp featuring excellent luminous efficacy all the way to the flexible LED STRIP PERFORMANCE RGBW **2** and WHITE **3**, LEDVANCE offers you tailored lighting solutions for large and small offices.

## REFERENCE PROJECT



**PROJECT:** SIEMENS Campus, Erlangen, Germany

**APPLICATION:** Lighting of meeting rooms and open-plan offices

**TECHNOLOGY:** LED technology

**LEDVANCE PRODUCTS:** Linear IndiviLED Direct/Indirect DALI Sensor, Panel Direct/Indirect DALI

When it came to selecting luminaires for the SIEMENS Campus in Erlangen, the existing suspended ceilings were a particular challenge. The LEDVANCE Linear IndiviLED Direct/Indirect DALI Sensor and Panel Direct/Indirect DALI luminaires were chosen as they offer excellent light comfort with direct/indirect beam characteristic, good glare reduction ( $UGR \leq 19$ ), low maintenance and low operating costs. What's more, brightness is kept at a consistent 500 lux in compliance with relevant standards. The luminaires blend into the building design perfectly and, thanks to integrated presence detection, offer optimum efficiency.

# INDUSTRY LIGHT MAKES HARD WORK EASIER



**DAMP PROOF  
COMPACT IP66**  
Page 132



**TRUSYS  
PERFORMANCE**  
Page 112



**HIGH BAY**  
Page 148



**HIGH BAY  
REFLECTOR**  
Page 150



**DAMP PROOF  
SPECIAL**  
Page 138



**LINEAR ULTRA  
OUTPUT**  
Page 102



#### THE RIGHT LED TUBES:

SUBSTITUBE PRO EM LED <sup>1</sup> tubes are shatterproof, highly efficient and durable. They replace conventional fluorescent tubes and are suitable for use even in adverse conditions such as in cold stores and warehouses.

#### REFERENCE PROJECT



**PROJECT:** EHH Car Center, Ludwigsfelde, Germany

**APPLICATION:** Lighting of workshops, repair bays, offices and consulting areas

**TECHNOLOGY:** LED technology

**LEDVANCE PRODUCTS:** Spot Adjust, Panel 625, Panel 1200, Downlight, Damp Proof, Surface Compact Sensor, Floodlight, SubstiTUBE Advanced T8 EM UO, HQL LED Pro

The EHH car center in Ludwigsfelde near Berlin, Germany completely upgraded its lighting to LED technology from LEDVANCE. Among other replacements, more than 600 conventional fluorescent lamps were replaced by SubstiTUBE Advanced T8 LED tubes. A wide range of LED luminaires were also installed to match the spatial requirements. The result: Significantly improved quality of light and annual energy consumption from lighting was reduced by around 63 %.

# PARKING LIGHT MEANS SAFETY & SECURITY



**DAMP PROOF HOUSING**  
Page 140



**FLOODLIGHT PERFORMANCE**  
Page 174



**DAMP PROOF**  
Page 134



**FLOODLIGHT SENSOR**  
Page 162



**SURFACE BULKHEAD**  
Page 62



**STREETLIGHT FLEX SMALL**  
Page 182



**THE RIGHT LED TUBES, HQL LED LAMPS AND LED STRIPS:**

For indoor parking, LEDVANCE offers the SUBSTITUBE CONNECTED ADVANCED ULTRA OUTPUT **1** together with the CONNECTED SENSOR **2**. Efficient, high-output HQL LED PRO lamps **3** are ideal for outdoor use. And for both applications, LED STRIP PERFORMANCE PROTECTED **4** provides great design freedom.

**REFERENCE PROJECT**



**PROJECT:** Tirol Kliniken, Innsbruck, Austria

**APPLICATION:** Lighting of underground garages

**TECHNOLOGY:** LED technology

**LEDVANCE PRODUCTS:** LED Damp Proof

In the underground garages of the Medical Center and Surgery West the former luminaires equipped with fluorescent tubes were replaced by new 30 watt LED Damp Proof luminaires. Due to their robust design with an IP65 protection rating and IK08 impact resistance these are not only ideal for use in damp and dusty environments, but their beam angle of 105 degrees also ensures homogenous uniform light giving a greater feeling of safety for employees and visitors.

# SHOP

## AESTHETIC ILLUMINATION MEETS FUNCTIONALITY



**TRACKLIGHT SPOT**  
Page 50



**SPOT VARIO**  
Page 30



**SPOT MULTI**  
Page 32



**TRUSYS**  
Page 122



**TRACKLIGHT SPOT ZOOM DIM**  
Page 48



**TRACKLIGHT SPOT COMPACT**  
Page 46



### THE RIGHT LED REFLECTOR AND TUBE LAMPS AS WELL AS LED STRIPS:

LEDVANCE lighting solutions – including fully dimmable PARATHOM PRO LED reflector lamps **1**, flexible LED STRIP SUPERIOR TUNABLE WHITE **2** lights and SUBSTITUBE FOOD LED **3** tubes for food retailers – present all your merchandise in the best light.

### REFERENCE PROJECT



**PROJECT:** Noleggio by Maestri ski equipment rental and sales shop, Passo del Tonale, Italy

**APPLICATION:** Lighting of showroom, rental and access area, lockers and dressing rooms

**TECHNOLOGY:** LED technology

**LEDVANCE PRODUCTS:** Tracklight Spot 35 W/4000 K, Downlight Comfort 20 W

Using 104 Tracklight Spot LEDs and different reflectors on ceiling tracks, LEDVANCE has provided accent lighting that attracts customers and guides them through the shop, and also highlights the merchandise with excellent color rendering. Downlight Comfort luminaires are used for basic functional lighting. Since their light color can be easily switched between 3,000, 4,000 and 5,700 Kelvin, every area of the shop can now be illuminated with optimum light.

# LUMINAIRE VARIETY COMES SEGMENTATION OF PRODUCTS

Your work involves everything from simple lighting tasks to the most complex and demanding – and it is precisely this bandwidth that is covered by LEDVANCE’s luminaire portfolio. To ensure that you always keep track of all this variety and quickly find the most suitable product, we have divided our luminaires into three segments: Superior Class, Performance Class and Value Class. With the help of consistent color coding and clear labeling you can immediately see in the catalog and also on the packaging which of the three segments a luminaire belongs to. So you can easily meet the needs of your customers – today and tomorrow.



Clear color coding on the new sustainable packaging will help you keep track of the products and quickly identify the right product for the job.

Sample packaging

**SEGMENTATION CLASSES:**





# IN THREES:



## SUPERIOR CLASS

Sometimes only the best will do. The LEDVANCE Superior Class range comprises premium products that set standards in technology, quality and design. These top-of-the-line products are impressive in every respect and are the right choice for realizing particularly demanding, prestigious projects with special lighting requirements.



## PERFORMANCE CLASS

In the LEDVANCE Performance Class you will find a reliable solution for the majority of your lighting tasks. Our core portfolio includes a wide range of high-quality, demand-oriented luminaires with excellent performance in terms of lifetime, efficiency, material and quality of light. Features such as easy installation, DALI versions and comprehensive guarantees add value.



## VALUE CLASS


High performance at an attractive price – that's what the LEDVANCE Value Class is about. The luminaires in this range are characterized by a standard lifetime, efficiency and quality of light, making them the right choice for everyday installation needs and projects where, in addition to reliability, the focus is on cost-effectiveness in particular. Additional features such as DALI extend the range of applications in this class.

LEDVANCE LED LUMINAIRES | SPOTLIGHTS

## SPOTLIGHTS

IMPRESSIVE ALL ROUND: OUR SPOTLIGHTS


**SPOT VARIO**  
Page 28



**VERSATILE SWIVEL SPOTLIGHT FOR THE RETAIL AREA**

- Ideal for accent lighting thanks to highly flexible tilt and swivel capability
- Easy replacement of the external driver thanks to plug with bayonet connection
- Low-flicker light <10%


**SPOT MULTI**  
Page 28



**POWERFUL MULTI-SPOTLIGHT WITH GIMBAL**

- Low-flicker light <10%
- Flexible application thanks to excellent anti-glare properties USPC-16
- Light-proof housing


**SPOT SQUARE ADJUST**  
Page 30



**Attractive square spotlight**

- Cut-off angle for good glare reduction and high visual comfort
- Energy savings of up to 90% compared with halogen lamp spotlights
- Housing made of die-cast aluminum for improved heat dissipation


**SPOT ROUND ADJUST**  
Page 32



**ADJUSTABLE REPLACEMENT FOR HALOGEN SPOTLIGHT**

- Extended range of applications through versions with DALI or switchable driver
- Energy savings of up to 90% compared with halogen lamp spotlights
- Simple installation for 3–20 mm ceiling thickness


**SPOT ROUND FIX**  
Page 34



**SPOT DIM**  
**SPOT FIREPROOF FIX**  
**SPOT FIREPROOF DIM**  
**SPOT FIREPROOF**  
**SPOT DIMMABLE LIGHT**

**VERSATILE FAMILY**

**SPOT KIT**  
Page 25



Product name	Segmentation
SPOT MULTI 1 x 30W 3000K FL WT/BK	■
SPOT MULTI 1 x 30W 4000K FL WT/BK	■
SPOT MULTI 2 x 30W 3000K FL WT/BK	■
SPOT MULTI 2 x 30W 4000K FL WT/BK	■
SPOT MULTI 3 x 30W 3000K FL WT/BK	■
SPOT MULTI 3 x 30W 4000K FL WT/BK	■

### KEEPING TRACK – FINDING YOUR WAY AROUND THE BROCHURE AND RANGE

The clear segmentation of the LEDVANCE luminaire portfolio is also reflected in the introductory pages of each chapter and the product pages of this brochure. Each product class has been assigned a color that you can find throughout the catalog. This makes finding suitable luminaires easier and faster than ever.

**GO ON, GIVE IT A TRY!**

# DOWNLIGHTS

## OUR CHAMPIONS FOR HOMOGENEOUS GENERAL LIGHTING

### DOWNLIGHT UGR19



Page 20

PERFORMANCE CLASS



#### DOWNLIGHT UGR19

- Good glare reduction (UGR < 19) and cut-off angle up to 30° for comfortable indoor lighting
- Easy and quick installation thanks to connector box with 5-pole toolless terminal
- Low-flicker light < 10 %

### DOWNLIGHT COMFORT



Page 22

PERFORMANCE CLASS



#### 3-IN-1 CCT, LOW UGR VALUE

- Three light colors in one luminaire: warm white 3,000 K, neutral white 4,000 K and cold white 5,700 K
- Good glare reduction (UGR ≤ 22)
- Simple connection thanks to plug-in terminal



3000K

4000K

5700K

### ONE LUMINAIRE, THREE OPTIONS

On the **Downlight Comfort** you can switch between three light colors (3,000/4,000/ 5,700 K)

**An additional advantage ...**  
... is that wholesalers and installers can minimize their stock risks because they always have a luminaire with the right light color in stock.

### DOWNLIGHT ALU



Page 24

DOWNLIGHT ALU  
DOWNLIGHT ALU DALI

VALUE CLASS



#### NEW GENERATION, NOW IP44

- Suitable for use in dusty and humid environments thanks to higher IP rating
- Wide range of applications thanks to a large variety of versions
- Up to 60 % energy savings compared with luminaires that use compact fluorescent lamps

### DOWNLIGHT SLIM ALU



Page 26

VALUE CLASS



#### LOW IN HEIGHT AND PRICE

- Extremely small mounting depth due to very low-profile housing
- Up to 60 % energy savings compared with luminaires that use compact fluorescent lamps
- External driver for easy replacement (included)



## DOWNLIGHT UGR19

Downlights with low glare and low flicker



### PRODUCT FEATURES

- Housing Material: aluminium with mirror-finished reflector
- Type of protection: IP54 (room side) / IP20 (back side)
- Through wiring possible
- Luminaire available with on/off driver, DALI 2.0 IoT driver or Zigbee 3.0
- Connector box with push wire terminal for tool-free connection

### PRODUCT BENEFITS

- Good glare reduction (UGR <19) and cut-off angle up to 30° for comfortable indoor lighting
- Easy and quick installation thanks to connector box with 5-pole toolless terminal
- Low-flicker light
- Suitable for use in dusty and humid environments thanks to high IP rating
- 5 years guarantee

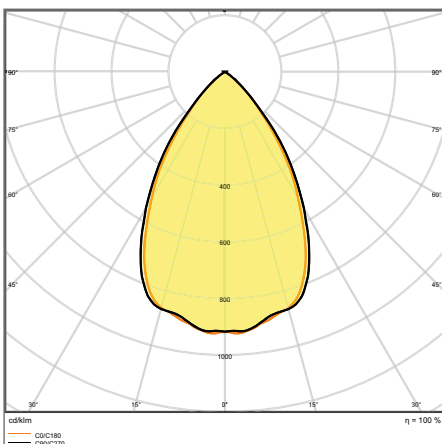
### AREAS OF APPLICATION

- Suitable for office applications, especially for computer screen workplaces
- Direct replacement for luminaires with compact fluorescent lamps
- Entrances / Hallways
- Bathrooms, kitchens and sheltered outdoor areas
- General illumination

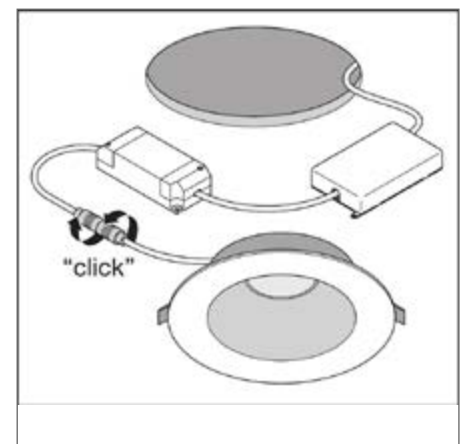
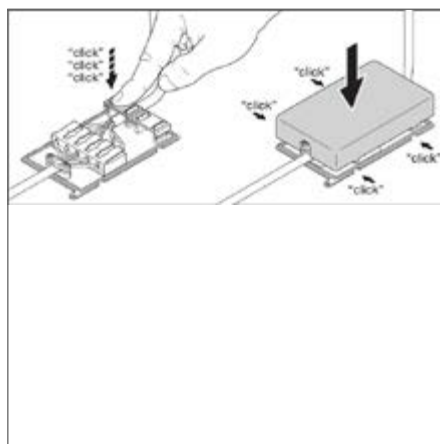
### EQUIPMENT / ACCESSORIES

- External control gear included

## FURTHER PRODUCT DETAILS





DL UGR19 PFM DN195 21 W 840 WT IP54



<sup>1</sup> Refer to [www.ledvance.com/guarantee](http://www.ledvance.com/guarantee) for precise conditions

The pictures shown in the catalog are for illustration purposes only. For information on size and color, please refer to the product table.

Product name	Segmentation	GTIN (EAN)	W	lm	lm/W	K	L70	L80 <sup>1</sup>		
DL UGR19 PFM DN155 14 W 830 WT IP54	■	4058075459137	14	1500	105	3000	70000	60000	65	-
DL UGR19 PFM DN155 14 W 840 WT IP54	■	4058075459151	14	1600	115	4000	70000	60000	65	-
DL UGR19 PFM DN195 21 W 830 WT IP54	■	4058075459250	21	2400	115	3000	70000	60000	65	-
DL UGR19 PFM DN195 21 W 840 WT IP54	■	4058075459274	21	2520	120	4000	70000	60000	65	-
DL UGR19 PFM DN155 14 W 830 WT IP54 DALI	■	4058075459298	14	1500	105	3000	70000	60000	65	DALI
DL UGR19 PFM DN155 14 W 840 WT IP54 DALI	■	4058075459311	14	1600	115	4000	70000	60000	65	DALI
DL UGR19 DN155 PFM 14 W-840 ZBVR WT	■	4058075459892	14	1600	115	4000	70000	60000	65	Zigbee
DL UGR19 PFM DN195 21 W 830 WT IP54 DALI	■	4058075459830	21	2400	115	3000	70000	60000	65	DALI
DL UGR19 PFM DN195 21 W 840 WT IP54 DALI	■	4058075459854	21	2520	120	4000	70000	60000	65	DALI
DL UGR19 DN195 PFM 21 W-840 ZBVR WT	■	4058075459397	21	2520	120	4000	70000	60000	65	Zigbee



Product name	CRI	UGR	FLICKER VALUE		L x W x H [mm] Ø x H [mm]
DL UGR19 PFM DN155 14 W 830 WT IP54	≥80	<19	<10 %	155	180 x 65
DL UGR19 PFM DN155 14 W 840 WT IP54	≥80	<19	<10 %	155	180 x 65
DL UGR19 PFM DN195 21 W 830 WT IP54	≥80	<19	<10 %	195	220 x 82
DL UGR19 PFM DN195 21 W 840 WT IP54	≥80	<19	<10 %	195	220 x 82
DL UGR19 PFM DN155 14 W 830 WT IP54 DALI	≥80	<19	<10 %	155	180 x 65
DL UGR19 PFM DN155 14 W 840 WT IP54 DALI	≥80	<19	<10 %	155	180 x 65
DL UGR19 DN155 PFM 14 W-840 ZBVR WT	≥80	<19	≤10 %	155	180 x 65
DL UGR19 PFM DN195 21 W 830 WT IP54 DALI	≥80	<19	<10 %	195	220 x 82
DL UGR19 PFM DN195 21 W 840 WT IP54 DALI	≥80	<19	<10 %	195	220 x 82
DL UGR19 DN195 PFM 21 W-840 ZBVR WT	≥80	<19	≤10 %	195	220 x 82

<sup>1</sup> t [h]: L70/B50 @ 25 °C (Ta) / t [h]: L80/B10 @ 25 °C (Ta)

## DOWNLIGHT COMFORT

Downlights with adjustable white light colors



### PRODUCT FEATURES

- Material: Aluminium (Housing), Polycarbonate (Diffuser)
- Three light colors selectable via slide switch
- Type of protection: IP54 (room side)
- Through wiring possible

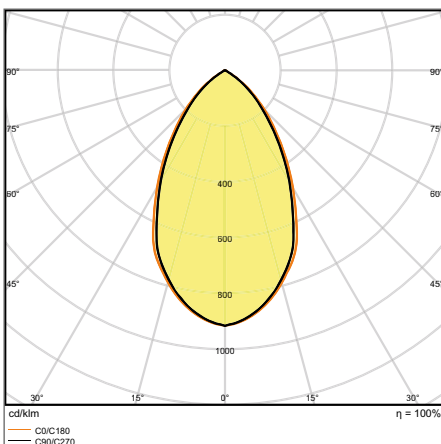
### PRODUCT BENEFITS

- Three light colors in one luminaire: warm white 3000 K, daylight white 4000 K, cold white 5700 K
- Good glare reduction (UGR  $\leq 22$ )
- Easy connection thanks to push terminal
- Suitable for use in dusty and humid environments thanks to high IP rating
- 5 years guarantee

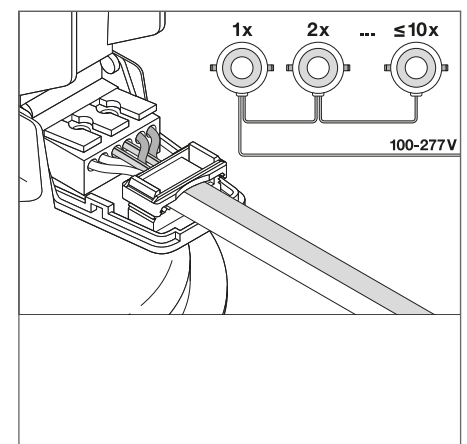
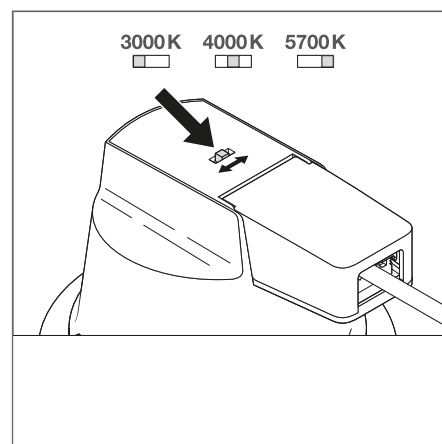
### AREAS OF APPLICATION

- Direct replacement for luminaires with compact fluorescent lamps
- General illumination
- Bathrooms, kitchens and sheltered outdoor areas
- Offices
- Corridors

## FURTHER PRODUCT DETAILS



DL COMFORT DN 130 13 W 3CCT IP54 WT



<sup>1</sup> Refer to [www.ledvance.com/guarantee](http://www.ledvance.com/guarantee) for precise conditions

The pictures shown in the catalog are for illustration purposes only. For information on size and color, please refer to the product table.

Product name	Segmentation	GTIN (EAN)	RE- PLACE- MENT FOR	W	lm	lm/W	K	L70 <sup>1</sup>	L80 <sup>1</sup>	°
DL COMFORT DN 130 13 W 3CCT IP54 WT	■	4058075104068	1x18W CFLi	13	1030...1210	85	3000...5700	50000	43000	60
DL COMFORT DN 155 18 W 3CCT IP54 WT	■	4058075104082	2x18W CFLi	18	1040...1620	85	3000...5700	50000	43000	60
DL COMFORT DN 205 20 W 3CCT IP54 WT	■	4058075104105	2x26W CFLi	20	1720...1930	90	3000...5700	50000	43000	60



Product name	CRI	∠	L x W x H [mm] ∅ x H [mm]
DL COMFORT DN 130 13 W 3CCT IP54 WT	>80	130	145x82
DL COMFORT DN 155 18 W 3CCT IP54 WT	>80	155	172x95
DL COMFORT DN 205 20 W 3CCT IP54 WT	>80	205	228x98

<sup>1</sup> t [h]: L70/B50 @ 25 °C (Ta) / t [h]: L80/B10 @ 25 °C (Ta)

## DOWNLIGHT ALU

Downlight luminaires with aluminum housing



### PRODUCT FEATURES

- Housing material: aluminum
- Diffuser made of opal polycarbonate
- Type of protection, front side: IP44
- Luminaire available as switchable and DALI versions

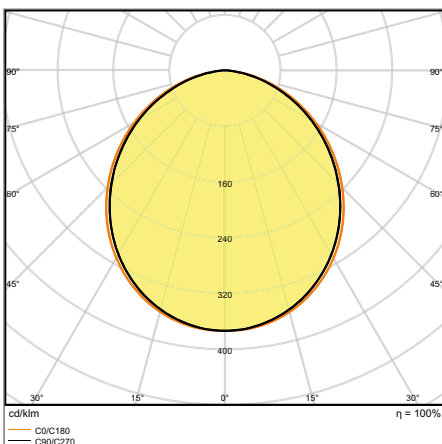
### PRODUCT BENEFITS

- Suitable for use in dusty and humid environments thanks to high IP rating
- Wide range of applications thanks to a large variety of versions
- Energy savings of up to 60 % compared to luminaires that use CFL
- Up to 5 years guarantee

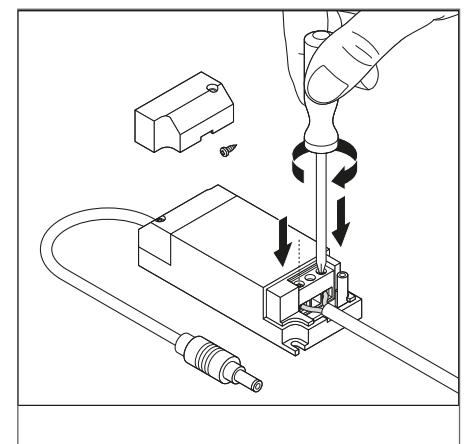
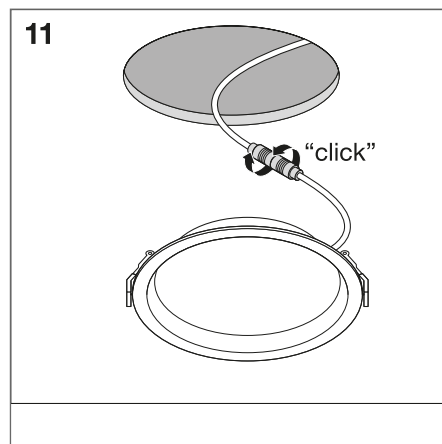
### AREAS OF APPLICATION

- Direct replacement for luminaires with compact fluorescent lamps
- General illumination
- Public areas
- Stairways
- Corridors

## FURTHER PRODUCT DETAILS



DL ALU DALI DN 200 35 W 6500 K  
IP44/IP20 WT



<sup>1</sup> The ENEC and TÜV certifications apply exclusively to the switchable versions of the luminaire family, DALI versions are excepted.

<sup>2</sup> Refer to [www.ledvance.com/guarantee](http://www.ledvance.com/guarantee) for precise conditions

The pictures shown in the catalog are for illustration purposes only. For information on size and color, please refer to the product table.



## DOWNLIGHT ALU

Downlight luminaires with aluminum housing

Product name	Segmentation	GTIN (EAN)	RE-PLACEMENT FOR	W	lm	lm/W	K	L70	L80		
DL ALU DN 150 14 W 3000 K IP44/IP20 WT	■	4058075091436	1x26W CFLi	14	1190	85	3000	50000	45000	100	-
DL ALU DN 150 14 W 4000 K IP44/IP20 WT	■	4058075091450	1x26W CFLi	14	1260	90	4000	50000	45000	100	-
DL ALU DN 150 14 W 6500 K IP44/IP20 WT	■	4058075091474	1x26W CFLi	14	1330	95	6500	50000	45000	100	-
DL ALU DN 200 25 W 3000 K IP44/IP20 WT	■	4058075091498	2x26W CFLi	25	2250	90	3000	50000	45000	100	-
DL ALU DN 200 25 W 4000 K IP44/IP20 WT	■	4058075091511	2x26W CFLi	25	2370	95	4000	50000	45000	100	-
DL ALU DN 200 25 W 6500 K IP44/IP20 WT	■	4058075091535	2x26W CFLi	25	2370	95	6500	50000	45000	100	-
DL ALU DN 200 35 W 3000 K IP44/IP20 WT	■	4058075091559	2x42W CFLi	35	2975	85	3000	50000	45000	100	-
DL ALU DN 200 35 W 4000 K IP44/IP20 WT	■	4058075091573	2x42W CFLi	35	3150	90	4000	50000	45000	100	-
DL ALU DN 200 35 W 6500 K IP44/IP20 WT	■	4058075091597	2x42W CFLi	35	3150	90	6500	50000	45000	100	-
DL ALU DALI DN 150 14 W 3000 K IP44/IP20 WT	■	4058075202610	1x26W CFLi	14	1190	85	3000	50000	45000	100	DALI
DL ALU DALI DN 150 14 W 4000 K IP44/IP20 WT	■	4058075202634	1x26W CFLi	14	1260	90	4000	50000	45000	100	DALI
DL ALU DALI DN 150 14 W 6500 K IP44/IP20 WT	■	4058075202658	1x26W CFLi	14	1330	95	6500	50000	45000	100	DALI
DL ALU DALI DN 200 25 W 3000 K IP44/IP20 WT	■	4058075091610	2x26W CFLi	25	2250	90	3000	50000	45000	100	DALI
DL ALU DALI DN 200 25 W 4000 K IP44/IP20 WT	■	4058075091634	2x26W CFLi	25	2370	95	4000	50000	45000	100	DALI
DL ALU DALI DN 200 25 W 6500 K IP44/IP20 WT	■	4058075091658	2x26W CFLi	25	2370	95	6500	50000	45000	100	DALI
DL ALU DALI DN 200 35 W 3000 K IP44/IP20 WT	■	4058075091672	2x42W CFLi	35	2975	85	3000	50000	45000	100	DALI
DL ALU DALI DN 200 35 W 4000 K IP44/IP20 WT	■	4058075091696	2x42W CFLi	35	3150	90	4000	50000	45000	100	DALI
DL ALU DALI DN 200 35 W 6500 K IP44/IP20 WT	■	4058075091719	2x42W CFLi	35	3150	90	6500	50000	45000	100	DALI



Product name	CRI		L x W x H [mm] Ø x H [mm]
DL ALU DN 150 14 W 3000 K IP44/IP20 WT	>80	150	160 x 52
DL ALU DN 150 14 W 4000 K IP44/IP20 WT	>80	150	160 x 52
DL ALU DN 150 14 W 6500 K IP44/IP20 WT	>80	150	160 x 52
DL ALU DN 200 25 W 3000 K IP44/IP20 WT	>80	200	215 x 61
DL ALU DN 200 25 W 4000 K IP44/IP20 WT	>80	200	215 x 61
DL ALU DN 200 25 W 6500 K IP44/IP20 WT	>80	200	215 x 61
DL ALU DN 200 35 W 3000 K IP44/IP20 WT	>80	200	215 x 61
DL ALU DN 200 35 W 4000 K IP44/IP20 WT	>80	200	215 x 61
DL ALU DN 200 35 W 6500 K IP44/IP20 WT	>80	200	215 x 61
DL ALU DALI DN 150 14 W 3000 K IP44/IP20 WT	>80	150	160 x 52
DL ALU DALI DN 150 14 W 4000 K IP44/IP20 WT	>80	150	160 x 52
DL ALU DALI DN 150 14 W 6500 K IP44/IP20 WT	>80	150	160 x 52
DL ALU DALI DN 200 25 W 3000 K IP44/IP20 WT	>80	200	215 x 61
DL ALU DALI DN 200 25 W 4000 K IP44/IP20 WT	>80	200	215 x 61
DL ALU DALI DN 200 25 W 6500 K IP44/IP20 WT	>80	200	215 x 61
DL ALU DALI DN 200 35 W 3000 K IP44/IP20 WT	>80	200	215 x 61
DL ALU DALI DN 200 35 W 4000 K IP44/IP20 WT	>80	200	215 x 61
DL ALU DALI DN 200 35 W 6500 K IP44/IP20 WT	>80	200	215 x 61

<sup>1</sup> t [h]: L70/B50 @ 25 °C (Ta) / t [h]: L80/B10 @ 25 °C (Ta)

## DOWNLIGHT SLIM ALU

Flat downlights with external driver and aluminum housing



### PRODUCT FEATURES

- Solid aluminum housing in white
- Diffuser made of opal PMMA
- Small visible bezel

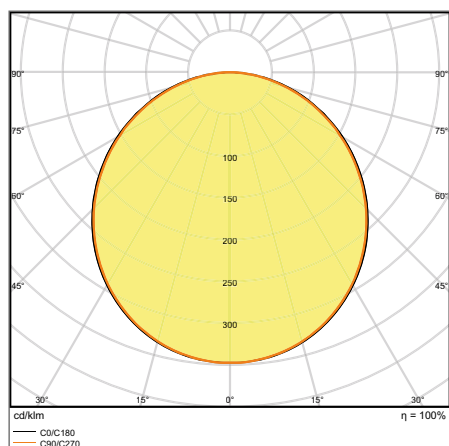
### PRODUCT BENEFITS

- Extremely small mounting depth due to very low-profile housing
- Energy savings of up to 60 % compared to luminaires that use CFL
- External driver for easy replacement
- 5 years guarantee

### AREAS OF APPLICATION

- Direct replacement for luminaires with compact fluorescent lamps
- General illumination
- Public areas
- Stairways
- Corridors

## FURTHER PRODUCT DETAILS



DL SLIM ALU DN 205 22 W 4000 K WT

<sup>1</sup> Refer to [www.ledvance.com/guarantee](http://www.ledvance.com/guarantee) for precise conditions

The pictures shown in the catalog are for illustration purposes only. For information on size and color, please refer to the product table.

Product name	Segmentation	GTIN (EAN)	RE-PLACE-MENT-FOR	W	lm	lm/W	K	L70 <sup>1</sup>	L80 <sup>1</sup>	
DL SLIM ALU DN 180 17 W 3000 K WT	■	4058075063921	1x26W CFLi	17	1350	80	3000	50000	30000	120
DL SLIM ALU DN 180 17 W 4000 K WT	■	4058075063945	1x26W CFLi	17	1400	80	4000	50000	30000	120
DL SLIM ALU DN 205 22 W 3000 K WT	■	4058075064003	2x18W CFLi	22	1850	85	3000	50000	30000	120
DL SLIM ALU DN 205 22 W 4000 K WT	■	4058075064027	2x18W CFLi	22	1920	90	4000	50000	30000	120



Product name	CRI		L x W x H [mm] Ø x H [mm]
DL SLIM ALU DN 180 17 W 3000 K WT	>80	180	192 x 23
DL SLIM ALU DN 180 17 W 4000 K WT	>80	180	192 x 23
DL SLIM ALU DN 205 22 W 3000 K WT	>80	205	225 x 23
DL SLIM ALU DN 205 22 W 4000 K WT	>80	205	225 x 23

<sup>1</sup> t [h]: L70/B50 @ 25 °C (Ta) / t [h]: L80/B10 @ 25 °C (Ta)

# SPOTLIGHTS

## IMPRESSIVE ALL ROUND: OUR SPOTLIGHTS

### SPOT VARIO



Page 30



PERFOR-  
MANCE  
CLASS

#### VERSATILE SWIVEL SPOTLIGHT FOR THE RETAIL AREA

- Ideal for accent lighting thanks to highly flexible tilt and swivel capability
- Easy replacement of the external driver thanks to plug with bayonet connection
- Low-flicker light < 10 %

### SPOT MULTI



Page 32



PERFOR-  
MANCE  
CLASS

#### POWERFUL MULTI-SPOTLIGHT WITH GIMBAL

- Low-flicker light < 10 %
- Flexible application thanks to excellent anti-glare properties UGR < 16
- Light-proof housing

### SPOT SQUARE ADJUST



Page 34



PERFOR-  
MANCE  
CLASS

#### ATTRACTIVE SQUARE SPOTLIGHT

- Cut-off angle for good glare reduction and high visual comfort
- Energy savings of up to 90 % compared with halogen lamp spotlights
- Housing made of die-cast aluminum for improved heat dissipation

### SPOT ROUND ADJUST



Page 36

SPOT ADJUST  
SPOT ADJUST DALI



PERFOR-  
MANCE  
CLASS

#### ADJUSTABLE REPLACEMENT FOR HALOGEN SPOTLIGHT

- Extended range of applications through versions with DALI or switchable driver
- Energy savings of up to 90 % compared with halogen lamp spotlights
- Simple installation for 3–20 mm ceiling thickness

### SPOT ROUND FIX



Page 38

SPOT DIM

SPOT FIREPROOF FIX:

- SPOT FIREPROOF DIM
- SPOT FIREPROOF

SPOT DARKLIGHT



PERFOR-  
MANCE  
CLASS

#### VERSATILE FAMILY

- Various versions such as IP44, IP65 and dimmable for a wide range of applications
- Energy savings of up to 90 % compared with halogen lamp spotlights
- Simple installation for 3–20 mm ceiling thickness



## SPOT VARIO

Recessed mounted spotlight, swivelable



### PRODUCT FEATURES

- Housing material: aluminum
- Rotation angle: 0°...350°, tilt angle: 0°...35°
- Beam angle: 24°
- Large faceted reflector for high light output

### PRODUCT BENEFITS

- Ideal for accent lighting thanks to highly flexible tilt and swivel capability
- Easy replacement of external driver thanks to plug with bayonet lock
- Low-flicker light
- Die-cast aluminum housing for improved heat dissipation
- 5 years guarantee

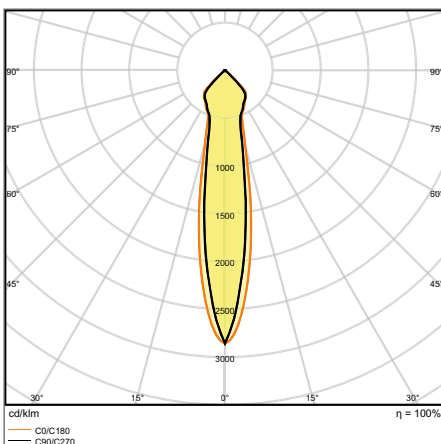
### AREAS OF APPLICATION

- Accent- and general lighting for all kind of salesrooms
- Retail
- Supermarkets
- Shops, boutiques
- Hotel rooms

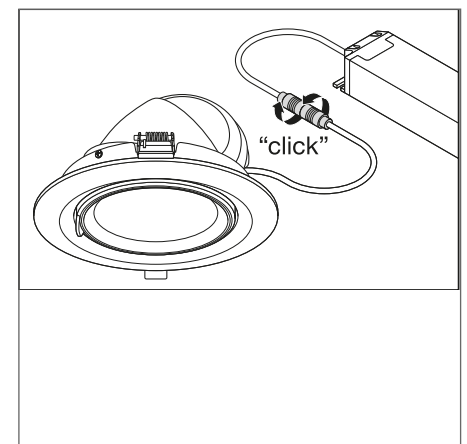
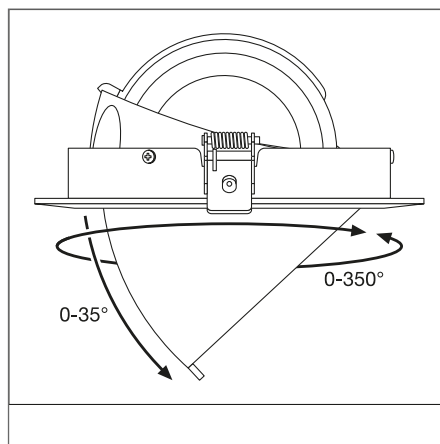
### EQUIPMENT / ACCESSORIES

- Driver included

## FURTHER PRODUCT DETAILS



SPOT VARIO DN 170 35 W 3000 K  
24DEG WT



<sup>1</sup> Refer to [www.ledvance.com/guarantee](http://www.ledvance.com/guarantee) for precise conditions

The pictures shown in the catalog are for illustration purposes only. For information on size and color, please refer to the product table.

Product name	Segmentation	GTIN (EAN)	RE-PLACE-MENT-FOR	W	lm	lm/W	K	L70 <sup>1</sup>	L80 <sup>1</sup>	°
SPOT VARIO DN 170 35 W 3000 K 24DEG WT	■	4058075104020	1x70W HID	35	3350	95	3000	50000	45000	24
SPOT VARIO DN 170 35 W 4000 K 24DEG WT	■	4058075104044	1x70W HID	35	3550	100	4000	50000	45000	24



Product name	CRI	FLICKER VALUE	Beam angle	Mounting	L x W x H [mm] Ø x H [mm]
SPOT VARIO DN 170 35 W 3000 K 24DEG WT	>80	<10 %	170	1126	180x129
SPOT VARIO DN 170 35 W 4000 K 24DEG WT	>80	<10 %	170	1126	180x129

<sup>1</sup> t [h]: L70/B50 @ 25 °C (Ta) / t [h]: L80/B10 @ 25 °C (Ta)

# SPOT MULTI

Recessed mounted spotlight, swivelable



## PRODUCT FEATURES

- Housing material: aluminum
- Housing, black; frame, white
- One driver per luminaire head (1-, 2-lamp)
- Gimbal adjustment angle: +/- 25°

## PRODUCT BENEFITS

- Low-flicker light
- Flexible application thanks to excellent anti-glare properties UGR <16
- Light-proof housing
- Easy replacement of external driver thanks to plug with bayonet lock

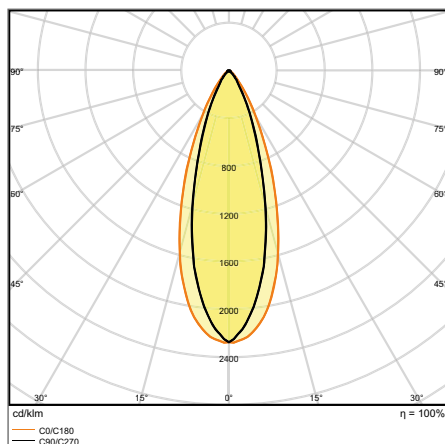
## AREAS OF APPLICATION

- Accent- and general lighting for all kind of salesrooms
- Fashion shops, accessories shops
- Shops, boutiques
- Hotel rooms
- Cafés

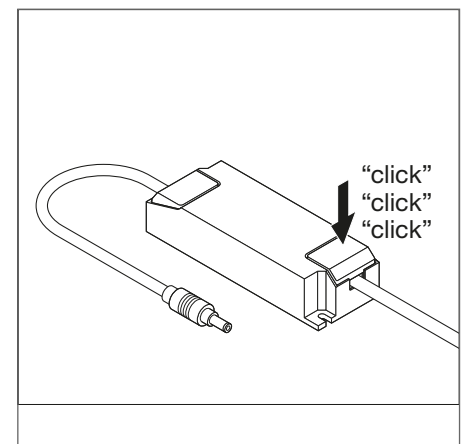
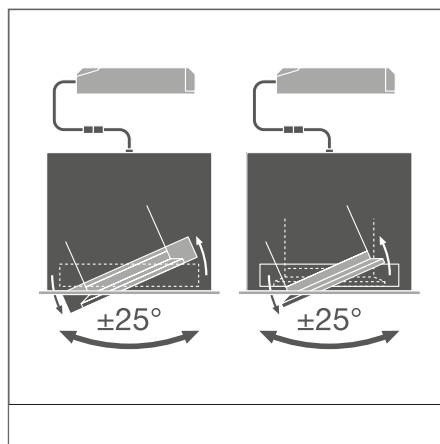
## EQUIPMENT / ACCESSORIES

- Driver included

## FURTHER PRODUCT DETAILS



SPOT MULTI 1 x 30W 3000K FL WT/BK



<sup>1</sup> Refer to [www.ledvance.com/guarantee](http://www.ledvance.com/guarantee) for precise conditions

The pictures shown in the catalog are for illustration purposes only. For information on size and color, please refer to the product table.



Product name	Segmentation	GTIN (EAN)	RE-PLACE-MENT-FOR	W	lm	lm/W	K	L70 <sup>1</sup>	L80 <sup>1</sup>	°
SPOT MULTI 1 x 30W 3000K FL WT/BK	■	4058075113923	1x35W HID	30	2700	90	3000	50000	45000	38
SPOT MULTI 1 x 30W 4000K FL WT/BK	■	4058075113947	1x35W HID	30	2700	90	4000	50000	45000	38
SPOT MULTI 2 x 30W 3000K FL WT/BK	■	4058075113961	2x35W HID	2*30	2*2700	90	3000	50000	45000	38
SPOT MULTI 2 x 30W 4000K FL WT/BK	■	4058075113985	2x35W HID	2*30	2*2700	90	4000	50000	45000	38

Product name	CRI	FLICKER VALUE			L x W x H [mm] Ø x H [mm]	
SPOT MULTI 1 x 30W 3000K FL WT/BK	>80	<10 %	164x160	1540	173x173x135	1
SPOT MULTI 1 x 30W 4000K FL WT/BK	>80	<10 %	164x160	1540	173x173x135	1
SPOT MULTI 2 x 30W 3000K FL WT/BK	>80	<10 %	320x160	2700	330x173x135	2
SPOT MULTI 2 x 30W 4000K FL WT/BK	>80	<10 %	320x160	2700	330x173x135	2

<sup>1</sup> t [h]: L70/B50 @ 25 °C (Ta) / t [h]: L80/B10 @ 25 °C (Ta)

## SPOT SQUARE ADJUST

Recessed mounted spotlight, adjustable, square shape



### PRODUCT FEATURES

- High-quality, square die-cast aluminum housing for better heat dissipation, matt black and white
- Adjustable tilt angle: +/- 20°
- Low-flicker light

### PRODUCT BENEFITS

- Cut off angle for comfortable indoor lighting
- Energy savings of up to 90 % compared to halogen lamp spotlights
- Die-cast aluminum housing for improved heat dissipation
- External driver for extended flexibility (compatible with selected DALI drivers)
- 5 years guarantee

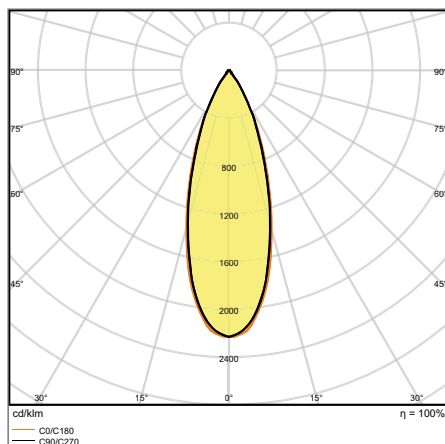
### AREAS OF APPLICATION

- Replacement of halogen lamp spotlights
- General accent lighting
- Shops, boutiques
- Hotel rooms
- Bars, restaurants

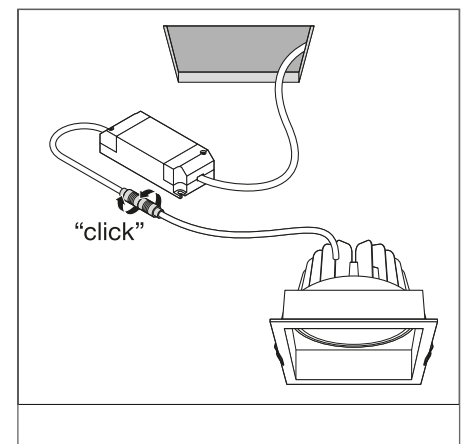
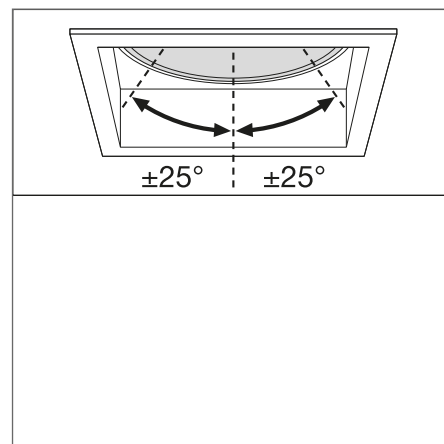
### EQUIPMENT / ACCESSORIES

- Driver included

## FURTHER PRODUCT DETAILS



SPOT SQUARE DK ADJ 8 W 3000 K WT



<sup>1</sup> Refer to [www.ledvance.com/guarantee](http://www.ledvance.com/guarantee) for precise conditions

The pictures shown in the catalog are for illustration purposes only. For information on size and color, please refer to the product table.

Product name	Segmentation	GTIN (EAN)	RE-PLACE-MENT-FOR	W	lm	lm/W	K	L70 <sup>1</sup>	L80 <sup>1</sup>	°
SPOT SQUARE DK ADJ 8 W 3000 K WT	■	4058075114043	75W HAL	8	650	90	3000	50000	45000	36
SPOT SQUARE DK ADJ 8 W 3000 K BK	■	4058075114067	75W HAL	8	650	90	3000	50000	45000	36



Product name	CRI	FLICKER VALUE	⚡	L x W x H [mm]	⊘ x H [mm]	Light No.
SPOT SQUARE DK ADJ 8 W 3000 K WT	>80	<10 %	83x83	90x90x72		2
SPOT SQUARE DK ADJ 8 W 3000 K BK	>80	<10 %	83x83	90x90x72		3

<sup>1</sup> t [h]: L70/B50 @ 25 °C (Ta) / t [h]: L80/B10 @ 25 °C (Ta)

# SPOT ROUND ADJUST

Recessed mounted spotlight, adjustable, round shape



## PRODUCT FEATURES

- Die-cast aluminum housing, white
- Adjustable tilt angle: +/- 20°
- Available with DALI or switchable driver

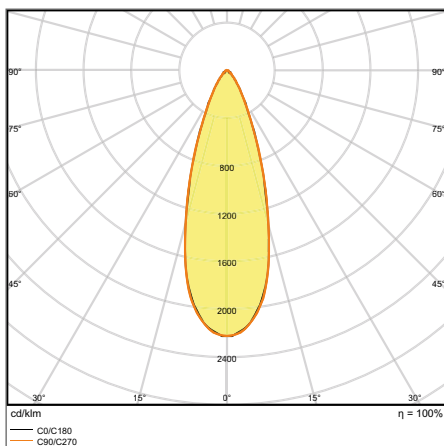
## PRODUCT BENEFITS

- Extended range of applications through versions with DALI or switchable driver
- Energy savings of up to 90 % compared to halogen lamp spotlights
- Easy installation for ceiling thickness: 3 - 20 mm
- 5 years guarantee

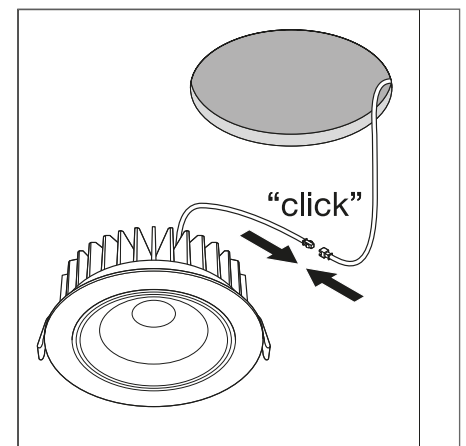
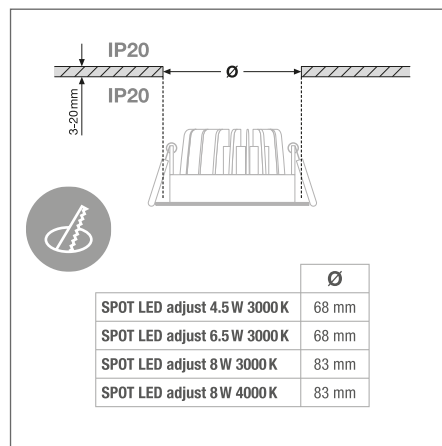
## AREAS OF APPLICATION

- Replacement of halogen lamp spotlights
- General illumination
- Hotel rooms
- Bars, restaurants
- Accent lighting

## FURTHER PRODUCT DETAILS



SPOT ADJUST 8 W 4000 K WT



<sup>1</sup> Refer to [www.ledvance.com/guarantee](http://www.ledvance.com/guarantee) for precise conditions

The pictures shown in the catalog are for illustration purposes only. For information on size and color, please refer to the product table.

Product name	Segmentation	GTIN (EAN)	RE-PLACEMENT FOR	W	lm	lm/W	K	L70 <sup>1</sup>	L80			
SPOT ADJUST 4.50 W 3000 K WT	■	4058075126886	35W HAL	5	360	80	3000	50000	40000	36	-	-
SPOT ADJUST 6.50 W 3000 K WT	■	4058075126909	50W HAL	7	550	85	3000	50000	40000	36	-	-
SPOT ADJUST 8 W 3000 K WT	■	4058075126848	75W HAL	8	660	85	3000	50000	40000	36	-	-
SPOT ADJUST 8 W 4000 K WT	■	4058075126862	75W HAL	8	720	90	4000	50000	40000	36	-	-
SPOT ADJUST DALI 8 W 3000 K IP20 WT	■	4058075219946	75W HAL	8	660	85	3000	50000	40000	36	✓	DALI
SPOT ADJUST DALI 8 W 4000 K IP20 WT	■	4058075219922	75W HAL	8	720	90	4000	50000	40000	36	✓	DALI



Product name	CRI	IK		L x W x H [mm]	Ø x H [mm]
SPOT ADJUST 4.50 W 3000 K WT	>80	IK06	68	80 x 36	
SPOT ADJUST 6.50 W 3000 K WT	>80	IK06	68	80 x 36	
SPOT ADJUST 8 W 3000 K WT	>80	IK06	83	90 x 47	
SPOT ADJUST 8 W 4000 K WT	>80	IK06	83	90 x 47	
SPOT ADJUST DALI 8 W 3000 K IP20 WT	>80	IK06	83	90 x 47	
SPOT ADJUST DALI 8 W 4000 K IP20 WT	>80	IK06	83	90 x 47	

<sup>1</sup> t [h]: L70/B50 @ 25 °C (Ta) / t [h]: L80/B10 @ 25 °C (Ta)

## SPOT ROUND FIX

Recessed mounted spotlight, fixed, round shape



### PRODUCT FEATURES

- Die-cast aluminum housing, white
- Fire-resistant (up to 90 minutes, tested in accordance with EN 1365-2:2014 ,fire resistance tests for loadbearing elements - Part 2: Floors and roofs')
- Type of protection, front side: IP65
- Dimmable (with suitable Phase-cut dimmers)

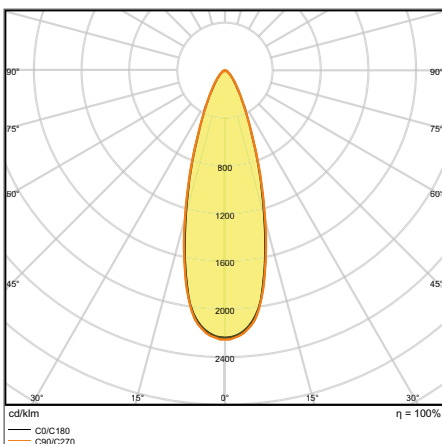
### PRODUCT BENEFITS

- Recessed spotlight usable for fire protection applications
- Energy savings of up to 90 % compared to halogen lamp spotlights
- Easy installation for ceiling thickness: 3 - 20 mm
- Designed for extra IP protection
- 5 years guarantee

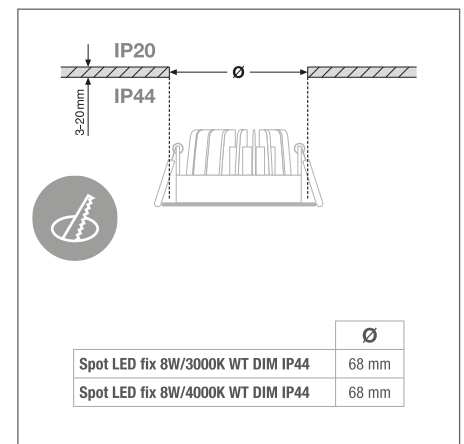
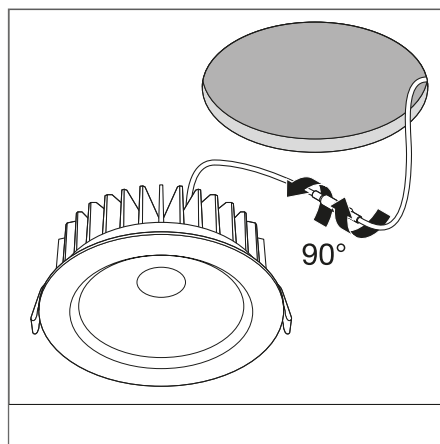
### AREAS OF APPLICATION

- Replacement of halogen lamp spotlights
- General illumination
- Hotel rooms
- Bars, restaurants
- Accent lighting

## FURTHER PRODUCT DETAILS



SPOT FIX DIM 8 W 4000 K IP44/IP20 SI



<sup>1</sup> Refer to [www.ledvance.com/guarantee](http://www.ledvance.com/guarantee) for precise conditions

The pictures shown in the catalog are for illustration purposes only. For information on size and color, please refer to the product table.

Product name	Segmentation	GTIN (EAN)	RE- PLACE- MENT FOR	W	lm	lm/W	K	L70 <sup>1</sup>	L80 <sup>1</sup>		
SPOT FIX DIM 8 W 3000 K IP44/IP20 SI	■	4058075126923	75W HAL	8	620	75	3000	50000	40000	36	✓
SPOT FIX DIM 8 W 3000 K IP44/IP20 WT	■	4058075127043	75W HAL	8	620	75	3000	50000	40000	36	✓
SPOT FIX DIM 8 W 4000 K IP44/IP20 SI	■	4058075127067	75W HAL	8	670	80	4000	50000	40000	36	✓
SPOT FIX DIM 8 W 4000 K IP44/IP20 WT	■	4058075127104	75W HAL	8	670	80	4000	50000	40000	36	✓



Product name	CRI	IK		L x W x H [mm] Ø x H [mm]	
SPOT FIX DIM 8 W 3000 K IP44/IP20 SI	>80	IK06	68	81 x 51	1
SPOT FIX DIM 8 W 3000 K IP44/IP20 WT	>80	IK06	68	81 x 51	-
SPOT FIX DIM 8 W 4000 K IP44/IP20 SI	>80	IK06	68	81 x 51	1
SPOT FIX DIM 8 W 4000 K IP44/IP20 WT	>80	IK06	68	81 x 51	-

<sup>1</sup> t [h]: L70/B50 @ 25 °C (Ta) / t [h]: L80/B10 @ 25 °C (Ta)

## SPOT FIREPROOF FIX

Recessed mounted spotlight, round shape, fire-resistant



### PRODUCT FEATURES

- Die-cast aluminum housing, white
- Fire-resistant (up to 90 minutes, tested in accordance with EN 1365-2:2014 ,fire resistance tests for loadbearing elements - Part 2: Floors and roofs<sup>1</sup>\*)
- Type of protection, front side: IP65
- Dimmable (with suitable Phase-cut dimmers)

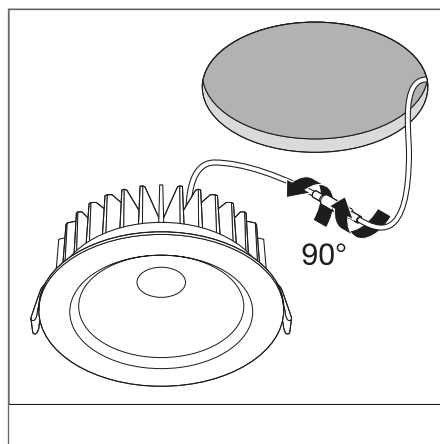
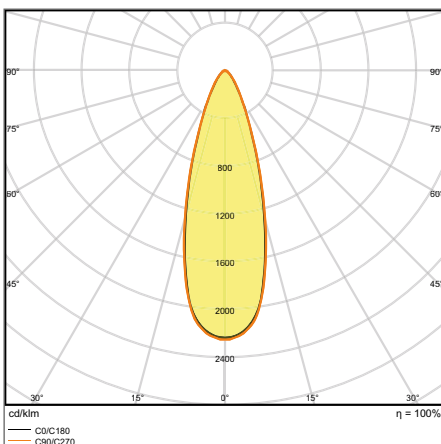
### PRODUCT BENEFITS

- Recessed spotlight usable for fire protection applications
- Energy savings of up to 90 % compared to halogen lamp spotlights
- Easy installation for ceiling thickness: 3 - 20 mm
- Designed for extra IP protection
- 5 years guarantee

### AREAS OF APPLICATION

- Replacement of halogen lamp spotlights
- Hotel rooms
- Bars, restaurants
- Bathrooms
- Accent lighting

## FURTHER PRODUCT DETAILS



	Ø
SpotFP LED fix 8W/3000K WT DIM IP65	68 mm
SpotFP LED fix 8W/4000K WT DIM IP65	68 mm

SPOT FP FIX DIM 8 W 4000 K IP65/IP20 WT

\* Coordination with your responsible fire protection inspector is required in advance!

<sup>1</sup> Refer to [www.ledvance.com/guarantee](http://www.ledvance.com/guarantee) for precise conditions

The pictures shown in the catalog are for illustration purposes only. For information on size and color, please refer to the product table.



## SPOT FIREPROOF DIM

Recessed mounted spotlight, round shape, fire-resistant, dimmable

Product name	Segmentation	GTIN (EAN)	RE-PLACE-MENT FOR	W	lm	lm/W	K	L70 <sup>1</sup>	L80 <sup>1</sup>		
SPOT FP FIX DIM 8 W 3000 K IP65/IP20 WT	■	4058075127432	75W HAL	8	620	75	3000	50000	40000	36	✓
SPOT FP FIX DIM 8 W 4000 K IP65/IP20 WT	■	4058075127555	75W HAL	8	670	80	4000	50000	40000	36	✓
SPOT FP FIX DIM 8 W 3000 K IP65/IP20 SI	■	4058075127371	75W HAL	8	620	75	3000	50000	40000	36	✓
SPOT FP FIX DIM 8 W 4000 K IP65/IP20 SI	■	4058075127494	75W HAL	8	670	80	4000	50000	40000	36	✓



Product name	CRI	IK		L x W x H [mm]	Ø x H [mm]	
SPOT FP FIX DIM 8 W 3000 K IP65/IP20 WT	>80	IK06	68	81 x 51		1
SPOT FP FIX DIM 8 W 4000 K IP65/IP20 WT	>80	IK06	68	81 x 51		1
SPOT FP FIX DIM 8 W 3000 K IP65/IP20 SI	>80	IK06	68	81 x 51		2
SPOT FP FIX DIM 8 W 4000 K IP65/IP20 SI	>80	IK06	68	81 x 51		2

## SPOT FIREPROOF

Recessed mounted spotlight, round shape, fire-resistant

Product name	Segmentation	GTIN (EAN)	RE-PLACE-MENT FOR	W	lm	lm/W	K	L70 <sup>1</sup>	L80 <sup>1</sup>	
SPOT FP FIX 7 W 3000 K IP65/IP20 WT	■	4058075127333	50W HAL	7	530	75	3000	50000	40000	38



Product name	CRI	IK		L x W x H [mm]	Ø x H [mm]	
SPOT FP FIX 7 W 3000 K IP65/IP20 WT	>80	IK06	68	90 x 72		1

<sup>1</sup> t [h]: L70/B50 @ 25 °C (Ta) / t [h]: L80/B10 @ 25 °C (Ta)

## SPOT DARKLIGHT

Recessed mounted spotlight, round shape, Darklight with cut-off



### PRODUCT FEATURES

- Die-cast aluminum housing, white
- Type of protection, front side: IP44
- Diameter of required ceiling cut-out: 63 mm

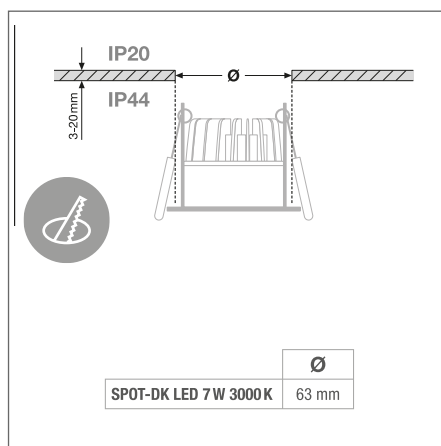
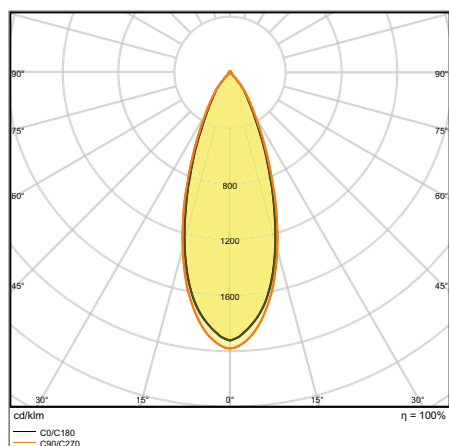
### PRODUCT BENEFITS

- 70° cut off angle - perfect for shelf lighting
- Energy savings of up to 90 % compared to halogen lamp spotlights
- Easy installation for ceiling thickness: 3 - 20 mm
- 5 years guarantee

### AREAS OF APPLICATION

- Replacement of conventional 50 W halogen spotlights
- Hotel rooms
- Bars, restaurants
- Bathrooms
- Shelf and undercabinet lighting

## FURTHER PRODUCT DETAILS



SPOT DK FIX 7 W 3000 K IP44/IP20 WT

<sup>1</sup> Refer to [www.ledvance.com/guarantee](http://www.ledvance.com/guarantee) for precise conditions

The pictures shown in the catalog are for illustration purposes only. For information on size and color, please refer to the product table.



Product name	Segmentation	GTIN (EAN)	RE-PLACE-MENT-FOR	W	lm	lm/W	K	L70 <sup>1</sup>	L80 <sup>1</sup>	°
SPOT DK FIX 7 W 3000 K IP44/IP20 WT	■	4058075127166	50W HAL	7	580	85	3000	50000	40000	36



Product name	CRI	IK	∅	L x W x H [mm] ∅ x H [mm]
SPOT DK FIX 7 W 3000 K IP44/IP20 WT	>80	IK06	63	70x58

<sup>1</sup> t [h]: L70/B50 @ 25 °C (Ta) / t [h]: L80/B10 @ 25 °C (Ta)

# TRACKLIGHTS

## REDUCED DESIGN, EXTENSIVE FUNCTIONS

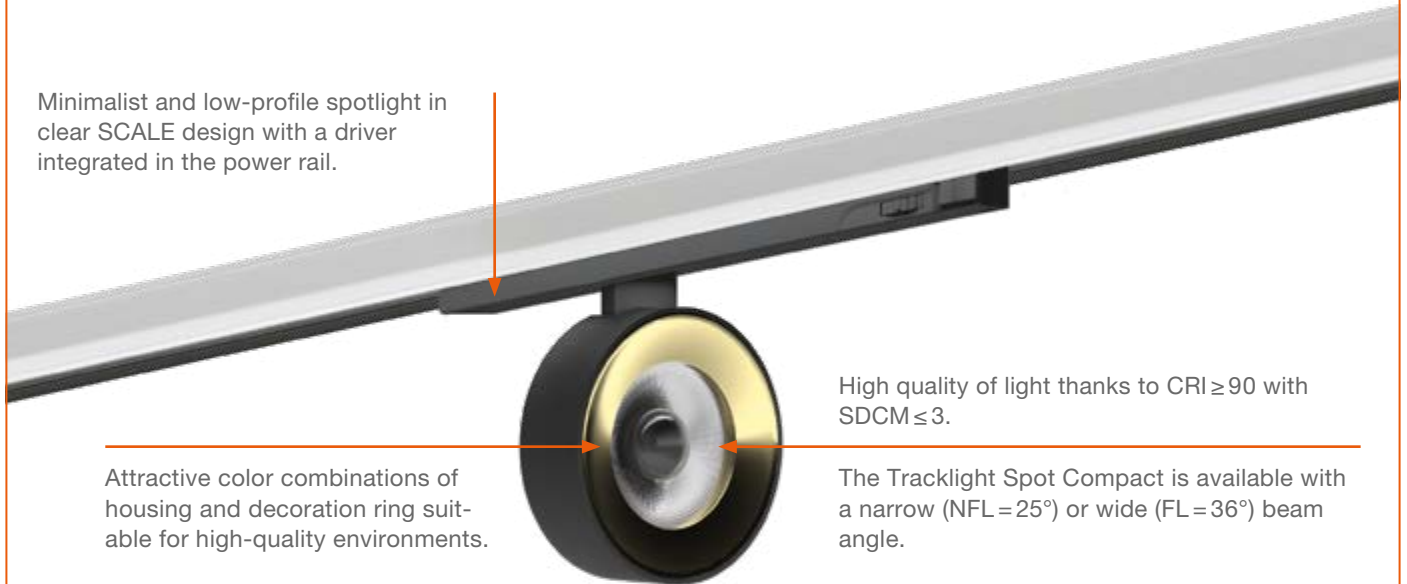
### TRACKLIGHT SPOT COMPACT



Design spotlight – aesthetic and functional  
Page 46

PERFOR-  
MANCE  
CLASS

Minimalist and low-profile spotlight in clear SCALE design with a driver integrated in the power rail.



Attractive color combinations of housing and decoration ring suitable for high-quality environments.

High quality of light thanks to  $CRI \geq 90$  with  $SDCM \leq 3$ .

The Tracklight Spot Compact is available with a narrow ( $NFL = 25^\circ$ ) or wide ( $FL = 36^\circ$ ) beam angle.

Choice of color for housing + ring:



Matt white (WT)  
+ titanium



Matt black (BK)  
+ gold



Concrete gray (GY)  
+ chrome



### OUR SPOTLIGHTS ARE ALSO CHARACTERIZED BY THE FOLLOWING SHARED QUALITY FEATURES:

- Included 3-phase adapter compatible with common power rails (such as NORLUX, GLOBAL, NUCO, NORDIC)
- High material quality thanks to die-cast aluminum housing
- High flexibility thanks to tilt and swivel joints

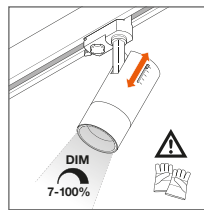
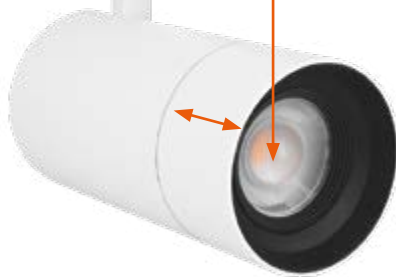


## TRACKLIGHT SPOT ZOOM DIM

Accurately focused light for flexible illumination  
Page 48

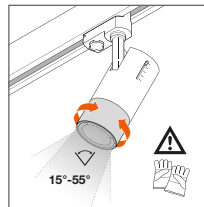
PERFORMANCE CLASS

Outstanding quality of light thanks to CRI  $\geq 97$  with Ra9 > 90 (color rendering of red tones) and low-flicker light (< 10 %).



### DIM FUNCTION

Dimmable (7 %–100 %) by means of a slider on the housing; DIM level visible on a scale.



### ZOOM LENS

Mechanical ZOOM lens made of high-quality PMMA with adjustable beam angle (15°–55°); angle visible on a scale on the lens holder. The ZOOM mechanism concealed in the housing keeps the shape of the housing unchanged.

Choice of color for housing:



## TRACKLIGHT SPOT

**Simply compact – a true all-rounder:** Excellent light comfort thanks to CRI 90, SDCM  $\leq 3$  and UGR < 16. They master a wide range of lighting tasks thanks to replaceable, dust-proof reflectors and various power levels.  
Page 50

PERFORMANCE CLASS

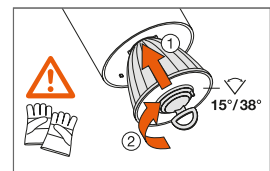


### THREE REFLECTORS FOR FLEXIBLE ACCENT LIGHTING

The reflectors are quick and easy to replace thanks to the practical bayonet connection and the supplied rubber suction cup.

The following replaceable reflectors are available:

the supplied standard Medium 24° reflector, as well as 2 Spot 15° and Flood 38° reflectors (order separately as accessories).



Distance (m)	∅ Light beam (m)	lx
1.0	0.3	11,000 lx
2.0	0.6	2,900 lx
3.0	0.9	1,300 lx

Distance (m)	∅ Light beam (m)	lx
1.0	0.4	9,200 lx
2.0	0.8	2,300 lx
3.0	1.2	1,000 lx

Distance (m)	∅ Light beam (m)	lx
1.0	1.4	4,200 lx
2.0	2.8	1,000 lx
3.0	4.2	470 lx

Choice of color for housing:



EAN: 4 058075113442, Tracklight Spot 25 W/3,000 K, rounded measured values

## TRACKLIGHT SPOT COMPACT

Shaped 3-phase tracklight spot with in-track control gear



### PRODUCT FEATURES

- Robust die-cast aluminum housing
- Available in matt white (like RAL9010), matt black (like RAL9005) and concrete grey (like RAL7042)
- Compact tracklight spot with in-track control gear
- Very good color rendering CRI>90
- Color consistency:  $\leq 3$  SDCM (threshold unit)

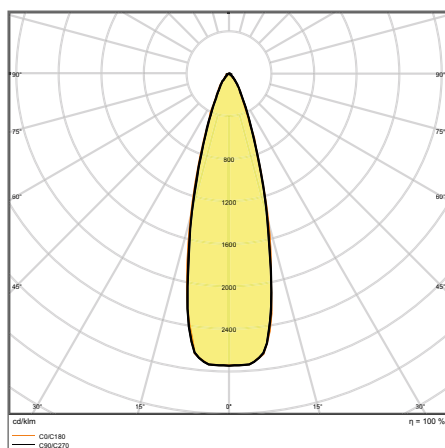
### PRODUCT BENEFITS

- High-quality spotlight thanks to excellent color rendering
- Included 3-phase adapter compatible with common tracks (NORLUX, GLOBAL, NUCO, NORDIC, POWERGEAR, EUTRAC)
- Attractive color combinations of housing/ decoration ring in white/titanium, black/gold, gray/chrome
- Made in Germany
- 5 years guarantee

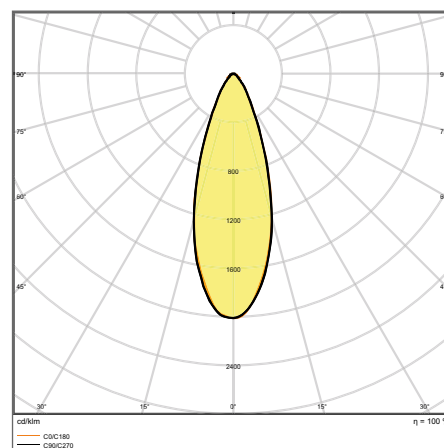
### AREAS OF APPLICATION

- Direct replacement for luminaires using HID lamps
- Accent lighting
- Fashion shops, accessories shops
- Retail
- Hotels, restaurants, shops

## FURTHER PRODUCT DETAILS



TR SP COMPACT D100 28 W 940 NFL BK

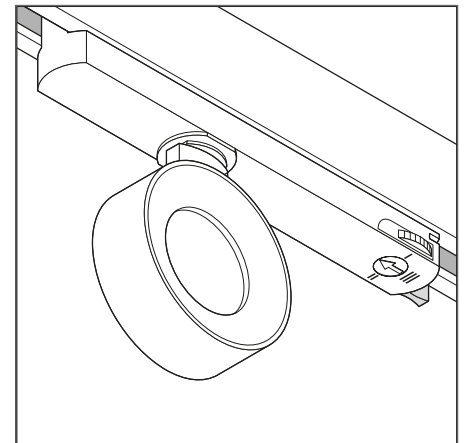
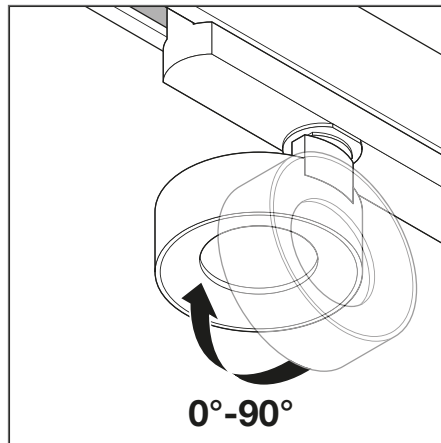
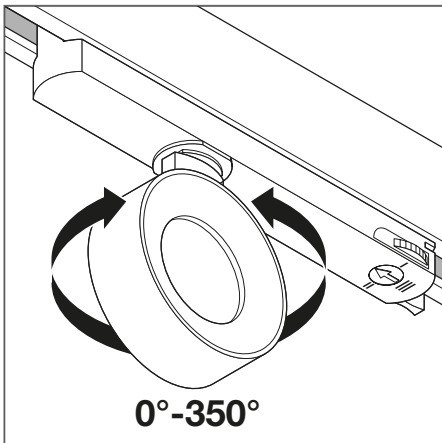


TR SP COM D100 28 W 4000 K FL

<sup>1</sup> Refer to [www.ledvance.com/guarantee](http://www.ledvance.com/guarantee) for precise conditions

The pictures shown in the catalog are for illustration purposes only. For information on size and color, please refer to the product table.

## FURTHER PRODUCT DETAILS



Product name	Segmentation	GTIN (EAN)	RE-PLACE-MENT FOR	W	lm	lm/W	K	L70 <sup>1</sup>	L80 <sup>1</sup>	△
TR SP COMPACT D100 28 W 930 NFL WT	■	4058075335844	35W HCl	28	2280	80	3000	80000	50000	25
TR SP COMPACT D100 28 W 930 FL WT	■	4058075335868	35W HCl	28	2200	80	3000	80000	50000	36
TR SP COMPACT D100 28 W 940 NFL WT	■	4058075335882	35W HCl	28	2380	85	4000	80000	50000	25
TR SP COMPACT D100 28 W 940 FL WT	■	4058075335905	35W HCl	28	2300	80	4000	80000	50000	36
TR SP COMPACT D100 28 W 930 NFL BK	■	4058075335929	35W HCl	28	2280	80	3000	80000	50000	25
TR SP COMPACT D100 28 W 930 FL BK	■	4058075335943	35W HCl	28	2200	80	3000	80000	50000	36
TR SP COMPACT D100 28 W 940 NFL BK	■	4058075335967	35W HCl	28	2380	85	4000	80000	50000	25
TR SP COMPACT D100 28 W 940 FL BK	■	4058075335981	35W HCl	28	2300	80	4000	80000	50000	36
TR SP COMPACT D100 28 W 930 NFL GY	■	4058075336001	35W HCl	28	2280	80	3000	80000	50000	25
TR SP COMPACT D100 28 W 930 FL GY	■	4058075336025	35W HCl	28	2200	80	3000	80000	50000	36
TR SP COMPACT D100 28 W 940 NFL GY	■	4058075336049	35W HCl	28	2380	85	4000	80000	50000	25
TR SP COMPACT D100 28 W 940 FL GY	■	4058075336063	35W HCl	28	2300	80	4000	80000	50000	36



Product name	CRI	FLICKER VALUE	g	L x W x H [mm]	Ø x H [mm]	Light No.
TR SP COMPACT D100 28 W 930 NFL WT	90	<5 %	400	260x33x160		1
TR SP COMPACT D100 28 W 930 FL WT	90	<5 %	400	260x33x160		1
TR SP COMPACT D100 28 W 940 NFL WT	90	<5 %	400	260x33x160		1
TR SP COMPACT D100 28 W 940 FL WT	90	<5 %	400	260x33x160		1
TR SP COMPACT D100 28 W 930 NFL BK	90	<5 %	400	260x33x160		2
TR SP COMPACT D100 28 W 930 FL BK	90	<5 %	400	260x33x160		2
TR SP COMPACT D100 28 W 940 NFL BK	90	<5 %	400	260x33x160		2
TR SP COMPACT D100 28 W 940 FL BK	90	<5 %	400	260x33x160		2
TR SP COMPACT D100 28 W 930 NFL GY	90	<5 %	400	260x33x160		3
TR SP COMPACT D100 28 W 930 FL GY	90	<5 %	400	260x33x160		3
TR SP COMPACT D100 28 W 940 NFL GY	90	<5 %	400	260x33x160		3
TR SP COMPACT D100 28 W 940 FL GY	90	<5 %	400	260x33x160		3

<sup>1</sup> t [h]: L70/B50 @ 25 °C (Ta) / t [h]: L80/B10 @ 25 °C (Ta)

# TRACKLIGHT SPOT ZOOM DIM

Dimmable 3-phase tracklight spot with mechanical zoom lens



## PRODUCT FEATURES

- Robust die-cast aluminum housing
- Available in matt white (like RAL9016), matt black (like RAL9004)
- Very good color rendering index CRI97 and CRI>90
- Dimmable (7% - 100%) via slider potentiometer directly on each luminaire
- Mechanical zoom lens with a beam angle of 15 ° to 55 °

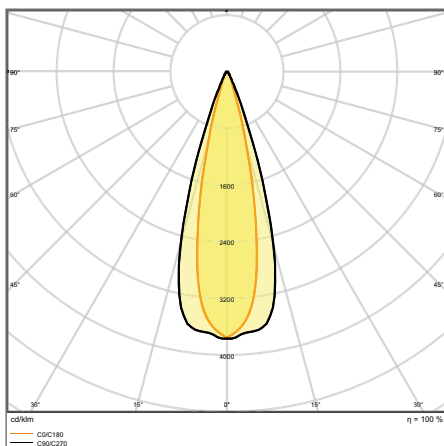
## PRODUCT BENEFITS

- Dimmable 3-phase track-mounted spotlight with mechanical zoom optics integrated in the housing
- Included 3-phase adapter compatible with common tracks (GLOBAL, POWERGEAR, EUTRAC, STAFF, NORLUX, NUCO, NORDIC)
- High-quality spotlight thanks to excellent color rendering
- Low-flicker light
- 5 years guarantee

## AREAS OF APPLICATION

- Direct replacement for luminaires using HID lamps
- Accent lighting
- Galleries, museums
- Fashion shops, accessories shops
- Shops, changing rooms, shop windows

## FURTHER PRODUCT DETAILS



TR SP ZOOM DIM D85 25 W 3000 K 97R WT

Distance [m]	Core diameter [m]	E(0°) E(C90)	E(C0)	Beam angle [°]	Beam angle [°]	Illuminance [lx]
0.5	0.28 0.20	E(0°) E(C90)	E(C0)	15.7° 11.5°	25949 15889	12309
1.0	0.56 0.41	E(0°) E(C90)	E(C0)	15.7° 11.5°	6487 2607	3077
1.5	0.84 0.61	E(0°) E(C90)	E(C0)	15.7° 11.5°	2883 1332	1368
2.0	1.12 0.81	E(0°) E(C90)	E(C0)	15.7° 11.5°	1622 749	789
2.5	1.41 1.02	E(0°) E(C90)	E(C0)	15.7° 11.5°	1038 480	492
3.0	1.69 1.22	E(0°) E(C90)	E(C0)	15.7° 11.5°	721 333	342

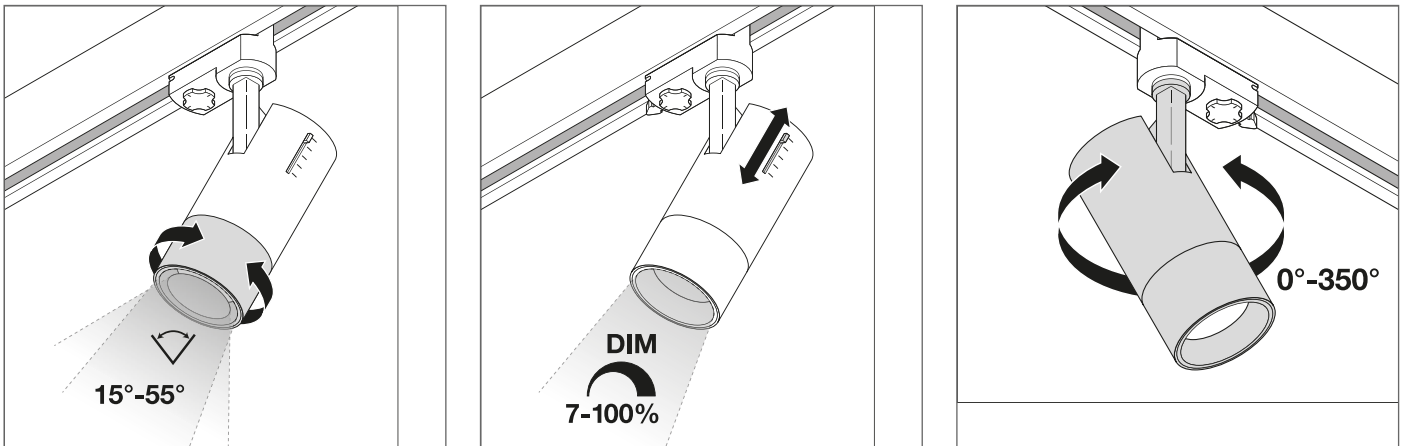
TR SP ZOOM DIM D85 25 W 4000 K DIM 25DEG

<sup>1</sup> Refer to [www.ledvance.com/guarantee](http://www.ledvance.com/guarantee) for precise conditions

The pictures shown in the catalog are for illustration purposes only. For information on size and color, please refer to the product table.



## FURTHER PRODUCT DETAILS



Product name	Segmentation	GTIN (EAN)	RE-PLACEMENT FOR	W	lm	lm/W	K	L70	L80	°
TR SP ZOOM DIM D85 25 W 3000 K 97R WT	■	4058075335769	50W HCl	25	1500	60	3000	50000	35000	15.00 ... 55.00
TR SP ZOOM DIM D85 25 W 4000 K 97R WT	■	4058075335783	50W HCl	25	1500	60	4000	50000	35000	15.00 ... 55.00
TR SP ZOOM DIM D85 25 W 3000 K 97R BK	■	4058075335806	50W HCl	25	1500	60	3000	50000	35000	15.00 ... 55.00
TR SP ZOOM DIM D85 25 W 4000 K 97R BK	■	4058075335820	50W HCl	25	1500	60	4000	50000	35000	15.00 ... 55.00



Product name	CRI	g	L x W x H [mm]	Ø x H [mm]	No.
TR SP ZOOM DIM D85 25 W 3000 K 97R WT	97	1025	85x265		2
TR SP ZOOM DIM D85 25 W 4000 K 97R WT	97	1025	85x265		2
TR SP ZOOM DIM D85 25 W 3000 K 97R BK	97	1025	85x265		3
TR SP ZOOM DIM D85 25 W 4000 K 97R BK	97	1025	85x265		3

<sup>1</sup> t [h]: L70/B50 @ 25 °C (Ta) / t [h]: L80/B10 @ 25 °C (Ta)

# TRACKLIGHT SPOT

3-phase tracklight spot with integrated control gear



## PRODUCT FEATURES

- Robust die-cast aluminum housing
- Available in matt white (like RAL9016), matt black (like RAL9004) and concrete grey (like RAL7042)
- Very good color rendering index Ra: 90
- Rotation angle: 350°, tilt angle: 90°
- Equipped with reflectors with 24° beam angle

## PRODUCT BENEFITS

- Deep reflector and black antiglare ring for minimized glare ( $UGR \leq 16$ )
- Accessory reflectors with 15° or 38° beam angle available
- Reflector easily replaceable thanks to bayonet catch and rubber suction pad
- Included 3-phase adapter compatible with common tracks (GLOBAL, POWERGEAR, EUTRAC, STAFF, NORLUX, NUCO, NORDIC)
- Low-flicker light

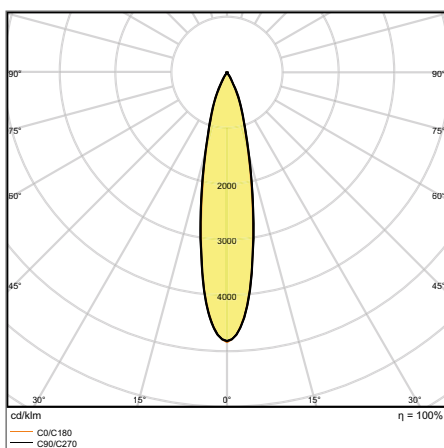
## AREAS OF APPLICATION

- Direct replacement for luminaires using HID lamps
- Accent lighting
- Fashion shops, accessories shops
- Retail
- Hotels, restaurants, shops

## EQUIPMENT / ACCESSORIES

- Accessory reflectors with 15° or 38° beam angle available\*

## FURTHER PRODUCT DETAILS



TRACK SP D95 55 W 4000 K 90RA NFL GY

Distance [m]	Cone diameter [m]	E(0°)	E(C90)	E(C0)	Illuminance [lx]
0.5	0.19 0.19	81247	11.0° 38656	10.9° 38871	
1.0	0.39 0.39	20312	11.0° 9664	10.9° 9718	
1.5	0.58 0.58	9027	11.0° 4295	10.9° 4319	
2.0	0.78 0.77	5078	11.0° 2416	10.9° 2429	
2.5	0.97 0.96	3250	11.0° 1546	10.9° 1555	
3.0	1.17 1.16	2257	11.0° 1074	10.9° 1080	

Distance [m] Cone diameter [m] Illuminance [lx]

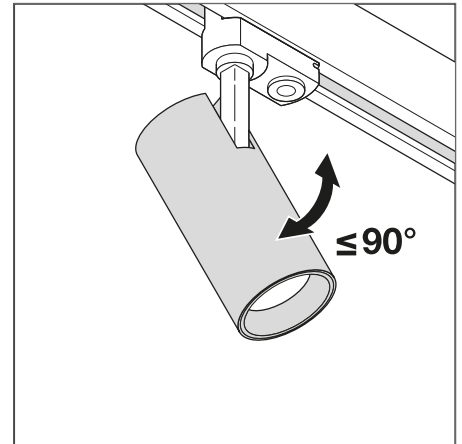
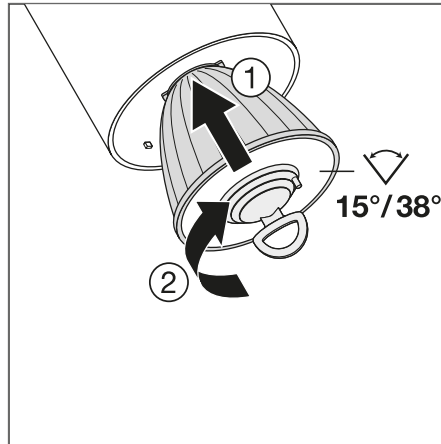
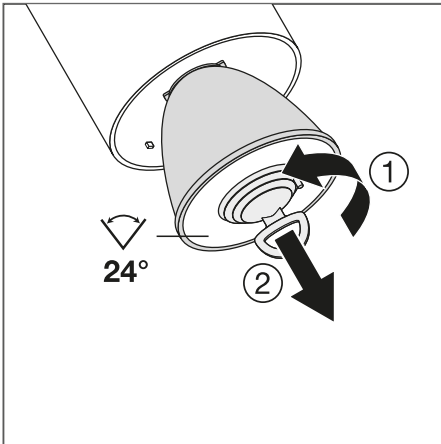
— C0/C180 (Half beam angle [°]: 21.8°)  
— C90/C270 (Half beam angle [°]: 22.0°)

TRACK SP D95 55 W 4000 K NFL

\* Please note: available = available as an optional accessory.  
 † Refer to [www.ledvance.com/guarantee](http://www.ledvance.com/guarantee) for precise conditions

The pictures shown in the catalog are for illustration purposes only. For information on size and color, please refer to the product table.

## FURTHER PRODUCT DETAILS



<sup>1</sup> t [h]: L70/B50 @ 25 °C (Ta) / t [h]: L80/B10 @ 25 °C (Ta)

Product name	Segmentation	GTIN (EAN)	REPLACEMENT FOR	W	lm	lm/W	K	L70 <sup>1</sup>	L80 <sup>1</sup>	△
TRACK SP D75 25 W 3000 K 90RA NFL WT	■	4058075113442	35W HID	25	1750	70	3000	50000	45000	24
TRACK SP D75 25 W 4000 K 90RA NFL WT	■	4058075113466	35W HID	25	1900	75	4000	50000	45000	24
TRACK SP D75 25 W 3000 K 90RA NFL BK	■	4058075113565	35W HID	25	1750	75	3000	50000	45000	24
TRACK SP D75 25 W 4000 K 90RA NFL BK	■	4058075113589	35W HID	25	1900	80	4000	50000	45000	24
TRACK SP D75 25 W 3000 K 90RA NFL GY	■	4058075113688	35W HID	25	1750	75	3000	50000	45000	24
TRACK SP D75 25 W 4000 K 90RA NFL GY	■	4058075113701	35W HID	25	1900	75	4000	50000	45000	24
TRACK SP D85 35 W 3000 K 90RA NFL WT	■	4058075113480	50WHID	35	2660	70	3000	50000	45000	24
TRACK SP D85 35 W 4000 K 90RA NFL WT	■	4058075113503	50WHID	35	2800	75	4000	50000	45000	24
TRACK SP D85 35 W 3000 K 90RA NFL BK	■	4058075113602	50WHID	35	2660	75	3000	50000	45000	24
TRACK SP D85 35 W 4000 K 90RA NFL BK	■	4058075113626	50WHID	35	2800	80	4000	50000	45000	24
TRACK SP D85 35 W 3000 K 90RA NFL GY	■	4058075113725	50W HID	35	2660	75	3000	50000	45000	24
TRACK SP D85 35 W 4000 K 90RA NFL GY	■	4058075113749	50W HID	35	2800	75	4000	50000	45000	24
TRACK SP D95 55 W 3000 K 90RA NFL WT	■	4058075113527	70W HID	55	4000	70	3000	50000	45000	24
TRACK SP D95 55 W 4000 K 90RA NFL WT	■	4058075113541	70W HID	55	4200	75	4000	50000	45000	24
TRACK SP D95 55 W 3000 K 90RA NFL BK	■	4058075113640	70W HID	55	4000	75	3000	50000	45000	24
TRACK SP D95 55 W 4000 K 90RA NFL BK	■	4058075113664	70W HID	55	4200	80	4000	50000	45000	24
TRACK SP D95 55 W 3000 K 90RA NFL GY	■	4058075113763	70W HID	55	4000	75	3000	50000	45000	24
TRACK SP D95 55 W 4000 K 90RA NFL GY	■	4058075113787	70W HID	55	4200	75	4000	50000	45000	24



Product name	CRI	FLICKER VALUE	9	L x W x H [mm]	Ø x H [mm]	Ⓢ No.
TRACK SP D75 25 W 3000 K 90RA NFL WT	90	<10 %	770	75x255	1	1
TRACK SP D75 25 W 4000 K 90RA NFL WT	90	<10 %	770	75x255	1	1
TRACK SP D75 25 W 3000 K 90RA NFL BK	90	<10 %	770	75x255	-	-
TRACK SP D75 25 W 4000 K 90RA NFL BK	90	<10 %	770	75x255	-	-
TRACK SP D75 25 W 3000 K 90RA NFL GY	90	<10 %	770	75x255	-	-
TRACK SP D75 25 W 4000 K 90RA NFL GY	90	<10 %	770	75x255	-	-
TRACK SP D85 35 W 3000 K 90RA NFL WT	90	<10 %	1020	85x267	-	-
TRACK SP D85 35 W 4000 K 90RA NFL WT	90	<10 %	1020	85x267	-	-
TRACK SP D85 35 W 3000 K 90RA NFL BK	90	<10 %	1020	85x267	-	-
TRACK SP D85 35 W 4000 K 90RA NFL BK	90	<10 %	1020	85x267	-	-
TRACK SP D85 35 W 3000 K 90RA NFL GY	90	<10 %	1020	85x267	-	-
TRACK SP D85 35 W 4000 K 90RA NFL GY	90	<10 %	1020	85x267	-	-
TRACK SP D95 55 W 3000 K 90RA NFL WT	90	<10 %	1520	95x297	-	-
TRACK SP D95 55 W 4000 K 90RA NFL WT	90	<10 %	1520	95x297	-	-
TRACK SP D95 55 W 3000 K 90RA NFL BK	90	<10 %	1520	95x297	2	2
TRACK SP D95 55 W 4000 K 90RA NFL BK	90	<10 %	1520	95x297	2	2
TRACK SP D95 55 W 3000 K 90RA NFL GY	90	<10 %	1520	95x297	3	3
TRACK SP D95 55 W 4000 K 90RA NFL GY	90	<10 %	1520	95x297	3	3

<sup>1</sup> t [h]: L70/B50 @ 25 °C (Ta) / t [h]: L80/B10 @ 25 °C (Ta)



# TRACKLIGHT SPOT REFLECTOR

Interchangeable reflector



- Reflector easily replaceable thanks to bayonet catch and rubber suction pad
- Clear cover protects the reflector against dust and contact
- High optical efficacy
- Housing material: polycarbonate (PC)
- Accessory reflectors available in different beam angles

Product name	GTIN (EAN)	L x W x H [mm] Ø x H [mm]	MATERIAL	COLOR				No.
TRACK SP REFLECTOR D75 SP	4058075113800	63x53	Polycarbonate (PC)	Silver	15	1	1	1
TRACK SP REFLECTOR D75 FL	4058075113824	63x53	Polycarbonate (PC)	Silver	38	1	2	2
TRACK SP REFLECTOR D85 SP	4058075113848	75x63	Polycarbonate (PC)	Silver	15	1	1	1
TRACK SP REFLECTOR D85 FL	4058075113862	75x63	Polycarbonate (PC)	Silver	38	1	2	2
TRACK SP REFLECTOR D95 SP	4058075113886	82x69	Polycarbonate (PC)	Silver	15	1	1	1
TRACK SP REFLECTOR D95 FL	4058075113909	82x69	Polycarbonate (PC)	Silver	38	1	2	2

<sup>1</sup> Refer to [www.ledvance.com/guarantee](http://www.ledvance.com/guarantee) for precise conditions

# WALL AND CEILING LUMINAIRES

IDEAL FOR PUBLIC AREAS



## SURFACE COMPACT IK10



Page 56

PERFOR-  
MANCE  
CLASS



### ROBUST, POWERFUL SURFACE-MOUNTED LUMINAIRE

- Resistant to vandalism
- Transparent cover protects against dust and moisture
- High luminous efficacy

## SURFACE BULKHEAD



Page 62

SURFACE BULKHEAD  
SURFACE BULKHEAD SENSOR  
SURFACE BULKHEAD EMERGENCY  
SURFACE BULKHEAD SENSOR  
EMERGENCY  
SURFACE BULKHEAD ACCESSORY RINGS

PERFOR-  
MANCE  
CLASS



### GREAT PERFORMANCE INDOORS AND OUTDOORS

- Extremely versatile through switchable, HF-sensor and 3h single-battery versions
- Suitable for use in public areas thanks to high IK rating
- Easy installation on wall and ceiling with through-wiring option

## SURFACE CIRCULAR



Page 58

SURFACE CIRCULAR  
SURFACE CIRCULAR SENSOR  
SURFACE CIRCULAR COVER

VALUE  
CLASS



### FOR STANDARD APPLICATIONS

- Versions with sensor: easy adjustment of the sensor range, daylight detection and illumination time
- Energy savings of up to 55% compared with luminaires that use compact fluorescent lamps
- Quick and easy installation

# ROBUST VANDALISM PROTECTION AND INTELLIGENT SENSOR TECHNOLOGY



## ROBUST, RUGGED AND VANDAL-PROOF

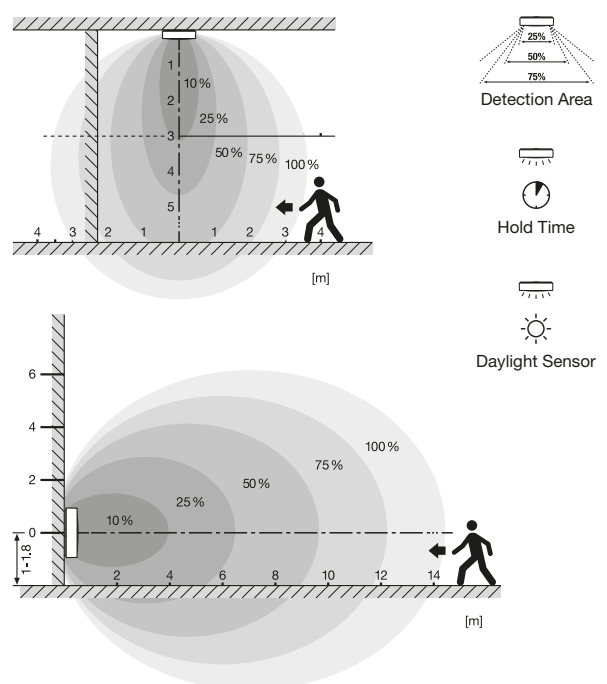
LEDVANCE SURFACE BULKHEAD and LEDVANCE SURFACE COMPACT IK10 are characterized by rugged design, an impact-resistant housing made of reinforced polycarbonate with IK10 rating, and high IP65 degree of protection. Torx screws make it harder for the luminaires to be removed with a conventional screwdriver, making them ideally protected against vandalism.



## SENSORS FOR SAFETY AND EFFICIENCY

LEDVANCE SURFACE BULKHEAD and CIRCULAR luminaires are available with state-of-the-art sensor technology. The flexible adjustment options allow illumination as required. This allows for light comfort and safety to be combined with maximum efficiency:

- HF sensor technology for motion detection
- Four-step twilight switching; activation adjustable between 2 and 50 lux
- Motion sensor with wide detection range (for wall and ceiling mounting); adjustable in five steps between 10 and 100 percent
- Hold time from 5 seconds to 30 minutes



Motion sensor with many adjustment options

## SURFACE COMPACT IK10

Wall and ceiling luminaire with high impact resistance



### PRODUCT FEATURES

- Housing and cover made from polycarbonate
- Impact resistance: IK10
- Glow Wire Test according to IEC 60695-2-12: 850 °C
- Through-wiring possible

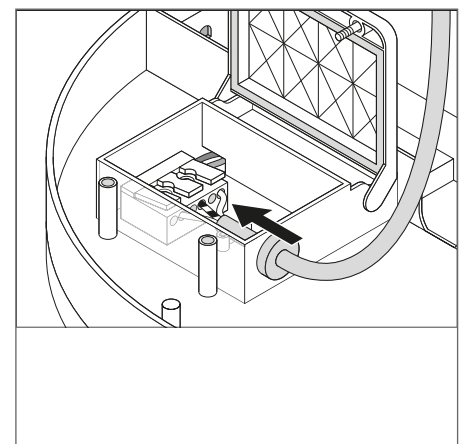
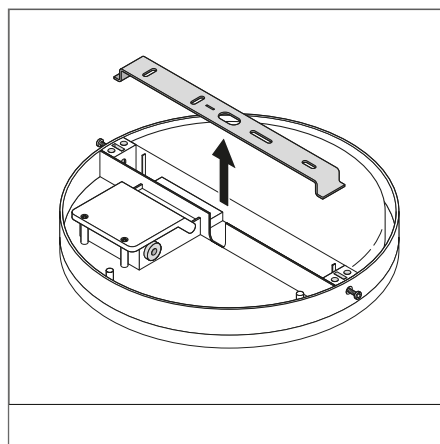
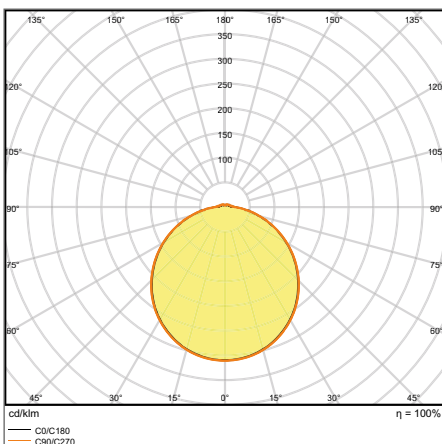
### PRODUCT BENEFITS

- Resistance against vandalism
- Transparent cover protects against dust and moisture
- LED protected for safe installation
- High luminous efficacy
- 5 years guarantee

### AREAS OF APPLICATION

- Corridors
- Stairways
- Bathrooms
- Foyers
- Public areas

## FURTHER PRODUCT DETAILS



SF COMPACT IK10 300 24 W 4000 K  
IP65 WT

<sup>1</sup> Refer to [www.ledvance.com/guarantee](http://www.ledvance.com/guarantee) for precise conditions

The pictures shown in the catalog are for illustration purposes only. For information on size and color, please refer to the product table.





Product name	Segmentation	GTIN (EAN)	RE-PLACE-MENT-FOR	W	lm	lm/W	K	L70 <sup>1</sup>	L80 <sup>1</sup>	°
SF COMPACT IK10 300 24 W 3000 K IP65 WT	■	4058075062207	2x18W CFLP	24	1800	75	3000	50000	30000	120
SF COMPACT IK10 300 24 W 4000 K IP65 WT	■	4058075062221	2x18W CFLP	24	1920	80	4000	50000	30000	120



Product name	CRI	FLICKER VALUE	IK	L x W x H [mm] Ø x H [mm]
SF COMPACT IK10 300 24 W 3000 K IP65 WT	>80	<5 %	IK10	300x61
SF COMPACT IK10 300 24 W 4000 K IP65 WT	>80	<5 %	IK10	300x61

<sup>1</sup> t [h]: L70/B50 @ 25 °C (Ta) / t [h]: L80/B10 @ 25 °C (Ta)

# SURFACE CIRCULAR

Wall and ceiling luminaires



## PRODUCT FEATURES

- Metal housing, PMMA cover
- Versions with sensor: high-frequency sensor for daylight and motion detection
- Versions with sensor: 110° and 8 m detection range, threshold: 25 lx, 5 s/1 min/3 min/10 min
- Ambient temperature in operation: -20...+40 °C

## PRODUCT BENEFITS

- Versions with sensor: easy adjustment of the sensor range, daylight detection and illumination time
- Energy savings of up to 55 % compared to luminaires that use CFL
- Easy and quick installation

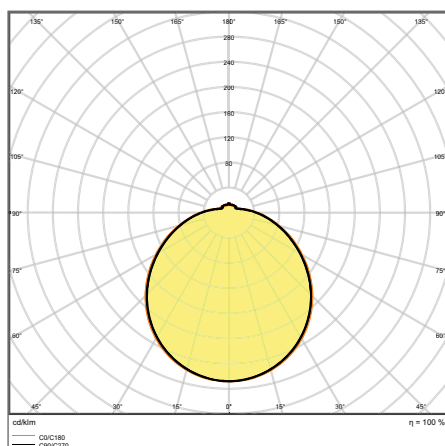
## AREAS OF APPLICATION

- Corridors
- Stairways
- Bathrooms
- Foyers

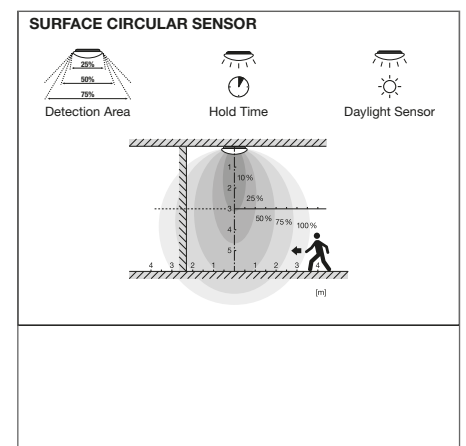
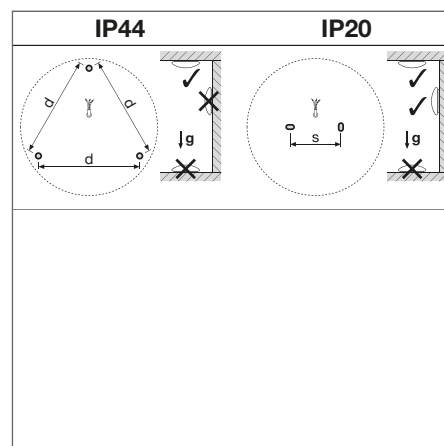
## EQUIPMENT / ACCESSORIES

- Replacement cover optional available\*

## FURTHER PRODUCT DETAILS



SF CIRCULAR 400 S 24 W 3000 K IP44 WT



\* Please note: available = available as an optional accessory.

<sup>1</sup> Versions with integrated sensor available | <sup>2</sup> Refer to [www.ledvance.com/guarantee](http://www.ledvance.com/guarantee) for precise conditions

The pictures shown in the catalog are for illustration purposes only. For information on size and color, please refer to the product table.

## SURFACE CIRCULAR

Wall and ceiling luminaires with IP44

Product name	Segmentation	GTIN (EAN)	RE-PLACE-MENT FOR	W	lm	lm/W	K	L70 <sup>1</sup>	L80 <sup>1</sup>	°
SF CIRC 250 V 13 W 830 IP44	■	4058075617865	18W CFLP	13	920	70	3000	30000	22000	120
SF CIRC 250 V 13 W 840 IP44	■	4058075617889	18W CFLP	13	960	75	4000	30000	22000	120
SF CIRC 350 V 18 W 830 IP44	■	4058075617940	24W CFLP	18	1440	80	3000	30000	22000	120
SF CIRC 350 V 18 W 840 IP44	■	4058075617964	24W CFLP	18	1440	80	4000	30000	22000	120
SF CIRC 400 V 24 W 830 IP44	■	4058075618022	2x18W CFLP	24	1920	80	3000	30000	22000	120
SF CIRC 400 V 24 W 840 IP44T	■	4058075618046	2x18W CFLP	24	1920	80	4000	30000	22000	120



Product name	CRI	FLICKER VALUE	L x W x H [mm]	Ø x H [mm]
SF CIRC 250 V 13 W 830 IP44	>80	<5 %	250 x 91	
SF CIRC 250 V 13 W 840 IP44	>80	<5 %	250 x 91	
SF CIRC 350 V 18 W 830 IP44	>80	<5 %	350 x 115	
SF CIRC 350 V 18 W 840 IP44	>80	<5 %	350 x 115	
SF CIRC 400 V 24 W 830 IP44	>80	<5 %	400 x 120	
SF CIRC 400 V 24 W 840 IP44	>80	<5 %	400 x 120	

## SURFACE CIRCULAR SENSOR

Wall and ceiling luminaire with IP44 and high frequency sensor

Product name	Segmentation	GTIN (EAN)	RE-PLACE-MENT FOR	W	lm	lm/W	K	L70 <sup>1</sup>	L80 <sup>1</sup>	°
SF CIRC 250 SEN V 13 W 830 IP44	■	4058075617902	18W CFLP	13	920	70	3000	30000	22000	120
SF CIRC 250 SEN V 13 W 840 IP44	■	4058075617926	18W CFLP	13	960	75	4000	30000	22000	120
SF CIRC 350 SEN V 18 W 830 IP44	■	4058075617988	26W CFLP	18	1440	80	3000	30000	22000	120
SF CIRC 350 SEN V 18 W 840 IP44	■	4058075618008	26W CFLP	18	1440	80	4000	30000	22000	120
SF CIRC 400 SEN V 24 W 830 IP44	■	4058075618084	32W CFLP	24	1920	80	3000	30000	22000	120
SF CIRC 400 SEN V 24 W 840 IP44	■	4058075618121	32W CFLP	24	1920	80	4000	30000	22000	120



Product name	CRI	FLICKER VALUE	L x W x H [mm]	Ø x H [mm]
SF CIRC 250 SEN V 13 W 830 IP44	>80	<5 %	250 x 91	
SF CIRC 250 SEN V 13 W 840 IP44	>80	<5 %	250 x 91	
SF CIRC 350 SEN V 18 W 830 IP44	>80	<5 %	350 x 115	
SF CIRC 350 SEN V 18 W 840 IP44	>80	<5 %	350 x 115	
SF CIRC 400 SEN V 24 W 830 IP44	>80	<5 %	400 x 120	
SF CIRC 400 SEN V 24 W 840 IP44	>80	<5 %	400 x 120	

## SENSOR PROPERTIES

Product name	Type of sensor	Sensor technology	Detection threshold of daylight sensor	Detection range of motion sensor	Sensor detection angle	Sensor controlled switching time
SURFACE CIRCULAR 250 SENSOR	Motion/Light	Microwave	25 lx	8 m	110 °	5 s/1 min/3 min/10 min
SURFACE CIRCULAR 350 SENSOR	Motion/Light	Microwave	25 lx	8 m	110 °	5 s/1 min/3 min/10 min
SURFACE CIRCULAR 400 SENSOR	Motion/Light	Microwave	25 lx	8 m	110 °	5 s/1 min/3 min/10 min

<sup>1</sup> t [h]: L70/B50 @ 25 °C (Ta) / t [h]: L80/B10 @ 25 °C (Ta)



# SURFACE CIRCULAR COVER

Replacement cover for Surface Circular



- Easy replacement of the cover without changing the luminaire
- Opal cover made of PMMA
- Impact resistance: IK03

## AREAS OF APPLICATION

- Replacement for Surface Circular covers

Product name	GTIN (EAN)	L x W x H [mm] Ø x H [mm]	MATERIAL	COLOR	°	Icons
SF CIRCULAR 250 Cover	4058075156722	250 x 80	Polymethylmethacrylate (PMMA) / Polymethyl methacrylate (PMMA)	White	120	1
SF CIRCULAR 350 Cover	4058075156807	350 x 104	Polymethylmethacrylate (PMMA) / Polymethyl methacrylate (PMMA)	White	120	1
SF CIRCULAR 400 Cover	4058075156821	400 x 112	Polymethylmethacrylate (PMMA) / Polymethyl methacrylate (PMMA)	White	120	1

<sup>1</sup> Refer to [www.ledvance.com/guarantee](http://www.ledvance.com/guarantee) for precise conditions



## SURFACE BULKHEAD

Robust wall and ceiling luminaire for indoor or outdoor use



### PRODUCT FEATURES

- Housing and cover made of UV-resistant PC.
- Available in 2 diameters, 2 housing colors and 2 light colors
- Always order cover separately. Versions: ring or eyelid cover
- Impact resistance: IK10
- Type of protection: IP65

### PRODUCT BENEFITS

- Extremely versatile through switchable, HF-sensor and 3h single-battery versions
- Suitable for use in public areas thanks to high IK rating
- Easy installation on wall and ceiling with through-wiring option
- High luminous efficacy in normal operation
- All versions with 5-year guarantee, except emergency version: 3 years (built-in 3h battery)

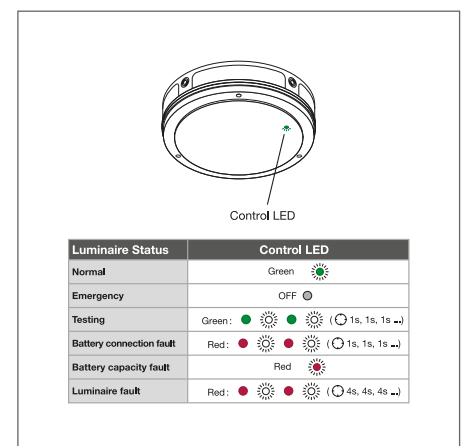
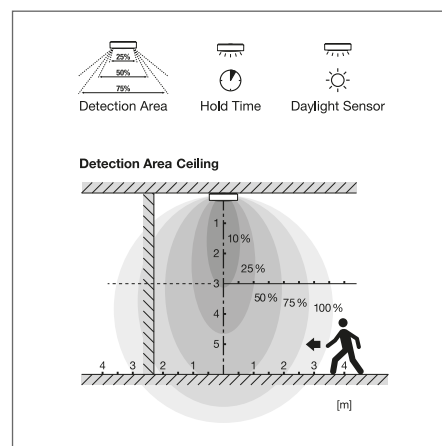
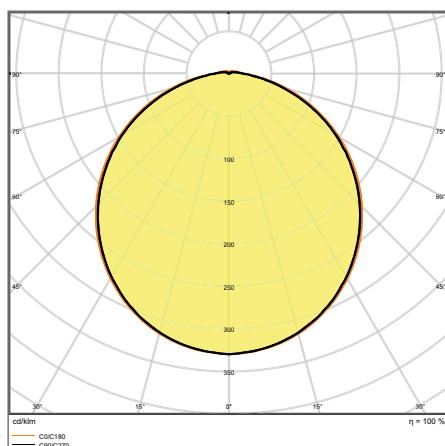
### AREAS OF APPLICATION

- Direct replacement for luminaires with fluorescent lamps
- Corridors, stairways, entrance areas
- Passages, underpasses
- Public areas

### EQUIPMENT / ACCESSORIES

- Additional cover rings in different designs available\*\*
- Mounting screws and dowels included

## FURTHER PRODUCT DETAILS



SF BLKH 250 10W/3000K WT IP65

\* All pictures show the luminaire with the accessory: SF BLKH RING. The accessory must be ordered separately.

\*\* Please note: available = available as an optional accessory.

<sup>1</sup> Versions with integrated sensor available

The pictures shown in the catalog are for illustration purposes only. For information on size and color, please refer to the product table.

## SURFACE BULKHEAD ON/OFF

Robust wall and ceiling luminaire with IP65 protection

Product name	Segmentation	GTIN (EAN)	RE-PLACE-MENT FOR	W	lm	lm/W	K	L70 <sup>1</sup>	L80 <sup>1</sup>	⚡
SF BLKH 250 10W/3000K WT IP65	■	4058075647145	1x16W CFL	10	800	80	3000	50000	35000	120
SF BLKH 250 10W/4000K WT IP65	■	4058075647169	1x16W CFL	10	800	80	4000	50000	35000	120
SF BLKH 250 10W/3000K BK IP65	■	4058075647183	1x16W CFL	10	800	80	3000	50000	35000	120
SF BLKH 250 10W/4000K BK IP65	■	4058075647206	1x16W CFL	10	800	80	4000	50000	35000	120
SF BLKH 300 15W/3000K WT IP65	■	4058075647466	1x28W CFL	15	1400	93	3000	50000	35000	120
SF BLKH 300 15W/4000K WT IP65	■	4058075647480	1x28W CFL	15	1400	93	4000	50000	35000	120
SF BLKH 300 15W/3000K BK IP65	■	4058075647503	1x28W CFL	15	1400	93	3000	50000	35000	120
SF BLKH 300 15W/4000K BK IP65	■	4058075647527	1x28W CFL	15	1400	93	4000	50000	35000	120



Product name	CRI	FLICKER VALUE	IK	L x W x H [mm] Ø x H [mm]	⚡ No.
SF BLKH 250 10W/3000K WT IP65	>80	<5 %	IK10	250x70	3
SF BLKH 250 10W/4000K WT IP65	>80	<5 %	IK10	250x70	3
SF BLKH 250 10W/3000K BK IP65	>80	<5 %	IK10	250x70	1
SF BLKH 250 10W/4000K BK IP65	>80	<5 %	IK10	250x70	1
SF BLKH 300 15W/3000K WT IP65	>80	<5 %	IK10	300x70	3
SF BLKH 300 15W/4000K WT IP65	>80	<5 %	IK10	300x70	3
SF BLKH 300 15W/3000K BK IP65	>80	<5 %	IK10	300x70	1
SF BLKH 300 15W/4000K BK IP65	>80	<5 %	IK10	300x70	1

## SURFACE BULKHEAD SENSOR

Robust wall and ceiling luminaire with IP65 protection and high-frequency sensor

Product name	Segmentation	GTIN (EAN)	RE-PLACE-MENT FOR	W	lm	lm/W	K	L70 <sup>1</sup>	L80 <sup>1</sup>	⚡
SF BLKH 250 S 10W/3000K WT IP65	■	4058075647220	1x16W CFL	10	800	80	3000	50000	35000	120
SF BLKH 250 S 10W/4000K WT IP65	■	4058075647244	1x16W CFL	10	800	80	4000	50000	35000	120
SF BLKH 250 S 10W/3000K BK IP65	■	4058075647268	1x16W CFL	10	800	80	3000	50000	35000	120
SF BLKH 250 S 10W/4000K BK IP65	■	4058075647282	1x16W CFL	10	800	80	4000	50000	35000	120
SF BLKH 300 S 15W/3000K WT IP65	■	4058075647541	1x28W CFL	15	1400	93	3000	50000	35000	120
SF BLKH 300 S 15W/4000K WT IP65	■	4058075647565	1x28W CFL	15	1400	93	4000	50000	35000	120
SF BLKH 300 S 15W/3000K BK IP65	■	4058075647589	1x28W CFL	15	1400	93	3000	50000	35000	120
SF BLKH 300 S 15W/4000K BK IP65	■	4058075647602	1x28W CFL	15	1400	93	4000	50000	35000	120



Product name	CRI	FLICKER VALUE	IK	L x W x H [mm] Ø x H [mm]	⚡ No.
SF BLKH 250 S 10W/3000K WT IP65	>80	<5 %	IK10	250x70	3
SF BLKH 250 S 10W/4000K WT IP65	>80	<5 %	IK10	250x70	3
SF BLKH 250 S 10W/3000K BK IP65	>80	<5 %	IK10	250x70	1
SF BLKH 250 S 10W/4000K BK IP65	>80	<5 %	IK10	250x70	1
SF BLKH 300 S 15W/3000K WT IP65	>80	<5 %	IK10	300x70	3
SF BLKH 300 S 15W/4000K WT IP65	>80	<5 %	IK10	300x70	3
SF BLKH 300 S 15W/3000K BK IP65	>80	<5 %	IK10	300x70	1
SF BLKH 300 S 15W/4000K BK IP65	>80	<5 %	IK10	300x70	1

<sup>1</sup> t [h]: L70/B50 @ 25 °C (Ta) / t [h]: L80/B10 @ 25 °C (Ta)

## SURFACE BULKHEAD EMERGENCY

Robust wall and ceiling luminaire with IP65 protection and integrated emergency lighting function

Product name	Segmentation	GTIN (EAN)	RE-PLACE-MENT FOR	W	lm	lm/W	K	L70 <sup>1</sup>	L80 <sup>1</sup>	△
SF BLKH 250 EM 10 W 3000 K WT IP65	■	4058075647305	1x16W CFL	10	800	80	3000	50000	35000	120
SF BLKH 250 EM 10 W 4000 K WT IP65	■	4058075647329	1x16W CFL	10	800	80	4000	50000	35000	120
SF BLKH 250 EM 10 W 3000 K BK IP65	■	4058075647343	1x16W CFL	10	800	80	3000	50000	35000	120
SF BLKH 250 EM 10 W 4000 K BK IP65	■	4058075647367	1x16W CFL	10	800	80	4000	50000	35000	120
SF BLKH 300 EM 15 W 3000 K WT IP65	■	4058075647626	1x28W CFL	15	1400	93	3000	50000	35000	120
SF BLKH 300 EM 15 W 4000 K WT IP65	■	4058075647640	1x28W CFL	15	1400	93	4000	50000	35000	120
SF BLKH 300 EM 15 W 3000 K BK IP65	■	4058075647664	1x28W CFL	15	1400	93	3000	50000	35000	120
SF BLKH 300 EM 15 W 4000 K BK IP65	■	4058075647688	1x28W CFL	15	1400	93	4000	50000	35000	120



Product name	CRI	FLICKER VALUE	IK	L x W x H [mm] Ø x H [mm]	No.
SF BLKH 250 EM 10 W 3000 K WT IP65	>80	<5 %	IK10	258x70	3
SF BLKH 250 EM 10 W 4000 K WT IP65	>80	<5 %	IK10	258x70	3
SF BLKH 250 EM 10 W 3000 K BK IP65	>80	<5 %	IK10	258x70	1
SF BLKH 250 EM 10 W 4000 K BK IP65	>80	<5 %	IK10	258x70	1
SF BLKH 300 EM 15 W 3000 K WT IP65	>80	<5 %	IK10	308x70	3
SF BLKH 300 EM 15 W 4000 K WT IP65	>80	<5 %	IK10	308x70	3
SF BLKH 300 EM 15 W 3000 K BK IP65	>80	<5 %	IK10	308x70	1
SF BLKH 300 EM 15 W 4000 K BK IP65	>80	<5 %	IK10	308x70	1

## SURFACE BULKHEAD SENSOR EMERGENCY

Robust wall and ceiling luminaire with IP65 protection, high-frequency sensor and integrated emergency lighting function

Product name	Segmentation	GTIN (EAN)	RE-PLACE-MENT FOR	W	lm	lm/W	K	L70 <sup>1</sup>	L80 <sup>1</sup>	△
SF BLKH 250 S EM 10W/3000K WT IP65	■	4058075647381	1x16W CFL	12	800	80	3000	50000	35000	120
SF BLKH 250 S EM 10W/4000K WT IP65	■	4058075647404	1x16W CFL	12	800	80	4000	50000	35000	120
SF BLKH 250 S EM 10W/3000K BK IP65	■	4058075647428	1x16W CFL	12	800	80	3000	50000	35000	120
SF BLKH 250 S EM 10W/4000K BK IP65	■	4058075647442	1x16W CFL	12	800	80	4000	50000	35000	120
SF BLKH 300 S EM 15W/3000K WT IP65	■	4058075647701	1x28W CFL	17	1400	93	3000	50000	35000	120
SF BLKH 300 S EM 15W/4000K WT IP65	■	4058075647725	1x28W CFL	17	1400	93	4000	50000	35000	120
SF BLKH 300 S EM 15W/3000K BK IP65	■	4058075647749	1x28W CFL	17	1400	93	3000	50000	35000	120
SF BLKH 300 S EM 15W/4000K BK IP65	■	4058075647763	1x28W CFL	17	1400	93	4000	50000	35000	120



Product name	CRI	FLICKER VALUE	IK	L x W x H [mm] Ø x H [mm]	No.
SF BLKH 250 S EM 10W/3000K WT IP65	>80	<5 %	IK10	258x70	3
SF BLKH 250 S EM 10W/4000K WT IP65	>80	<5 %	IK10	258x70	3
SF BLKH 250 S EM 10W/3000K BK IP65	>80	<5 %	IK10	258x70	1
SF BLKH 250 S EM 10W/4000K BK IP65	>80	<5 %	IK10	258x70	1
SF BLKH 300 S EM 15W/3000K WT IP65	>80	<5 %	IK10	308x70	3
SF BLKH 300 S EM 15W/4000K WT IP65	>80	<5 %	IK10	308x70	3
SF BLKH 300 S EM 15W/3000K BK IP65	>80	<5 %	IK10	308x70	1
SF BLKH 300 S EM 15W/4000K BK IP65	>80	<5 %	IK10	308x70	1

<sup>1</sup> t [h]: L70/B50 @ 25 °C (Ta) / t [h]: L80/B10 @ 25 °C (Ta)



## SENSOR PROPERTIES

Product name	Type of sensor	Sensor technology	Detection threshold of daylight sensor	Detection range of motion sensor	Sensor detection angle	Sensor controlled switching time
SURFACE BULKHEAD 250 SENSOR	Motion/Light	Microwave	25 lx	8 m	110 °	5 s/30 s/90 s/3 min/20 min/30 min
SURFACE BULKHEAD 300 SENSOR	Motion/Light	Microwave	25 lx	8 m	110 °	5 s/30 s/90 s/3 min/20 min/30 min
SURFACE BULKHEAD 250 SENSOR EMERGENCY	Motion/Light	Microwave	25 lx	8 m	110 °	5 s/30 s/90 s/3 min/20 min/30 min
SURFACE BULKHEAD 300 SENSOR EMERGENCY	Motion/Light	Microwave	25 lx	8 m	110 °	5 s/30 s/90 s/3 min/20 min/30 min

## EMERGENCY LIGHTING PROPERTIES

Product name	Battery life in emergency operation mode	Type of emergency operation test	Type of emergency light operation	Luminous flux in emergency operation mode	Type of Battery
SF BLKH 250 EM 10 W 3000 K WT IP65	3 h	Automatic	Maintained/Non-maintained	300 lm	LiFeP04
SF BLKH 250 EM 10 W 4000 K WT IP65	3 h	Automatic	Maintained/Non-maintained	300 lm	LiFeP04
SF BLKH 250 EM 10 W 3000 K BK IP65	3 h	Automatic	Maintained/Non-maintained	300 lm	LiFeP04
SF BLKH 250 EM 10 W 4000 K BK IP65	3 h	Automatic	Maintained/Non-maintained	300 lm	LiFeP04
SF BLKH 300 EM 15 W 3000 K WT IP65	3 h	Automatic	Maintained/Non-maintained	300 lm	LiFeP04
SF BLKH 300 EM 15 W 4000 K WT IP65	3 h	Automatic	Maintained/Non-maintained	300 lm	LiFeP04
SF BLKH 300 EM 15 W 3000 K BK IP65	3 h	Automatic	Maintained/Non-maintained	300 lm	LiFeP04
SF BLKH 300 EM 15 W 4000 K BK IP65	3 h	Automatic	Maintained/Non-maintained	300 lm	LiFeP04
SF BLKH 250 S EM 10W/3000K WT IP65	3 h	Automatic	Maintained/Non-maintained	300 lm	LiFeP04
SF BLKH 250 S EM 10W/4000K WT IP65	3 h	Automatic	Maintained/Non-maintained	300 lm	LiFeP04
SF BLKH 250 S EM 10W/3000K BK IP65	3 h	Automatic	Maintained/Non-maintained	300 lm	LiFeP04
SF BLKH 250 S EM 10W/4000K BK IP65	3 h	Automatic	Maintained/Non-maintained	300 lm	LiFeP04
SF BLKH 300 S EM 15W/3000K WT IP65	3 h	Automatic	Maintained/Non-maintained	300 lm	LiFeP04
SF BLKH 300 S EM 15W/4000K WT IP65	3 h	Automatic	Maintained/Non-maintained	300 lm	LiFeP04
SF BLKH 300 S EM 15W/3000K BK IP65	3 h	Automatic	Maintained/Non-maintained	300 lm	LiFeP04
SF BLKH 300 S EM 15W/4000K BK IP65	3 h	Automatic	Maintained/Non-maintained	300 lm	LiFeP04



## SURFACE BULKHEAD ACCESSORIES

Recommended equipment for Surface Bulkhead



- Wide range of applications thanks to a large variety of versions
- PC cover in white or black
- As a ring or with eyelid cover
- Anti-theft screw (Torx) included

### EQUIPMENT / ACCESSORIES

- Anti-theft screw included

### SURFACE BULKHEAD RING

Attachable cover ring (IK10)

Product name	GTIN (EAN)	L x W x H [mm] Ø x H [mm]	MATERIAL	COLOR	Quantity	No.
SF BLKH RING 250 WT	4058075399334	258 x 57	Polycarbonate (PC)	White	1	1
SF BLKH RING 250 BK	4058075399358	258 x 57	Polycarbonate (PC)	Black	1	2
SF BLKH RING 300 WT	4058075399372	308 x 57	Polycarbonate (PC)	White	1	1
SF BLKH RING 300 BK	4058075399396	308 x 57	Polycarbonate (PC)	Black	1	2

### SURFACE BULKHEAD EYELID

Attachable half-visor ring (IK10)

Product name	GTIN (EAN)	L x W x H [mm] Ø x H [mm]	MATERIAL	COLOR	Quantity	No.
SF BLKH EYELID 250 WT	4058075375482	258 x 64	Polycarbonate (PC) / Polycarbonate (PC)	White	1	3
SF BLKH EYELID 250 BK	4058075375505	258 x 64	Polycarbonate (PC) / Polycarbonate (PC)	Black	1	4
SF BLKH EYELID 300 WT	4058075375529	308 x 65	Polycarbonate (PC) / Polycarbonate (PC)	White	1	3
SF BLKH EYELID 300 BK	4058075375543	308 x 65	Polycarbonate (PC) / Polycarbonate (PC)	Black	1	4

<sup>1</sup> Refer to [www.ledvance.com/guarantee](http://www.ledvance.com/guarantee) for precise conditions



# PANEL LUMINAIRES

## SUITABLE FOR EVERY NEED: OUR FUNCTIONAL PANELS



**PERFORMANCE CLASS**

**1. PANEL INDIVILED**  
Page 70

The panel luminaire for perfectionists: perfect lighting and SCALE design 



**PERFORMANCE CLASS**

**2. PANEL IP54**  
Page 72

The tough panel luminaire: IP54 and resistant PMMA surface 



**PERFORMANCE CLASS**

**3. PANEL PERFORMANCE**  
Page 74

The panel luminaire for everyday applications and convenient installation 

### THE MOST IMPORTANT SPECIFICATIONS AT A GLANCE

	Product family	Specifications	Guarantee <sup>1</sup>	Installation accessories included	Available versions	Grid size
1	PANEL INDIVILED	Up to 120 lm/W 60,000 h (L80/B10 @ 25 °C) SDCM 3 UGR < 16 IP40/IK08	5 years	External driver with Fast Connector 4 x security and suspension brackets Security cable DALI types have 5-pole connector box for toolless installation and through-wiring	ON/OFF IoT-ready DALI/Zigbee versions (dimnable)	600 x 600 625 x 625
2	PANEL IP54	120 lm/W 60,000 h (L80/B10 @ 25 °C) SDCM 3 UGR < 22 IP54	5 years	External driver 4 x security and suspension brackets Security cable	ON/OFF DALI	600 x 600 625 x 625
3	PANEL PERFORMANCE	Up to 120 lm/W Up to 60,000 h (L80/B10 @ 25 °C) SDCM 3 UGR < 22/UGR < 19 IP40/IP20	5 years	External driver with Fast Connector 3- or 5-pole connector box for toolless installation and through-wiring (except TP(A) version) 4 x security & suspension brackets included Security wire (all Panel PFM 600 and 1200, except TP(A) versions)	ON/OFF IoT-ready DALI/Zigbee versions (dimnable) Emergency (with EM CONV BOX) CRI 90	600 x 600 625 x 625 1,200 x 300

<sup>1</sup> For precise terms and conditions go to [www.ledvance.com/guarantee](http://www.ledvance.com/guarantee)



VALUE CLASS



**4. PANEL VALUE**  
Page 78

The value model for cost-effective applications



**5. PANEL ACCESSORIES**  
Page 80

Versatile mounting options



**THE MOST IMPORTANT SPECIFICATIONS AT A GLANCE**

Product family	Specifications	Guarantee <sup>1</sup>	Installation accessories included	Available versions	Grid size
<b>4</b> PANEL VALUE	Up to 100 lm/W 50,000 h (L70/B50 @ 25 °C) SDCM 5 UGR < 22/UGR < 19 IP40	3 years	External driver with Fast Connector 2 x security brackets	ON/OFF DALI Emergency (with EM CONV BOX)	600 x 600 625 x 625 1,200 x 600

<sup>1</sup> For precise terms and conditions go to [www.ledvance.com/guarantee](http://www.ledvance.com/guarantee)

# PANEL INDIVILED®

Recessed luminaires with IndiviLED optics®



## PRODUCT FEATURES

- Metal housing, lenses and reflectors made of polycarbonate (PC)
- Each LED with individual lens and reflector for UGR ≤ 16 and homogenous light distribution
- Lifetime (L80/B10): up to 60,000 h (at 25 °C)
- Initial color consistency: 3 SDCM
- Accessories available for various recessed and surface-mounted options

## PRODUCT BENEFITS

- Homogenous light distribution and reduced glare thanks to the IndiviLED® optics
- Low-flicker light
- Robust structure with IK08
- Versions available with on/off, IoT-ready DALI-2.0 or Zigbee 3.0 or emergency lighting function acc. to IEC 60598-2-22
- 5 years guarantee

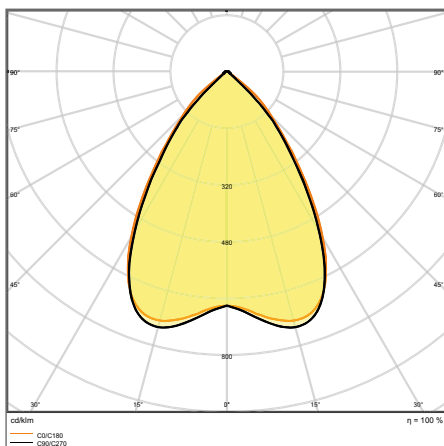
## AREAS OF APPLICATION

- Direct replacement for luminaires with fluorescent lamps
- Corridors
- Offices
- Conference rooms
- Reception areas

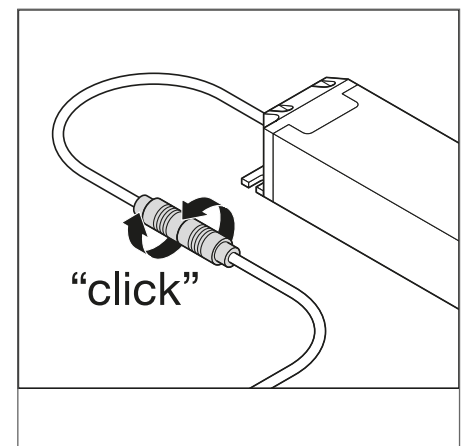
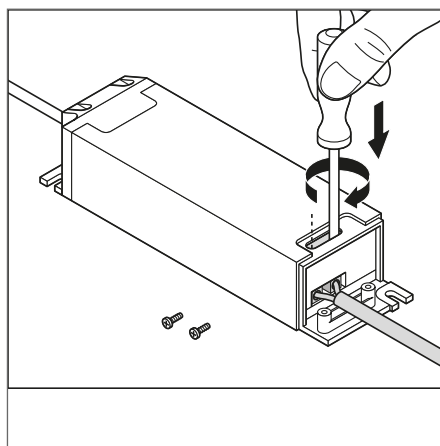
## EQUIPMENT / ACCESSORIES

- Accessories for several mounting options available\*
- Security rope for luminaire included
- External control gear included

## FURTHER PRODUCT DETAILS



PANEL INDV EM 600 33 W 4000 K



\* Please note: available = available as an optional accessory.

<sup>1</sup> The ENEC and TÜV certifications apply exclusively to the switchable versions of the luminaire family, DALI versions and versions for emergency lighting are excepted. |

<sup>2</sup> A 5-year guarantee applies to standard and DALI types; a 3-year guarantee for emergency versions.

The pictures shown in the catalog are for illustration purposes only. For information on size and color, please refer to the product table.

## PANEL INDIVILED®

Square, recessed luminaires with IndiviLED® optics

Product name	Segmentation	GTIN (EAN)	RE-PLACE-MENT FOR	W	lm	lm/W	K	L70 <sup>1</sup>	L80 <sup>1</sup>	°
PANEL INDV 600 33 W 3000 K	■	4058075201132	4x18W/4x14W FL	33	3800	115	3000	80000	60000	70
PANEL INDV 600 33 W 4000 K	■	4058075201156	4x18W/4x14W FL	33	4000	120	4000	80000	60000	70
PANEL INDV 625 33 W 4000 K	■	4058075201194	4x18W/4x14W FL	33	4000	120	4000	80000	60000	70
PANEL INDV 600 33 W 3000 K DALI	■	4058075503885	4x18W/4x14W FL	33	3800	115	3000	80000	60000	70
PANEL INDV 600 33 W 4000 K DALI	■	4058075503861	4x18W/4x14W FL	33	3800	115	4000	80000	60000	70
PANEL INDV 625 33 W 4000 K DALI	■	4058075503922	4x18W/4x14W FL	33	3800	115	4000	80000	60000	70
PANEL INDV 600 33 W-4000 K ZBVR	■	4058075521841	4x18W/4x14W FL	33	4000	115	4000	80000	60000	70
PANEL INDV 625 33W-4000 K ZBVR	■	4058075521865	4x18W/4x14W FL	33	4000	115	4000	80000	60000	70



Product name	CRI	UGR	FLICKER VALUE	IK	9	L x W x H [mm] Ø x H [mm]
PANEL INDV 600 33 W 3000 K	≥80	<16	-	IK08	3500	595 x 595 x 13
PANEL INDV 600 33 W 4000 K	≥80	<16	-	IK08	3500	595 x 595 x 13
PANEL INDV 625 33 W 4000 K	≥80	<16	-	IK08	3600	620 x 620 x 13
PANEL INDV 600 33 W 3000 K DALI	≥80	<16	<5 %	IK08	3500	595 x 595 x 13
PANEL INDV 600 33 W 4000 K DALI	≥80	<16	<5 %	IK08	3500	595 x 595 x 13
PANEL INDV 625 33 W 4000 K DALI	≥80	<16	<5 %	IK08	3600	620 x 620 x 13
PANEL INDV 600 33 W-4000 K ZBVR	≥80	<16	<10 %	IK08	3500	595 x 595 x 13
PANEL INDV 625 33 W-4000 K ZBVR	≥80	<16	<10 %	IK08	3500	620 x 620 x 13

## PANEL INDIVILED® EMERGENCY

Square recessed luminaire with IndiviLED® optics, self-contained emergency luminaire

Product name	Segmentation	GTIN (EAN)	RE-PLACE-MENT FOR	W	lm	lm/W	K	L70 <sup>1</sup>	L80 <sup>1</sup>	°
PANEL INDV EM 600 33 W 3000 K	■	4058075201293	4x18W/4x14W FL	33	3800	115	3000	80000	60000	70
PANEL INDV EM 600 33 W 4000 K	■	4058075201316	4x18W/4x14W FL	33	4000	120	4000	80000	60000	70
PANEL INDV EM 625 33 W 4000 K	■	4058075201354	4x18W/4x14W FL	33	4000	120	4000	80000	60000	70



Product name	CRI	UGR	IK	9	L x W x H [mm] Ø x H [mm]
PANEL INDV EM 600 33 W 3000 K	≥80	<16	IK08	3700	595 x 595 x 13
PANEL INDV EM 600 33 W 4000 K	≥80	<16	IK08	3700	595 x 595 x 13
PANEL INDV EM 625 33 W 4000 K	≥80	<16	IK08	3800	620 x 620 x 13

## EMERGENCY LIGHTING PROPERTIES

Product name	Battery life in emergency operation mode	Type of emergency operation test	Type of emergency light operation	Luminous flux in emergency operation mode	Type of Battery
PANEL INDV EM 600 33 W 3000 K	3 h	Automatic	Maintained/Non-maintained	450 lm	LiFeP04
PANEL INDV EM 600 33 W 4000 K	3 h	Automatic	Maintained/Non-maintained	480 lm	LiFeP04
PANEL INDV EM 625 33 W 4000 K	3 h	Automatic	Maintained/Non-maintained	480 lm	LiFeP04

<sup>1</sup> t [h]: L70/B50 @ 25 °C (Ta) / t [h]: L80/B10 @ 25 °C (Ta)

## PANEL IP54

Recessed panel luminaires with IP54 protection



### PRODUCT FEATURES

- Aluminum housing, PMMA diffuser
- Lifetime (L80/B10): up to 60,000 h (at 25 °C)
- Initial color consistency: 3 SDCM
- Type of protection: IP54 (room side)
- Accessories available for various recessed and surface-mounted options

### PRODUCT BENEFITS

- Suitable for use in dusty and damp locations thanks to high IP rating
- Low-flicker light
- Energy savings of up to 50 % (compared to luminaires that use fluorescent lamps)
- 5 years guarantee

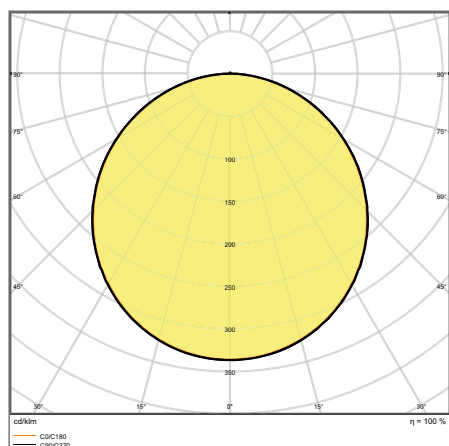
### AREAS OF APPLICATION

- Direct replacement for luminaires with fluorescent lamps
- Hospitals
- Laboratories
- Suitable for recessed ceiling systems with grid size of 600 x 600 mm
- Kitchens, workspaces

### EQUIPMENT / ACCESSORIES

- Accessories for several mounting options available\*
- External control gear included

## FURTHER PRODUCT DETAILS



PANEL 600 IP54 36 W 3000 K OP WT

\* Please note: available = available as an optional accessory.

<sup>1</sup> The ENEC and TÜV certifications apply exclusively to the switchable versions of the luminaire family, DALI versions are excepted.

<sup>2</sup> Refer to [www.ledvance.com/guarantee](http://www.ledvance.com/guarantee) for precise conditions

The pictures shown in the catalog are for illustration purposes only. For information on size and color, please refer to the product table.



Product name	Segmentation	GTIN (EAN)	RE- PLACE- MENT FOR	W	lm	lm/W	K	L70	L80		
PANEL 600 IP54 36 W 3000 K OP WT	■	4058075149489	4x18W/4x14W FL	36	4320	120	3000	80000	60000	120	-
PANEL 600 IP54 36 W 4000 K OP WT	■	4058075149502	4x18W/4x14W FL	36	4320	120	4000	80000	60000	120	-
PANEL 625 IP54 36 W 3000 K OP WT	■	4058075149526	4x18W/4x14W FL	36	4320	120	3000	80000	60000	120	-
PANEL 625 IP54 36 W 4000 K OP WT	■	4058075149540	4x18W/4x14W FL	36	4320	120	4000	80000	60000	120	-
PANEL 600 IP54 36 W 3000 K OP WT DALI	■	4058075217720	4x18W/4x14W FL	36	4320	120	3000	80000	60000	120	DALI
PANEL 600 IP54 36 W 4000 K OP WT DALI	■	4058075217744	4x18W/4x14W FL	36	4320	120	4000	80000	60000	120	DALI
PANEL 625 IP54 36 W 3000 K OP WT DALI	■	4058075217768	4x18W/4x14W FL	36	4320	120	3000	80000	60000	120	DALI
PANEL 625 IP54 36 W 4000 K OP WT DALI	■	4058075217782	4x18W/4x14W FL	36	4320	120	4000	80000	60000	120	DALI

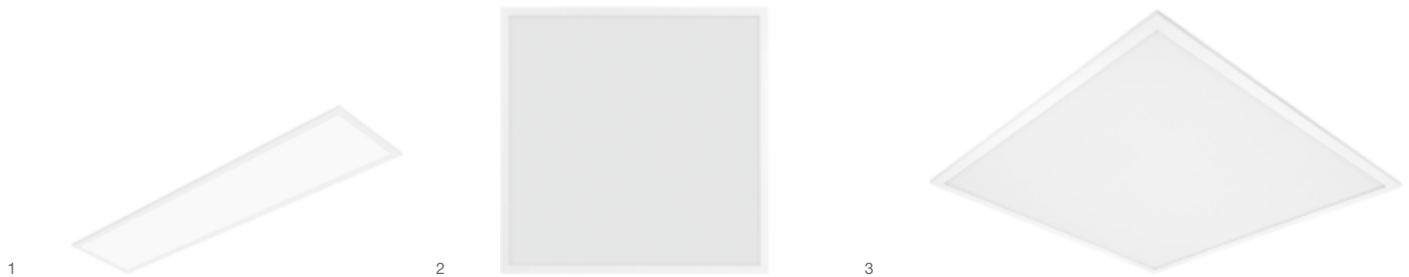


Product name	CRI	FLICKER VALUE	IK		L x W x H [mm] Ø x H [mm]
PANEL 600 IP54 36 W 3000 K OP WT	>80	-	-	3200	595x595x12.6
PANEL 600 IP54 36 W 4000 K OP WT	>80	-	-	3200	595x595x12.6
PANEL 625 IP54 36 W 3000 K OP WT	>80	-	-	3200	620x620x12.6
PANEL 625 IP54 36 W 4000 K OP WT	>80	-	-	3200	620x620x12.6
PANEL 600 IP54 36 W 3000 K OP WT DALI	≥80	<2 %	IK06	3200	595x595x12.6
PANEL 600 IP54 36 W 4000 K OP WT DALI	≥80	<2 %	IK06	3200	595x595x12.6
PANEL 625 IP54 36 W 3000 K OP WT DALI	≥80	<2 %	IK06	3200	620x620x12.6
PANEL 625 IP54 36 W 4000 K OP WT DALI	≥80	<2 %	IK06	3200	620x620x12.6

<sup>1</sup> t [h]: L70/B50 @ 25 °C (Ta) / t [h]: L80/B10 @ 25 °C (Ta)

## PANEL PERFORMANCE GEN 3

Recessed panel luminaires with high luminous efficacy up to 120 lm/W and tool-free installation



### PRODUCT FEATURES

- Extruded aluminium frame, Polystyrene diffuser
- Lifetime (L80/B10): up to 60,000 h (at 25 °C)
- High luminous efficacy: up to 120 lm/W
- 3-pole terminal block, cable cross section up to 3x2.5mm<sup>2</sup> (25 & 30W versions)
- DALI versions with DALI 2.0 IoT-ready driver, excluding UGR<19 TPA version

### PRODUCT BENEFITS

- Comfortable light and high color consistency SDCM ≤3
- Through-wiring possible up to 2,5qmm with included connector box
- Low-flicker light thanks to special electronic control gear
- Energy savings thanks to high system efficacy of up to 120 lm/W
- 5 years guarantee

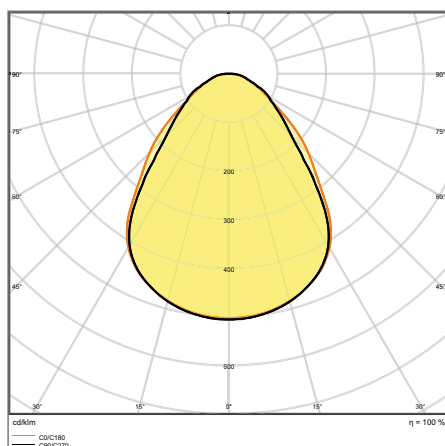
### AREAS OF APPLICATION

- Direct replacement for luminaires with fluorescent lamps
- Offices, conference rooms
- Reception areas, foyers, corridors, elevators

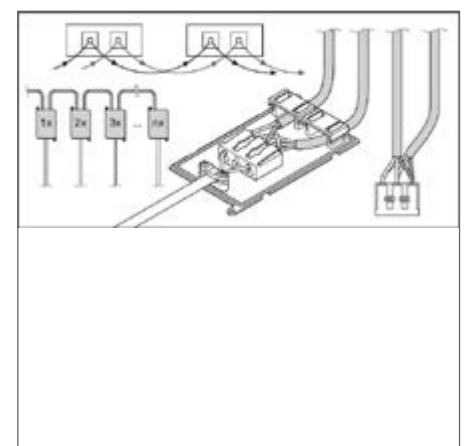
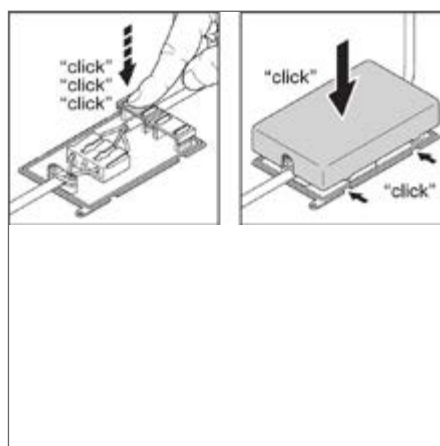
### EQUIPMENT / ACCESSORIES

- Accessories for several mounting options available\*
- Connector box with 3-pole or 5-pole terminal included
- Security rope for luminaire included

## FURTHER PRODUCT DETAILS



PL PFM 600 UGR19 30 W 3000 K



\* Please note: available = available as an optional accessory.

The pictures shown in the catalog are for illustration purposes only. For information on size and color, please refer to the product table.

### PANEL PERFORMANCE GEN 3

Recessed panel luminaires with high luminous efficacy up to 120 lm/W and tool-free installation

Product name	Segmentation	GTIN (EAN)	W	Im	lm/W	K	L70	L80	△	⌚
PL PFM 600 25 W 3000 K	■	4058075440159	25	3000	120	3000	100000	60000	120	-
PL PFM 600 25 W 4000 K	■	4058075440197	25	3000	120	4000	100000	60000	120	-
PL PFM 600 30 W 3000 K	■	4058075440234	30	3600	120	3000	100000	60000	120	-
PL PFM 600 30 W 4000 K	■	4058075440258	30	3600	120	4000	100000	60000	120	-
PL PFM 600 36 W 3000 K	■	4058075440319	36	4320	120	3000	100000	60000	120	-
PL PFM 600 36 W 4000 K	■	4058075440333	36	4320	120	4000	100000	60000	120	-
PL PFM 625 25 W 3000 K	■	4058075440494	25	3000	120	3000	100000	60000	120	-
PL PFM 625 25 W 4000 K	■	4058075440517	25	3000	120	4000	100000	60000	120	-
PL PFM 625 30 W 3000 K	■	4058075440531	30	3600	120	3000	100000	60000	120	-
PL PFM 625 30 W 4000 K	■	4058075440555	30	3600	120	4000	100000	60000	120	-
PL PFM 625 36 W 3000 K	■	4058075440678	36	4320	120	3000	100000	60000	120	-
PL PFM 625 36 W 4000 K	■	4058075440692	36	4320	120	4000	100000	60000	120	-
PL PFM 1200 33 W 3000 K	■	4058075440050	33	4000	120	3000	100000	60000	120	-
PL PFM 1200 33 W 4000 K	■	4058075440074	33	4000	120	4000	100000	60000	120	-
PL PFM 600 DALI 30 W-3000 K	■	4058075537972	30	3600	120	3000	100000	60000	120	DALI
PL PFM 600 DALI 30 W-4000 K	■	4058075538037	30	3600	120	4000	100000	60000	120	DALI
PL PFM 600 36 W/3000 K DALI	■	4058075440357	36	4320	120	3000	100000	60000	120	DALI
PL PFM 600 36 W/4000 K DALI	■	4058075440395	36	4320	120	4000	100000	60000	120	DALI
PL PFM 600 36 W-4000 K ZBVR	■	4058075522824	36	4320	120	4000	100000	60000	120	Zigbee
PL PFM 625 DALI 30 W-3000 K	■	4058075538160	30	3600	120	3000	100000	60000	120	DALI
PL PFM 625 DALI 30 W-4000 K	■	4058075538191	30	3600	120	4000	100000	60000	120	DALI
PL PFM 625 36 W/3000 K DALI	■	4058075440616	36	4320	120	3000	100000	60000	120	DALI
PL PFM 625 36 W/4000 K DALI	■	4058075440654	36	4320	120	4000	100000	60000	120	DALI
PL PFM 625 36 W-4000 K ZBVR	■	4058075522848	36	4320	120	4000	100000	60000	120	Zigbee
PL PFM 1200 33W/3000 K DALI	■	4058075440135	33	4000	120	3000	100000	60000	120	DALI
PL PFM 1200 33 W/4000 K DALI	■	4058075440173	33	4000	120	4000	100000	60000	120	DALI



Product name	CRI	FLICKER VALUE	IP	g	L x W x H [mm] Ø x H [mm]	⚡ No.
PL PFM 600 25 W 3000 K	>80	<5 %	IP40/IP20	1600	595 x 595 x 32	2
PL PFM 600 25 W 4000 K	>80	<5 %	IP40/IP20	1600	595 x 595 x 32	2
PL PFM 600 30 W 3000 K	>80	<5 %	IP40/IP20	1600	595 x 595 x 32	2
PL PFM 600 30 W 4000 K	>80	<5 %	IP40/IP20	1600	595 x 595 x 32	2
PL PFM 600 36 W 3000 K	>80	<5 %	IP40/IP20	1650	595 x 595 x 32	2
PL PFM 600 36 W 4000 K	>80	<5 %	IP40/IP20	1650	595 x 595 x 32	2
PL PFM 625 25 W 3000 K	>80	<5 %	IP40/IP20	1850	620 x 620 x 32	3
PL PFM 625 25 W 4000 K	>80	<5 %	IP40/IP20	1850	620 x 620 x 32	3
PL PFM 625 30 W 3000 K	>80	<5 %	IP40/IP20	1900	620 x 620 x 32	3
PL PFM 625 30 W 4000 K	>80	<5 %	IP40/IP20	1850	620 x 620 x 32	3
PL PFM 625 36 W 3000 K	>80	<5 %	IP40/IP20	1800	620 x 620 x 32	3
PL PFM 625 36 W 4000 K	>80	<5 %	IP40/IP20	1800	620 x 620 x 32	3
PL PFM 1200 33 W 3000 K	>80	<5 %	IP40	1600	1195 x 295 x 9	1
PL PFM 1200 33 W 4000 K	>80	<5 %	IP40	1600	1195 x 295 x 9	1
PL PFM 600 DALI 30 W-3000 K	>80	<5 %	IP40/IP20	1700	595 x 595 x 32	2
PL PFM 600 DALI 30 W-4000 K	>80	<5 %	IP40/IP20	1700	595 x 595 x 32	2
PL PFM 600 36 W/3000 K DALI	>80	<5 %	IP40/IP20	1750	595 x 595 x 32	2
PL PFM 600 36 W/4000 K DALI	>80	<5 %	IP40/IP20	1750	595 x 595 x 32	2
PL PFM 600 36 W-4000 K ZBVR	>80	<5 %	IP40/IP20	1650	595 x 595 x 32	2
PL PFM 625 DALI 30 W-3000 K	>80	<5 %	IP40/IP20	1900	620 x 620 x 32	3
PL PFM 625 DALI 30 W-4000 K	>80	<5 %	IP40/IP20	1900	620 x 620 x 32	3
PL PFM 625 36 W/3000 K DALI	>80	<5 %	IP40/IP20	1900	620 x 620 x 32	3
PL PFM 625 36 W/4000 K DALI	>80	<5 %	IP40/IP20	1900	620 x 620 x 32	3
PL PFM 625 36 W-4000 K ZBVR	>80	<5 %	IP40/IP20	1800	620 x 620 x 32	3
PL PFM 1200 33 W/3000 K DALI	>80	<5 %	IP40	1600	1195 x 295 x 9	1
PL PFM 1200 33 W/4000 K DALI	>80	<5 %	IP40	1600	1195 x 295 x 9	1

<sup>1</sup> t [h]: L70/B50 @ 25 °C (Ta) / t [h]: L80/B10 @ 25 °C (Ta)

PANEL PERFORMANCE UGR<19

Square recessed panel luminaires with luminous efficacy up to 120 lm/Ws, low glare

Product name	Segmentation	GTIN (EAN)	W	Im	lm/W	K	L70	L80	°	
PL PFM 600 UGR19 30 W 3000 K	■	4058075440272	30	3600	120	3000	100000	60000	90	-
PL PFM 600 UGR19 30 W 4000 K	■	4058075440296	30	3600	120	4000	100000	60000	90	-
PL PFM 600 30 W-940 UGR19	■	4058075521940	30	3150	105	4000	100000	60000	90	-
PL PFM 600 UGR19 36 W 3000 K	■	4058075440418	36	4320	120	3000	100000	60000	90	-
PL PFM 600 UGR19 36 W 4000 K	■	4058075440432	36	4320	120	4000	100000	60000	90	-
PL PFM 600 36 W-940 UGR19	■	4058075521964	36	3750	105	4000	100000	60000	90	-
PL PFM 625 UGR19 30 W 3000 K	■	4058075440579	30	3600	120	3000	100000	60000	90	-
PL PFM 625 UGR19 30 W 4000 K	■	4058075440593	30	3600	120	4000	100000	60000	90	-
PL PFM 625 UGR19 36 W 3000 K	■	4058075440715	36	4320	120	3000	100000	60000	90	-
PL PFM 625 UGR19 36 W 4000 K	■	4058075440739	36	4320	120	4000	100000	60000	90	-
PL PFM UGR19 30 W 4000 K	■	4058075440111	30	3600	120	4000	100000	60000	90	-
PL PFM UGR19 30 W 3000 K	■	4058075440098	30	3450	115	3000	100000	60000	90	-
PL PFM 1200 30 W-940 UGR19	■	4058075522008	30	3000	100	4000	100000	60000	90	-
PL PFM 600 DALI 30 W-3000 K UGR19	■	4058075538085	30	3600	120	3000	100000	60000	90	DALI
PL PFM 600 DALI 30 W-4000 K UGR19	■	4058075538122	30	3600	120	4000	100000	60000	90	DALI
PL PFM 600 UGR19 36W/3000 K DALI	■	4058075440456	36	4320	120	3000	100000	60000	90	DALI
PL PFM 600 UGR19 36W/4000 K DALI	■	4058075440470	36	4320	120	4000	100000	60000	90	DALI
PL PFM 600 36 W-940 UGR19 DALI	■	4058075521988	36	3750	105	4000	100000	60000	90	DALI
PL PFM 600 36 W-4000 K UGR19 ZBVR	■	4058075522862	36	4320	120	4000	100000	60000	90	Zigbee
PL PFM 625 DALI 30 W 3000 K-UGR19	■	4058075538221	30	3600	120	3000	100000	60000	90	DALI
PL PFM 625 DALI 30 W-4000 K UGR19	■	4058075538252	30	3600	120	4000	100000	60000	90	DALI
PL PFM 625 UGR19 36 W/3000 K DALI	■	4058075440753	36	4320	120	3000	100000	60000	90	DALI
PL PFM 625 UGR19 36 W/4000 K DALI	■	4058075440777	36	4320	120	4000	100000	60000	90	DALI
PL PFM 625 36 W-4000 K UGR19 ZBVR	■	4058075522886	36	4320	120	4000	100000	60000	90	Zigbee
PL PFM UGR19 30 W/3000 K DALI	■	4058075440210	30	3450	115	3000	100000	60000	90	DALI
PL PFM UGR19 30 W/4000 K DALI	■	4058075440630	30	3600	120	4000	100000	60000	90	DALI
PL PFM 1200 30 W-940 UGR19 DALI	■	4058075522022	30	3000	100	4000	100000	60000	90	DALI



Product name	CRI	UGR	FLICKER VALUE	IP	g	L x W x H [mm] Ø x H [mm]	No.
PL PFM 600 UGR19 30 W 3000 K	>80	<19	<5 %	IP40/IP20	1900	595 x 595 x 32	2
PL PFM 600 UGR19 30 W 4000 K	>80	<19	<5 %	IP40/IP20	1900	595 x 595 x 32	2
PL PFM 600 30 W-940 UGR19	>90	<19	<5 %	IP40/IP20	1900	595 x 595 x 32	2
PL PFM 600 UGR19 36 W 3000 K	>80	<19	<5 %	IP40/IP20	1900	595 x 595 x 32	2
PL PFM 600 UGR19 36 W 4000 K	>80	<19	<5 %	IP40/IP20	1900	595 x 595 x 32	2
PL PFM 600 36 W-940 UGR19	>90	<19	<5 %	IP40/IP20	1900	595 x 595 x 32	2
PL PFM 625 UGR19 30 W 3000 K	>80	<19	<5 %	IP40/IP20	2050	620 x 620 x 32	3
PL PFM 625 UGR19 30 W 4000 K	>80	<19	<5 %	IP40/IP20	2050	620 x 620 x 32	3
PL PFM 625 UGR19 36 W 3000 K	>80	<19	<5 %	IP40/IP20	2100	620 x 620 x 32	3
PL PFM 625 UGR19 36 W 4000 K	>80	<19	<5 %	IP40/IP20	2100	620 x 620 x 32	3
PL PFM UGR19 30 W 4000 K	>80	<19	<5 %	IP40	1700	1195 x 295 x 9	1
PL PFM UGR19 30 W 3000 K	>80	<19	<5 %	IP40	1700	1195 x 295 x 9	1
PL PFM 1200 30 W-940 UGR19	>90	<19	<5 %	IP40/IP20	1700	1195 x 295 x 9	1
PL PFM 600 DALI 30 W-3000 K UGR19	>80	<19	<5 %	IP40/IP20	1950	595 x 595 x 32	2
PL PFM 600 DALI 30 W-4000 K UGR19	>80	<19	<5 %	IP40/IP20	1950	595 x 595 x 32	2
PL PFM 600 UGR19 36 W/3000 K DALI	>80	<19	<5 %	IP40/IP20	2000	595 x 595 x 32	2
PL PFM 600 UGR19 36 W/4000 K DALI	>80	<19	<5 %	IP40/IP20	2000	595 x 595 x 32	2
PL PFM 600 36 W-940 UGR19 DALI	>90	<19	<5 %	IP40/IP20	2000	595 x 595 x 32	2
PL PFM 600 36 W-4000 K UGR19 ZBVR	>80	<19	<5 %	IP40/IP20	1900	595 x 595 x 32	2
PL PFM 625 DALI 30 W 3000 K-UGR19	>80	<19	<5 %	IP40/IP20	2200	620 x 620 x 32	3
PL PFM 625 DALI 30 W-4000 K UGR19	>80	<19	<5 %	IP40/IP20	2200	620 x 620 x 32	3
PL PFM 625 UGR19 36 W/3000 K DALI	>80	<19	<5 %	IP40/IP20	2200	620 x 620 x 32	3
PL PFM 625 UGR19 36 W/4000 K DALI	>80	<19	<5 %	IP40/IP20	2200	620 x 620 x 32	3
PL PFM 625 36 W-4000 K UGR19 ZBVR	>80	<19	<5 %	IP40/IP20	2100	620 x 620 x 32	3
PL PFM UGR19 30 W/3000 K DALI	>80	<19	<5 %	IP40	1700	1195 x 295 x 9	1
PL PFM UGR19 30 W/4000 K DALI	>80	<19	<5 %	IP40	1700	1195 x 295 x 9	1
PL PFM 1200 30 W-940 UGR19 DALI	>90	<19	<5 %	IP40/IP20	1700	1195 x 295 x 9	1

<sup>1</sup> t [h]: L70/B50 @ 25 °C (Ta) / t [h]: L80/B10 @ 25 °C (Ta)

## PANEL PERFORMANCE 600 UGR<19 TPA

Square recessed panel luminaires with TP(A) rated diffuser, low glare, 600 x 600 mm

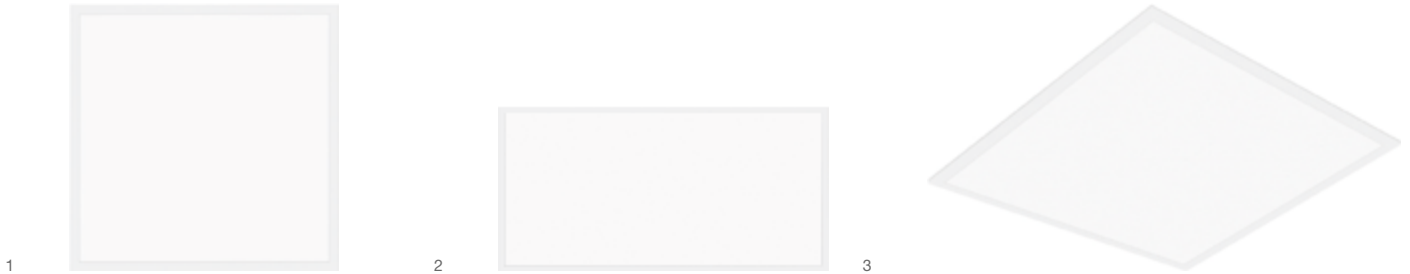
Product name	Segmentation	GTIN (EAN)	RE-PLACEMENT FOR	W	lm	lm/W	K	L70	L80	°
PANEL PFM 600 UGR < 19 TPA 36 W 4000 K WT	■	4058075 <b>384309</b>	4x18W/4x14W FL	36	3960	110	4000	50000	50000	90
PANEL PFM 600 UGR < 19 TPA 36 W 4000 K WT DALI	■	4058075 <b>384323</b>	4x18W/4x14W FL	36	3960	110	4000	50000	50000	90



Product name	CRI	UGR	IP	g	L x W x H [mm]	Ø x H [mm]
PANEL PFM 600 UGR < 19 TPA 36 W 4000 K WT	>80	<19	IP40	1800	595 x 595 x 34	
PANEL PFM 600 UGR < 19 TPA 36 W 4000 K WT DALI	>80	<19	IP40	1800	595 x 595 x 34	

# PANEL VALUE

Recessed panel luminaires



## PRODUCT FEATURES

- Extruded aluminum frame
- Polystyrene diffuser
- Lifetime (L70/B50): 50,000 h (at 25 °C)
- Accessories available for various recessed and surface-mounted options

## PRODUCT BENEFITS

- Good glare reduction (UGR<19)
- Low-flicker light
- Value for money luminaire

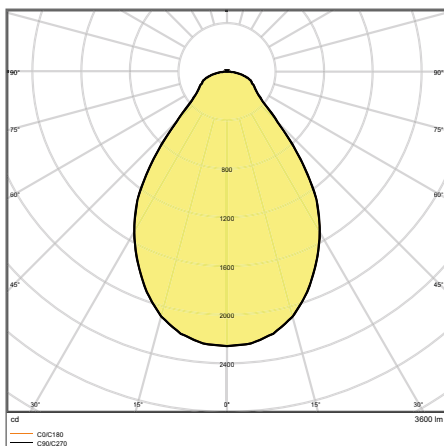
## AREAS OF APPLICATION

- Direct replacement for luminaires with fluorescent lamps
- Offices, conference rooms
- Reception areas, foyers, corridors, elevators
- Suitable for recessed ceiling systems with grid size of 600 x 600 mm

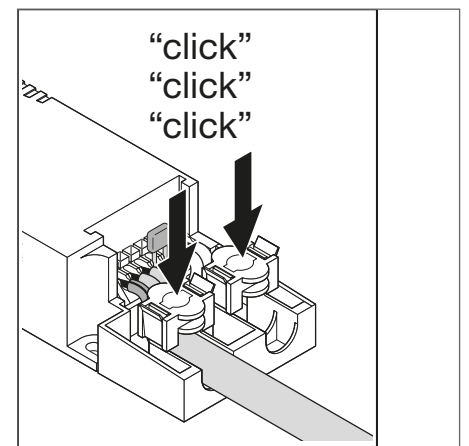
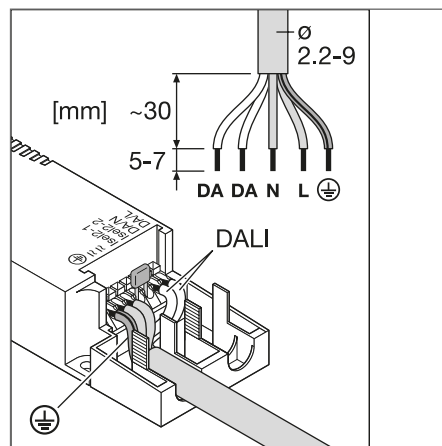
## EQUIPMENT / ACCESSORIES

- Accessories for several mounting options available\*
- External control gear included
- Security brackets included

## FURTHER PRODUCT DETAILS



PANEL VAL 600 36 W 3000 K WT



\* Please note: available = available as an optional accessory.  
 † Refer to [www.ledvance.com/guarantee](http://www.ledvance.com/guarantee) for precise conditions

The pictures shown in the catalog are for illustration purposes only. For information on size and color, please refer to the product table.

## PANEL VALUE

## Recessed panel luminaires

Product name	Segmentation	GTIN (EAN)	RE-PLACEMENT FOR	W	lm	lm/W	K	L70 <sup>1</sup>	L80 <sup>1</sup>	°
PANEL VAL 600 36 W 3000 K WT	■	4058075392366	4x18W/4x14W FL	36	3600	100	3000	50000	50000	120
PANEL VAL 600 36 W 4000 K WT	■	4058075392380	4x18W/4x14W FL	36	3600	100	4000	50000	50000	120
PANEL VAL 600 36 W 6500 K WT	■	4058075392403	4x18W/4x14W FL	36	3600	100	6500	50000	50000	120
PANEL VAL 600 36 W 3000 K WT DALI	■	4058075392441	4x18W/4x14W FL	36	3600	100	3000	50000	50000	120
PANEL VAL 600 36 W 4000 K WT DALI	■	4058075392465	4x18W/4x14W FL	36	3600	100	4000	50000	50000	120
PANEL VAL 600 36 W 6500 K WT DALI	■	4058075392489	4x18W/4x14W FL	36	3600	100	6500	50000	50000	120
PANEL VAL 600 UGR < 19 36 W 3000 K WT	■	4058075392427	4x18W/4x14W FL	36	3600	100	3000	50000	50000	90
PANEL VAL 600 UGR < 19 36 W 4000 K WT	■	4058118142200	4x18W/4x14W FL	36	3600	100	4000	50000	50000	90
PANEL VAL 625 UGR < 19 36 W 4000 K WT	■	4058075392588	4x18W/4x14W FL	36	3600	100	4000	50000	50000	90
PANEL VAL 600 UGR < 19 36 W 3000 K WT DALI	■	4058075392502	4x18W/4x14W FL	36	3600	100	3000	50000	50000	90
PANEL VAL 600 UGR < 19 36 W 4000 K WT DALI	■	4058075392526	4x18W/4x14W FL	36	3600	100	4000	50000	50000	90
PANEL VAL DALI 625 UGR < 19 36 W 4000 K WT DALI	■	4058075392601	4x18W/4x14W FL	36	3600	100	4000	50000	50000	90



Product name	CRI	UGR	FLICKER VALUE	g	L x W x H [mm]	Ø x H [mm]	No.
PANEL VAL 600 36 W 3000 K WT	>80	-	<5 %	1800	595 x 595 x 35		3
PANEL VAL 600 36 W 4000 K WT	>80	-	<5 %	1800	595 x 595 x 35		3
PANEL VAL 600 36 W 6500 K WT	>80	-	<5 %	1800	595 x 595 x 35		3
PANEL VAL 600 36 W 3000 K WT DALI	>80	-	<5 %	1800	595 x 595 x 35		3
PANEL VAL 600 36 W 4000 K WT DALI	>80	-	<5 %	1800	595 x 595 x 35		3
PANEL VAL 600 36 W 6500 K WT DALI	>80	-	<5 %	1800	595 x 595 x 35		3
PANEL VAL 600 UGR < 19 36 W 3000 K WT	>80	<19	<5 %	1800	595 x 595 x 35		3
PANEL VAL 600 UGR < 19 36 W 4000 K WT	>80	<19	<5 %	1800	595 x 595 x 35		3
PANEL VAL 625 UGR < 19 36 W 4000 K WT	>80	<19	<5 %	1900	620 x 620 x 35		3
PANEL VAL 600 UGR < 19 36 W 3000 K WT DALI	>80	<19	<5 %	1800	595 x 595 x 35		3
PANEL VAL 600 UGR < 19 36 W 4000 K WT DALI	>80	<19	<5 %	1800	595 x 595 x 35		3
PANEL VAL DALI 625 UGR < 19 36 W 4000 K WT DALI	>80	<19	<5 %	1900	620 x 620 x 35		3

## PANEL VALUE

## Recessed panel luminaires

Product name	Segmentation	GTIN (EAN)	RE-PLACEMENT FOR	W	lm	lm/W	K	L70 <sup>1</sup>	L80 <sup>1</sup>	°
PANEL VAL 600 TPB 36 W 4000 K WT	■	4058075384347	4x18W/4x14W FL	36	3240	90	4000	50000	50000	120
PANEL VALUE 1200x600 TPB 65 W 4000 K WT	■	4058075384361	4x36W/4x28W FL	65	5850	90	4000	50000	50000	120



Product name	CRI	g	L x W x H [mm]	Ø x H [mm]	No.
PANEL VAL 600 TPB 36 W 4000 K WT	>80	1800	595 x 595 x 34		1
PANEL VALUE 1200x600 TPB 65 W 4000 K WT	>80	3600	1195 x 595 x 34		2

<sup>1</sup> t [h]: L70/B50 @ 25 °C (Ta) / t [h]: L80/B10 @ 25 °C (Ta)

# COMPATIBILITY OF PANEL ACCESSORIES WITH PANEL FAMILIES<sup>1</sup>

## 1. SURFACE MOUNT KIT



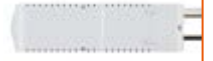
- Pre-assembled ready to install
- Simple fixing with magnets
- Cross brace for greater stability
- Material: aluminum

## 2. SURFACE MOUNT KIT VALUE



- Kit for tool-free mounting with corner clips
- Material: aluminum

## 3. EMERGENCY CONVERSION BOX



- Conversion of a selection of panels to safety luminaires
- Reduces warehousing complexity
- Plug-and-play system for easy installation

## 4. SUSPENSION KIT



- Suspension length: 1,500 mm
- Material: steel

## 5. PANEL SECURITY KIT 4 x



- Includes wires and brackets
- Material: steel

## 6. RECESSED MOUNT CLIPS



- Ceiling thickness: 10 to 20 mm
- Material: steel

## 7. RECESSED MOUNT FRAME



- Pre-assembled ready to install
- Seamless recessed mounting
- Ceiling thickness: 8 to 30 mm
- Material: aluminum

## 8. PANEL 1200 SECURITY BRACKET



- For ceiling mounting

## 9. CONNECTOR BOX 5-POLE



- Tool-free electrical connection due to push button connector
- Through-wiring made possible
- Suitable for cable cross section up to 5 x 2.5 mm<sup>2</sup>





## COMPATIBILITIES AT A GLANCE

	Accessories	GTIN (EAN)	PANEL INDIVILED	PANEL IP54	PANEL PERFORMANCE	PANEL VALUE
1	Panel 600 Surface Mount Kit H75	4058075472914		✓	✓	✓
	Panel 625 Surface Mount Kit H75	4058075472938		✓	✓	✓
	Panel 1200x300 Surface Mount Kit	4058075108820			✓	
2	Panel 600 Surface Mount Kit H70 Value	4058075402843		✓	✓	✓
	Panel 625 Surface Mount Kit H70 Value	4058075402867		✓	✓	✓
	Panel 1200x300 Surface Mount Kit Value	4058075472952			✓	✓
	Panel 1200x300 Surface Mount Kit Value	4058075389823				✓
3	Emergency Conversion Box AT 3H	4058075237025	✓ <sup>2</sup>		✓ <sup>5</sup>	✓ <sup>5</sup>
4	Panel 1200 Suspension Kit	4058075108844			✓	
	Panel Suspension Kit	4058075402928	✓ <sup>2</sup>	✓	✓	✓
5	Panel Security Kit 4x	4058075472990			✓	✓
6	Panel Recessed Mount Clips Value 4x	4058075409859	✓	✓	✓	✓
7	Panel 600 Recessed Mount Frame	4058075402881		✓	✓	✓
	Panel 625 Recessed Mount Frame	4058075402904		✓	✓	✓
	Panel 1200x300 Recessed Mount Frame	4058075472976			✓	
8	Panel 1200 Security Bracket	4058075108882			✓	
9	Connector Box 5-Pole L/N	4058075473010	✓ <sup>3</sup>	✓ <sup>3</sup>		✓ <sup>3</sup>
	Connector Box 5-Pole L/N/PE/D+/D-	4058075473034	✓ <sup>4</sup>	✓ <sup>4</sup>		✓ <sup>4</sup>

<sup>1</sup> The accessories are compatible with the Panels in the respectively matching size. For details refer to the User Instructions. | <sup>2</sup> Not in combination with Panel IndivILED Emergency

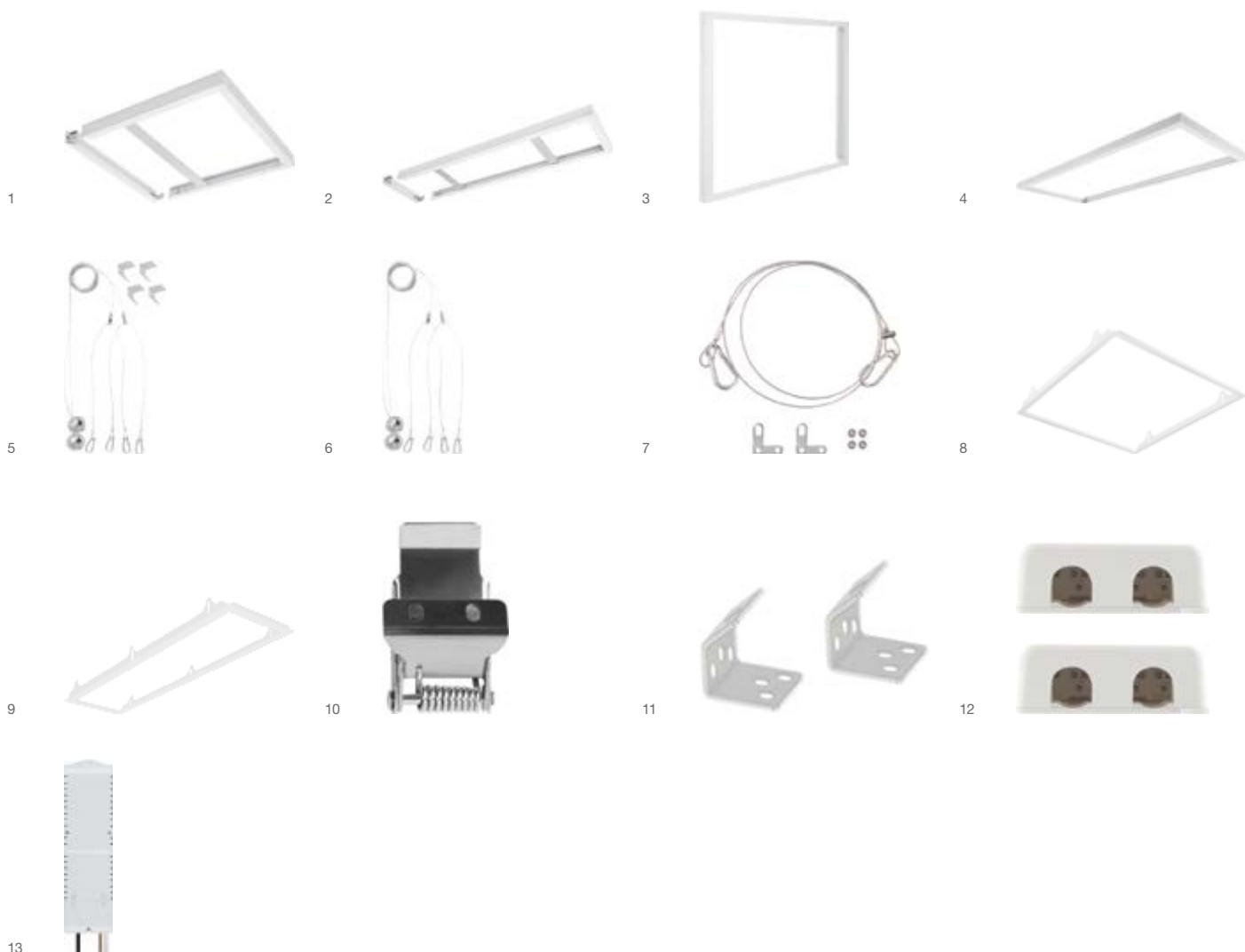
<sup>3</sup> Only with standard versions, not for DALI or Emergency versions | <sup>4</sup> Only with DALI or Emergency versions | <sup>5</sup> Not in combination with Surface Mount Kits, Surface Mount Clips or Suspension Kit

Technical product details  
for panel accessories  
found on next page



## PANEL ACCESSORIES


Mounting accessories for panel luminaires, combination according to the accessories matrix



- Suspension Kit: suspension length 1.5 m adjustable for various applications by screw connection
- Surface Mount Kit: sturdy, cross-stiffened aluminum frame with magnetic corners

- Surface Mount Kit Value: Aluminum frame with polycarbonate strip. With rectangular frame, panel insertion is possible from short or long frame side.
- Recessed Mount Clips Value 1x4: ceiling thickness 10 - 20 mm, plasterboard, wood and metal ceilings

- Panel 1200 Security Bracket: accessories for attaching a safety cable to the luminaire

Product name	GTIN (EAN)	L x W x H [mm] Ø x H [mm]	MATERIAL	COLOR		 No.
PANEL 600 SURFACE MOUNT KIT H75	4058075472914	601 x 601 x 75	Aluminum	White	1	1
PANEL 625 SURFACE MOUNT KIT H75	4058075472938	626 x 626 x 75	Aluminum	White	1	1
PANEL 1200 Surface Mount Kit	4058075108820	1201 x 301 x 56	Aluminum	White	1	2
PANEL 1200x300 SURFACE MOUNT KIT VAL	4058075472952	1212 x 312 x 52	Aluminum	White	1	4
PANEL 600 SURFACE MOUNT KIT H70 VAL	4058075402843	613 x 613 x 70	Aluminum	White	1	3
PANEL 625 SURFACE MOUNT KIT H70 VAL	4058075402867	638 x 638 x 70	Aluminum	White	1	3
PANEL 1200x600 SURFACE MOUNT KIT VAL	4058075389823	1213 x 613 x 72	Aluminum	White	1	4
PANEL 1200 Suspension Kit	4058075108844	1500 x - x -	Steel	Steel	1	5
PANEL Suspension Kit	4058075402928	30 x -	Steel	Steel	1	6
PANEL SECURITY KIT 4x	4058075472990	1000 x 17 x 4	Steel	Steel	4	7
PANEL 600 RECESSED MOUNT FRAME	4058075402881	625 x 625 x 76	Aluminum	White	1	8
PANEL 625 RECESSED MOUNT FRAME	4058075402904	650 x 650 x 76	Aluminum	White	1	8
PANEL 1200x300 RECESSED MOUNT FRAME	4058075472976	1224 x 324 x 76	Aluminum	White	1	9
PANEL RECESSED MOUNT CLIPS VAL 4x	4058075409859	25 x 45 x 33	Steel	Steel	4	10
PANEL 1200 Security Bracket	4058075108882	25 x 20 x 20	Steel	Steel	2	11
CONNECTOR BOX 5POLE L/N 4x	4058075473010	115 x 56 x 19	Polycarbonate (PC)	White	4	12
CONNECTOR BOX 5POLE L/N/PE/D+/D- 4x	4058075473034	115 x 56 x 19	Polycarbonate (PC)	White	4	12
EM CONVERSION BOX	4058075237025	292 x 81 x 41	-	-	1	13

# PENDANT AND SURFACE-MOUNTED LUMINAIRES

## GOOD LIGHT FOR GOOD RESULTS

### PANEL DIRECT/INDIRECT

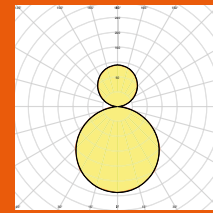
Page 86

PANEL DIRECT/INDIRECT  
 PANEL DIRECT/INDIRECT DALI  
 PANEL DIRECT/INDIRECT ZIGBEE



#### ADVANCED PENDANT LUMINAIRE WITH DIRECT AND INDIRECT EMISSION OF LIGHT

- Functional SCALE design luminaire for office applications (driver integrated in the ceiling rose)
- Special directional light design and PMMA diffuser for homogeneous, low-glare lighting (UGR < 19)
- Low-flicker light thanks to special electronic control gear



Light distribution curve (30%/70%)

### PANEL 1200 DIRECT/INDIRECT

Exclusive and modern SCALE design pendant luminaire with very good light comfort through direct (70%) and indirect (30%) emission of light.

### LINEAR INDIVILED DIRECT/INDIRECT

Page 88

LINEAR INDIVILED DIRECT/INDIRECT  
 LINEAR INDIVILED DIRECT/INDIRECT EMERGENCY  
 LINEAR INDIVILED ACCESSORIES FOR PENDANT MOUNTING AND STRIP LIGHTING



#### LINEAR INDIVILED PENDANT LUMINAIRE WITH DIRECT AND INDIRECT EMISSION OF LIGHT

- Luminaire in timeless SCALE design, usable as a single or lighting strip solution
- Versions available with DALI ECG or emergency lighting
- Increased light comfort with direct and indirect beam characteristic

### LINEAR INDIVILED DIRECT

Page 92

LINEAR INDIVILED DIRECT  
 LINEAR INDIVILED DIRECT EMERGENCY  
 LINEAR INDIVILED ACCESSORIES FOR PENDANT MOUNTING AND STRIP LIGHTING



#### LINEAR INDIVILED SURFACE-MOUNTED AND PENDANT LUMINAIRE

- Luminaire in timeless SCALE design, usable as a single or lighting strip solution
- Versions available with DALI ECG (1500 25 W), IoT-ready DALI-2.0 (all other) or Zigbee 3.0 or emergency lighting
- Direct-light, surface-mounted luminaire also usable as pendant (order accessories separately)



## PANEL DIRECT/INDIRECT

Suspended edge-lit luminaires for direct and indirect light emission, low glare UGR<19



### PRODUCT FEATURES

- Very slim aluminum housing
- Rectangular (1200 mm x 300 mm) stand-alone luminaires with direct (70 %) and indirect (30 %) light emission
- Steel cable suspension, length: 1.5 m
- Lifetime (L70/B50): up to 50,000 h (at 25 °C)
- IoT-ready versions with DALI-2.0 driver or Zigbee 3.0 technology

### PRODUCT BENEFITS

- Functional SCALE design luminaire for office applications (driver integrated in the ceiling rose)
- Special directional light design and PMMA diffuser for homogeneous, low-glare lighting (UGR <19)
- Low flicker light thanks to special electronic control gear
- Comfortable light and high color consistency SDCM ≤3
- 5 years guarantee

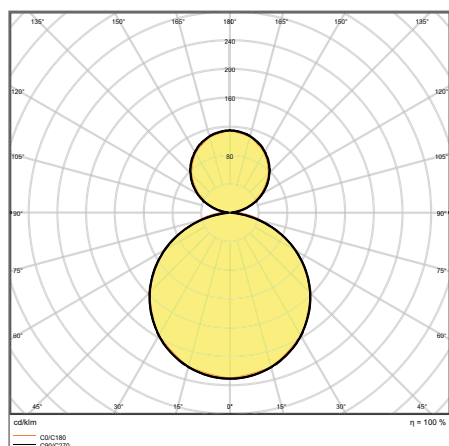
### AREAS OF APPLICATION

- Efficient replacement for traditional T8 and T5 luminaires
- Offices
- Meeting rooms
- Conference rooms
- Reception areas and foyers

### EQUIPMENT / ACCESSORIES

- Suspension kit included

## FURTHER PRODUCT DETAILS



PANEL D/I 1200 UGR 19 36 W 4000 K

<sup>1</sup> Refer to [www.ledvance.com/guarantee](http://www.ledvance.com/guarantee) for precise conditions

The pictures shown in the catalog are for illustration purposes only. For information on size and color, please refer to the product table.

Product name	Segmentation	GTIN (EAN)	RE-PLACE-MENT-FOR	W	lm	lm/W	K	L70 <sup>1</sup>	L80 <sup>1</sup>	°
PANEL D/I 1200 UGR 19 36 W 3000 K	■	4058075144606	2x58W FL	36	3800	100	3000	80000	60000	110
PANEL D/I 1200 UGR 19 36 W 4000 K	■	4058075144620	2x58W FL	36	4000	110	4000	80000	60000	110
PANEL D/I 1200 UGR 19 36 W 3000 K DALI	■	4058075504028	2x58W FL	36	3800	105	3000	80000	60000	110
PANEL D/I 1200 UGR 19 36 W 4000 K DALI	■	4058075504042	2x58W FL	36	4000	110	4000	80000	60000	110
PANEL D-I 1200 36 W-4000 K UGR19 ZBVR	■	4058075521889	2x58W FL	36	4000	110	4000	80000	60000	110



Product name	CRI	UGR	FLICKER VALUE	9	L x W x H [mm]	Ø x H [mm]
PANEL D/I 1200 UGR 19 36 W 3000 K	≥80	-	<10 %	4325	1200 x 300 x 16	
PANEL D/I 1200 UGR 19 36 W 4000 K	≥80	-	<10 %	4325	1200 x 300 x 16	
PANEL D/I 1200 UGR 19 36 W 3000 K DALI	≥80	<19	<5 %	3500	1200 x 300 x 16	
PANEL D/I 1200 UGR 19 36 W 4000 K DALI	≥80	<19	<5 %	3500	1200 x 300 x 16	
PANEL D-I 1200 36 W-4000 K UGR19 ZBVR	≥80	<19	<10 %	3500	1200 x 300 x 16	

<sup>1</sup> t [h]: L70/B50 @ 25 °C (Ta) / t [h]: L80/B10 @ 25 °C (Ta)

# LINEAR INDIVILED® DIRECT/INDIRECT

Pendant luminaires with direct and indirect light emission



## PRODUCT FEATURES

- Aluminum housing, plastic end caps, white
- Each LED with individual lens and reflector for  $UGR \leq 16$  and homogeneous light distribution
- Usable as a single or strip lighting luminaire
- The suspension kit has to be ordered separately as an accessory

## PRODUCT BENEFITS

- Luminaire in timeless SCALE design, usable as a single or lighting strip solution
- Versions available with DALI ECG or emergency lighting
- Increased light comfort thanks to direct and indirect light emission
- Low flicker light thanks to special electronic control gear
- All versions with 5-year guarantee, except emergency version: 3 years (built-in 3h battery)

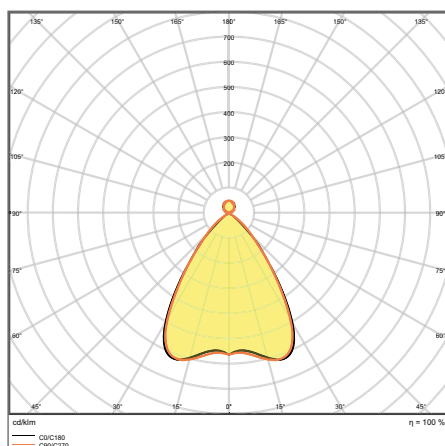
## AREAS OF APPLICATION

- Direct replacement for luminaires with fluorescent lamps
- Offices, schools
- General indoor illumination
- Corridors, entrance areas
- Seamless linear lighting

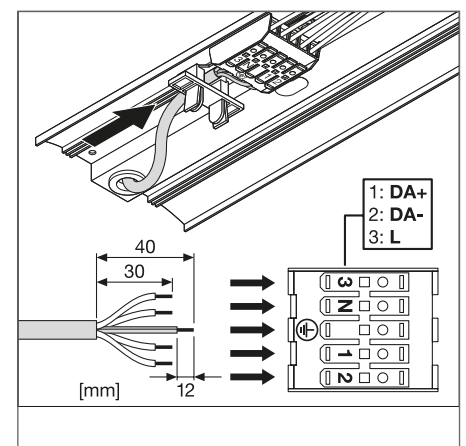
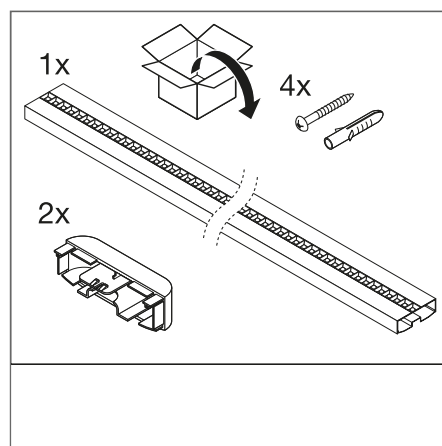
## EQUIPMENT / ACCESSORIES

- Suspension kit available\*
- Line connection adapter available\*

## FURTHER PRODUCT DETAILS



LN INDV D/I 1500 56 W 4000 K EM



\* Please note: available = available as an optional accessory.

<sup>1</sup> The ENEC certification applies exclusively to the switchable versions of the luminaire family, all other versions: DALI, sensor, emergency and versions for through-wiring are excepted.

<sup>2</sup> Refer to [www.ledvance.com/guarantee](http://www.ledvance.com/guarantee) for precise conditions

The pictures shown in the catalog are for illustration purposes only. For information on size and color, please refer to the product table.



### LINEAR INDIVILED® DIRECT/INDIRECT

Pendant luminaire for single luminaire or light line application

Product name	Segmentation	GTIN (EAN)	RE-PLACEMENT FOR	W	lm	lm/W	K	L70 <sup>1</sup>	L80 <sup>1</sup>	△	⤵
LN INDV D/1 1200 42 W 3000 K	■	4058075109728	2x28W FL	42	4650	110	3000	60000	50000	70	-
LN INDV D/1 1200 42 W 4000 K	■	4058075109742	2x28W FL	42	5050	120	4000	60000	50000	70	-
LN INDV D/1 1500 56 W 3000 K	■	4058075109766	2x49W FL	56	6150	110	3000	60000	50000	70	-
LN INDV D/1 1500 56 W 4000 K	■	4058075110441	2x49W FL	56	6550	115	4000	60000	50000	70	-
LN INDV D/1 1200 42 W 3000 K DALI	■	4058075109001	2x28W FL	42	4650	110	3000	60000	50000	70	DALI
LN INDV D/1 1200 42 W 4000 K DALI	■	4058075109025	2x28W FL	42	5050	120	4000	60000	50000	70	DALI
LN INDV D/1 1500 56 W 3000 K DALI	■	4058075109049	2x49W FL	56	6150	110	3000	60000	50000	70	DALI
LN INDV D/1 1500 56 W 4000 K DALI	■	4058075109063	2x49W FL	56	6550	115	4000	60000	50000	70	DALI



Product name	CRI	UGR	FLICKER VALUE	IK	Ⓜ	L x W x H [mm] ∅ x H [mm]
LN INDV D/1 1200 42 W 3000 K	≥80	<16	<10 %	IK06	2600	1199 x 120 x 40
LN INDV D/1 1200 42 W 4000 K	≥80	<16	<10 %	IK06	2600	1199 x 120 x 40
LN INDV D/1 1500 56 W 3000 K	≥80	<16	<10 %	IK06	3200	1488 x 120 x 40
LN INDV D/1 1500 56 W 4000 K	≥80	<16	<10 %	IK06	3200	1488 x 120 x 40
LN INDV D/1 1200 42 W 3000 K DALI	≥80	<16	<10 %	IK06	2800	1199 x 120 x 40
LN INDV D/1 1200 42 W 4000 K DALI	≥80	<16	<10 %	IK06	2800	1199 x 120 x 40
LN INDV D/1 1500 56 W 3000 K DALI	≥80	<16	<10 %	IK06	3600	1488 x 120 x 40
LN INDV D/1 1500 56 W 4000 K DALI	≥80	<16	<10 %	IK06	3600	1488 x 120 x 40

### LINEAR INDIVILED® DIRECT/INDIRECT EMERGENCY

Pendant luminaire for single luminaire or light line application with emergency lighting

Product name	Segmentation	GTIN (EAN)	RE-PLACEMENT FOR	W	lm	lm/W	K	L70 <sup>1</sup>	L80 <sup>1</sup>	△
LN INDV D/1 1200 42 W 3000 K EM	■	4058075109841	2x28W FL	42	4650	110	3000	60000	50000	70
LN INDV D/1 1200 42 W 4000 K EM	■	4058075109865	2x28W FL	42	5050	120	4000	60000	50000	70
LN INDV D/1 1500 56 W 3000 K EM	■	4058075109889	2x49W FL	56	6150	110	3000	60000	50000	70
LN INDV D/1 1500 56 W 4000 K EM	■	4058075109902	2x49W FL	56	6550	115	4000	60000	50000	70



Product name	CRI	UGR	FLICKER VALUE	IK	Ⓜ	L x W x H [mm] ∅ x H [mm]
LN INDV D/1 1200 42 W 3000 K EM	≥80	<16	<10 %	IK06	3000	1199 x 120 x 40
LN INDV D/1 1200 42 W 4000 K EM	≥80	<16	<10 %	IK06	3000	1199 x 120 x 40
LN INDV D/1 1500 56 W 3000 K EM	≥80	<16	<10 %	IK06	3550	1488 x 120 x 40
LN INDV D/1 1500 56 W 4000 K EM	≥80	<16	<10 %	IK06	3550	1488 x 120 x 40

## EMERGENCY LIGHTING PROPERTIES

Product name	Battery life in emergency operation mode	Type of emergency operation test	Type of emergency light operation	Luminous flux in emergency operation mode	Type of Battery
LN INDV D/1 1200 42 W 3000 K EM	3 h	Automatic	Maintained/Non-maintained	410 lm	LiFeP04
LN INDV D/1 1200 42 W 4000 K EM	3 h	Automatic	Maintained/Non-maintained	410 lm	LiFeP04
LN INDV D/1 1500 56 W 3000 K EM	3 h	Automatic	Maintained/Non-maintained	410 lm	LiFeP04
LN INDV D/1 1500 56 W 4000 K EM	3 h	Automatic	Maintained/Non-maintained	410 lm	LiFeP04

<sup>1</sup> t [h]: L70/B50 @ 25 °C (Ta) / t [h]: L80/B10 @ 25 °C (Ta)



# LINEAR INDIVILED® DIRECT/INDIRECT ACCESSORIES

Mounting accessories for LINEAR INDIVILED® luminaires



- Suspension Kit:  
1 x transparent 1.5 m cable 3 x 0.75 mm +  
2 x Y wire suspension 1.5 m
- DALI Suspension Kit:  
1 x transparent 1.5 m cable 5 x 0.75 mm +  
2 x Y wire suspension 1.5 m
- Suspension Wire:  
1 x Y wire suspension 1.5 m
- Through Wiring Kit:  
3 x 1.5 mm with fast connector
- DALI Through Wiring Kit:  
2 x 1.5 mm with fast connector

Product name	GTIN (EAN)	L x W x H [mm] Ø x H [mm]	MATERIAL	COLOR	Quantity	No.
LN INDV Suspension Kit	4058075133280	100x25	Steel	White	1	1
LN INDV DALI Suspension Kit	4058075133303	100x25	Steel	White	1	2
LN INDV Suspension Wire	4058075133327	1560x1x1	Steel	Steel	1	3
LN INDV Lightline Connector	4058075133341	82x40x12	Steel	Steel	1	4
LN INDV 1200 Through Wiring Kit	4058075158030	1250x20x7	Polycarbonate (PC)	Yellow	1	5
LN INDV 1500 Through Wiring Kit	4058075133365	1560x20x7	Polycarbonate (PC)	Yellow	1	5
LN INDV DALI 1200 Through Wiring Kit	4058075158016	1250x13x7	Polycarbonate (PC)	Yellow	1	6
LN INDV DALI 1500 Through Wiring Kit	4058075157996	1560x13x7	Polycarbonate (PC)	Yellow	1	6

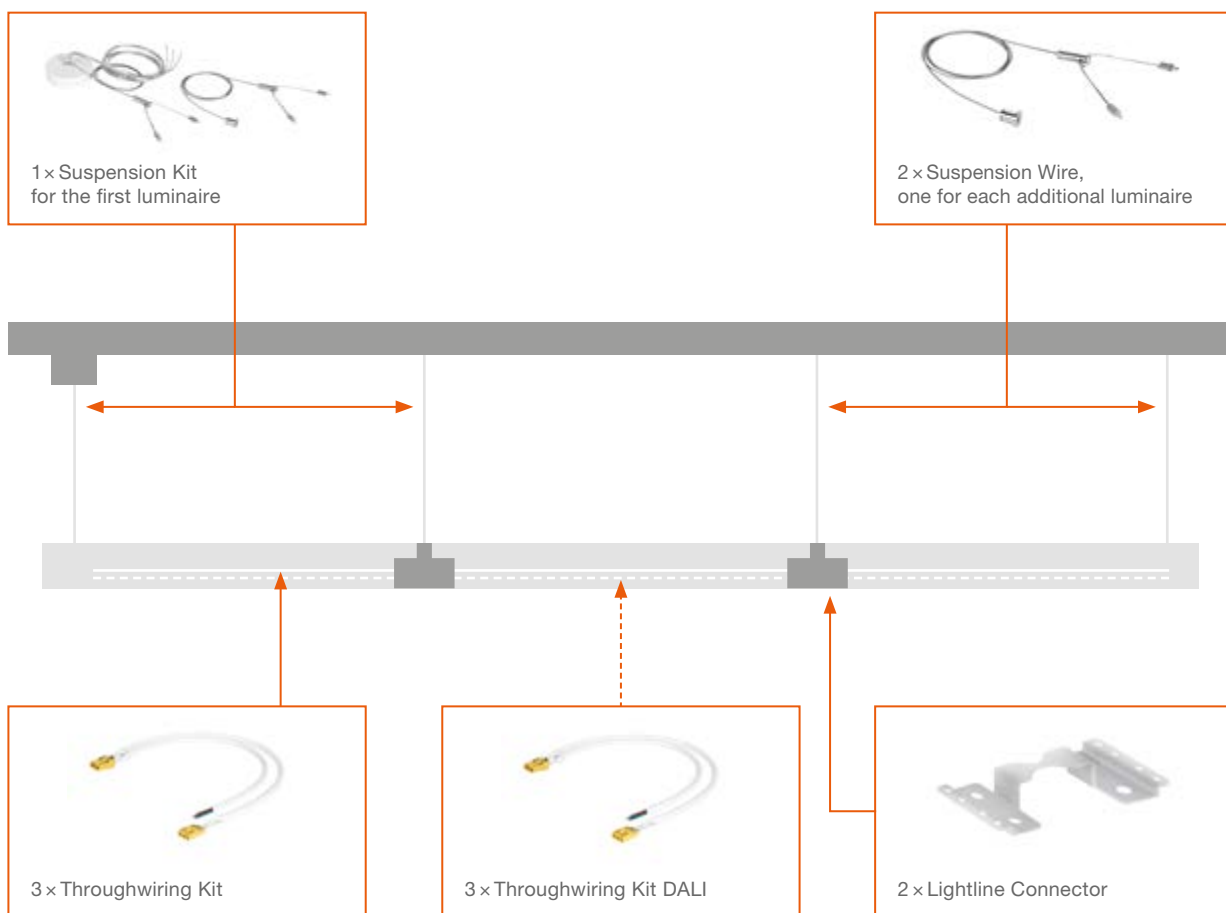
<sup>1</sup> Refer to [www.ledvance.com/guarantee](http://www.ledvance.com/guarantee) for precise conditions

# OUR CHECKLIST FOR YOUR LINEAR INDIVILED DALI SYSTEM

**Typical installation:** We have put together for you all the necessary components for suspended installation of three luminaires as strip lighting. For more information see the operating instructions for Linear IndiviLED.

**UP TO 20 LUMINAIRES!**

## INSTALLATION OF 3 × LINEAR INDIVILED DALI



The through-wiring must be fitted by an installer.



### ORDER LIST

- 3 × Linear IndiviLED Luminaire
- 3 × Throughwiring Kit
- 3 × Throughwiring Kit DALI
- 2 × Lightline Connector
- 1 × Suspension Kit
- 2 × Suspension Wire



## LINEAR INDIVILED® DIRECT

Surface luminaires with direct light emission for single luminaire or light line application



### PRODUCT FEATURES

- Aluminum housing, plastic end caps, white
- Each LED with individual lens and reflector for  $UGR \leq 16$  and homogeneous light distribution
- Usable as a single or strip lighting luminaire
- Mountable directly on the ceiling as a surface-mounted luminaire without additional accessories
- The suspension kit has to be ordered separately as an accessory

### PRODUCT BENEFITS

- Luminaire in timeless SCALE design, usable as a single or lighting strip solution
- Versions available with DALI ECG (1500 25W), IoT-ready DALI-2.0 (all other), Zigbee 3.0 or emergency lighting
- Also usable as pendant (order accessories separately)
- Low flicker light thanks to special electronic control gear
- All versions with 5-year guarantee, except emergency version: 3 years (built-in 3h battery)

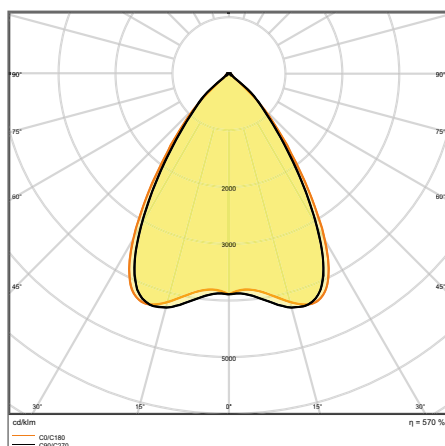
### AREAS OF APPLICATION

- Direct replacement for luminaires with fluorescent lamps
- Offices, schools
- General indoor illumination
- Corridors, entrance areas
- Seamless linear lighting

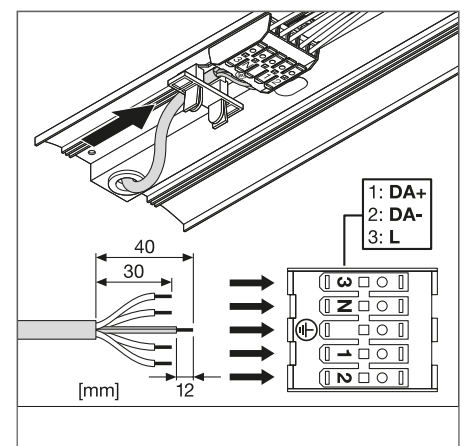
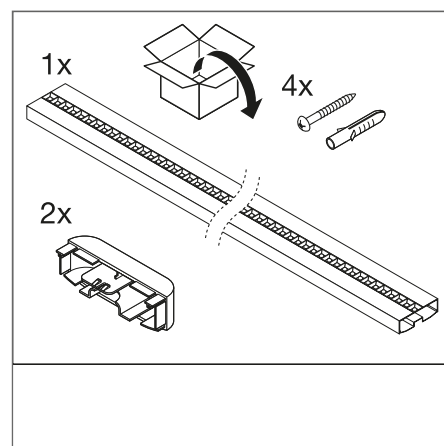
### EQUIPMENT / ACCESSORIES

- Suspension kit available\*
- Line connection adapter available\*

## FURTHER PRODUCT DETAILS



LN INDV D 1500 48 W 4000 K DALI



\* Please note: available = available as an optional accessory.

<sup>1</sup> The ENEC certification applies exclusively to the switchable versions of the luminaire family, all other versions: DALI, sensor, emergency and versions for through-wiring are excepted.

<sup>2</sup> Refer to [www.ledvance.com/guarantee](http://www.ledvance.com/guarantee) for precise conditions

The pictures shown in the catalog are for illustration purposes only. For information on size and color, please refer to the product table.

## LINEAR INDIVILED® DIRECT

Surface mounted luminaire for single luminaire or light line application

Product name	Segmentation	GTIN (EAN)	RE-PLACEMENT FOR	W	lm	lm/W	K	L70	L80		
LN INDV D 1200 34 W 3000 K	■	4058075109605	2x28W FL	34	3800	110	3000	60000	50000	70	-
LN INDV D 1200 34 W 4000 K	■	4058075109629	2x28W FL	34	4200	120	4000	60000	50000	70	-
LN INDV D 1200 34 W-940	■	4058075522435	2x28W FL	34	3550	105	4000	60000	50000	70	-
LN INDV D 1500 25 W 3000 K	■	4058075109643	1x49W FL	25	3100	125	3000	60000	50000	70	-
LN INDV D 1500 25 W 4000 K	■	4058075109667	1x49W FL	25	3300	125	4000	60000	50000	70	-
LN INDV D 1500 25 W-940	■	4058075522459	1x49W FL	25	2800	110	4000	60000	50000	70	-
LN INDV D 1500 48 W 3000 K	■	4058075109681	2x49W FL	48	5300	110	3000	60000	50000	70	-
LN INDV D 1500 48 W 4000 K	■	4058075109704	2x49W FL	48	5700	120	4000	60000	50000	70	-
LN INDV D 1500 48 W-940	■	4058075522473	2x49W FL	48	4800	100	4000	60000	50000	70	-
LN INDV D 1200 34 W 3000 K DALI	■	4058075503946	2x28W FL	34	3800	110	3000	60000	50000	70	DALI
LN INDV D 1200 34 W 4000 K DALI	■	4058075503960	2x28W FL	34	4200	125	4000	60000	50000	70	DALI
LN INDV D 1200 34 W-4000 K ZBVR	■	4058075521902	2x28W FL	34	4200	125	4000	60000	50000	70	Zigbee
LN INDV D DALI 1500 25 W 3000 K	■	4058075108929	1x49W FL	25	3100	125	3000	60000	50000	70	DALI
LN INDV D DALI 1500 25 W 4000 K	■	4058075108943	1x49W FL	25	3300	125	4000	60000	50000	70	DALI
LN INDV D 1500 48 W 3000 K DALI	■	4058075503984	2x49W FL	48	5300	110	3000	60000	50000	70	DALI
LN INDV D 1500 48 W 4000 K DALI	■	4058075504004	2x49W FL	48	5700	120	4000	60000	50000	70	DALI
LN INDV D 1500 48 W-4000 K ZBVR	■	4058075521926	2x49W FL	48	5700	120	4000	60000	50000	70	Zigbee



Product name	CRI	UGR	FLICKER VALUE	IK		L x W x H [mm] Ø x H [mm]
LN INDV D 1200 34 W 3000 K	≥80	<16	<10 %	IK06	2400	1199 x 120 x 40
LN INDV D 1200 34 W 4000 K	≥80	<16	<10 %	IK06	2400	1199 x 120 x 40
LN INDV D 1200 34 W-940	>90	<16	<10 %	IK06	2400	1199 x 120 x 40
LN INDV D 1500 25 W 3000 K	≥80	<16	<10 %	IK06	2900	1488 x 120 x 40
LN INDV D 1500 25 W 4000 K	≥80	<16	<10 %	IK06	2900	1488 x 120 x 40
LN INDV D 1500 25 W-940	>90	<16	<10 %	IK06	2900	1488 x 120 x 40
LN INDV D 1500 48 W 3000 K	≥80	<16	<10 %	IK06	3100	1488 x 120 x 40
LN INDV D 1500 48 W 4000 K	≥80	<16	<10 %	IK06	3100	1488 x 120 x 40
LN INDV D 1500 48 W-940	>90	<16	<10 %	IK06	3100	1488 x 120 x 40
LN INDV D 1200 34 W 3000 K DALI	>80	<16	<5 %	IK06	2500	1199 x 120 x 40
LN INDV D 1200 34 W 4000 K DALI	>80	<16	<5 %	IK06	2500	1199 x 120 x 40
LN INDV D 1200 34 W-4000 K ZBVR	>80	<16	<10 %	IK06	2500	1199 x 120 x 40
LN INDV D DALI 1500 25 W 3000 K	≥80	<16	<10 %	IK06	3000	1488 x 120 x 40
LN INDV D DALI 1500 25 W 4000 K	≥80	<16	<10 %	IK06	3000	1488 x 120 x 40
LN INDV D 1500 48 W 3000 K DALI	>80	<16	<5 %	IK06	3200	1488 x 120 x 40
LN INDV D 1500 48 W 4000 K DALI	>80	<16	<5 %	IK06	3200	1488 x 120 x 40
LN INDV D 1500 48 W-4000 K ZBVR	>80	<16	<10 %	IK06	3200	1488 x 120 x 40

<sup>1</sup> t [h]: L70/B50 @ 25 °C (Ta) / t [h]: L80/B10 @ 25 °C (Ta)

## LINEAR INDIVILED® DIRECT EMERGENCY

Surface mounted luminaire for single luminaire or light line application with emergency lighting

Product name	Segmentation	GTIN (EAN)	RE-PLACE-MENT FOR	W	lm	lm/W	K	L70 <sup>1</sup>	L80 <sup>1</sup>	°
LN INDV D 1200 34 W 3000 K EM	■	4058075109520	2x28W FL	34	3800	110	3000	60000	50000	70
LN INDV D 1200 34 W 4000 K EM	■	4058075109544	2x28W FL	34	4200	120	4000	60000	50000	70
LN INDV D 1500 25 W 3000 K EM	■	4058075109568	1x49W FL	25	3100	125	3000	60000	50000	70
LN INDV D 1500 25 W 4000 K EM	■	4058075109582	1x49W FL	25	3300	125	4000	60000	50000	70
LN INDV D 1500 48 W 3000 K EM	■	4058075109803	2x49W FL	48	5300	110	3000	60000	50000	70
LN INDV D 1500 48 W 4000 K EM	■	4058075109827	2x49W FL	48	5700	120	4000	60000	50000	70



Product name	CRI	UGR	FLICKER VALUE	IK	g	L x W x H [mm] Ø x H [mm]
LN INDV D 1200 34 W 3000 K EM	≥80	<16	<10 %	IK06	2700	1199 x 120 x 40
LN INDV D 1200 34 W 4000 K EM	≥80	<16	<10 %	IK06	2700	1199 x 120 x 40
LN INDV D 1500 25 W 3000 K EM	≥80	<16	<10 %	IK06	3100	1488 x 120 x 40
LN INDV D 1500 25 W 4000 K EM	≥80	<16	<10 %	IK06	3100	1488 x 120 x 40
LN INDV D 1500 48 W 3000 K EM	≥80	<16	<10 %	IK06	3170	1488 x 120 x 40
LN INDV D 1500 48 W 4000 K EM	≥80	<16	<10 %	IK06	3170	1488 x 120 x 40

## EMERGENCY LIGHTING PROPERTIES

Product name	Battery life in emergency operation mode	Type of emergency operation test	Type of emergency light operation	Luminous flux in emergency operation mode	Type of Battery
LN INDV D 1200 34 W 3000 K EM	3 h	Automatic	Maintained/Non-maintained	410 lm	LiFeP04
LN INDV D 1200 34 W 4000 K EM	3 h	Automatic	Maintained/Non-maintained	410 lm	LiFeP04
LN INDV D 1500 25 W 3000 K EM	3 h	Automatic	Maintained/Non-maintained	410 lm	LiFeP04
LN INDV D 1500 25 W 4000 K EM	3 h	Automatic	Maintained/Non-maintained	410 lm	LiFeP04
LN INDV D 1500 48 W 3000 K EM	3 h	Automatic	Maintained/Non-maintained	410 lm	LiFeP04
LN INDV D 1500 48 W 4000 K EM	3 h	Automatic	Maintained/Non-maintained	410 lm	LiFeP04

<sup>1</sup> t [h]: L70/B50 @ 25 °C (Ta) / t [h]: L80/B10 @ 25 °C (Ta)



## LINEAR INDIVILED® DIRECT ACCESSORIES

Mounting accessories for LINEAR INDIVILED® luminaires



- Suspension Kit:  
1 x transparent 1.5 m cable 3 x 0.75 mm +  
2 x Y wire suspension 1.5 m
- DALI Suspension Kit:  
1 x transparent 1.5 m cable 5 x 0.75 mm +  
2 x Y wire suspension 1.5 m
- Suspension Wire:  
1 x Y wire suspension 1.5 m
- Through Wiring Kit:  
3 x 1.5 mm with fast connector
- DALI Through Wiring Kit:  
2 x 1.5 mm with fast connector

Product name	GTIN (EAN)	L x W x H [mm] Ø x H [mm]	MATERIAL	COLOR		 No.
LN INDV Suspension Kit	4058075133280	100x25	Steel	White	1	1
LN INDV DALI Suspension Kit	4058075133303	100x25	Steel	White	1	2
LN INDV Suspension Wire	4058075133327	1560x1x1	Steel	Steel	1	3
LN INDV Lightline Connector	4058075133341	82x40x12	Steel	Steel	1	4
LN INDV 1200 Through Wiring Kit	4058075158030	1250x20x7	Polycarbonate (PC)	Yellow	1	5
LN INDV 1500 Through Wiring Kit	4058075133365	1560x20x7	Polycarbonate (PC)	Yellow	1	5
LN INDV DALI 1200 Through Wiring Kit	4058075158016	1250x13x7	Polycarbonate (PC)	Yellow	1	6
LN INDV DALI 1500 Through Wiring Kit	4058075157996	1560x13x7	Polycarbonate (PC)	Yellow	1	6

<sup>1</sup> Refer to [www.ledvance.com/guarantee](http://www.ledvance.com/guarantee) for precise conditions

# LINEAR LUMINAIRES

## HIGH LEVELS OF COMFORT AND FLEXIBILITY

### LINEAR SURFACE IP44



Page 98

LINEAR SURFACE IP44  
LINEAR SURFACE IP44 EMERGENCY

PERFOR-  
MANCE  
CLASS



#### IDEAL FOR SPECIAL APPLICATIONS WITH A HIGH DEGREE OF PROTECTION

- Robust IP44 and IK08 luminaire with integrated driver for surface and pendant mounting
- Replacement for traditional 2/36 W and 2/58 W versions
- Also available with 3-hour single battery on request (please note longer delivery time)

### LINEAR ULTRA OUTPUT



Page 102

LINEAR ULTRA OUTPUT  
LINEAR ULTRA OUTPUT EMERGENCY

PERFOR-  
MANCE  
CLASS



#### EXCELLENT LIGHT OUTPUT

- Replacement of conventional T8 luminaires: equivalent to 1/36 W, 2/36 W, 1/58 W, 2/58 W and 2 x 80 W depending on the version
- Robust housing with IK08
- Optional reflector accessories and numerous wiring options for flexible applications

### LINEAR COMPACT



Page 106

LINEAR COMPACT BATTEN  
LINEAR COMPACT HIGH OUTPUT  
LINEAR COMPACT SWITCH

VALUE  
CLASS

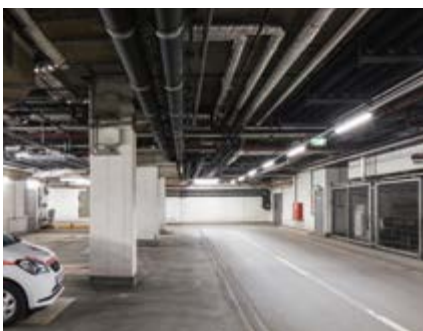


#### COMPACT AND VERSATILE

- Flexible strip lighting versions possible, plug-in (High Output and Switch) or with wiring (Batten)
- Many options for fast and flexible mounting through extensive accessories
- High luminous flux of up to 2,500 lm

## WHICH LUMINAIRE IS SUITABLE FOR WHICH APPLICATION?

### LINEAR SURFACE IP44



General lighting and special applications requiring a high degree of protection

### LINEAR ULTRA OUTPUT



Industry, general lighting

### LINEAR COMPACT



Cove lighting, shop and hospitality





## LINEAR SURFACE IP44

Surface mounted luminaire with IP44



### PRODUCT FEATURES

- Housing made of white (similar to RAL 9010) painted sheet steel with UV-stable opal PC diffuser
- Feed from side or rear, through-wiring 5 x 2.5 sqmm possible
- End cap made of polycarbonate, white, mounted with 2 screws for more secure installation
- Lifetime (L70/ B50): up to 60,000 h
- Luminaire efficacy: up to 110 lm/W

### PRODUCT BENEFITS

- Robust IP44 and IK08 luminaire with integrated driver for surface and suspended mounting
- Replacement for traditional 2/36 W and 2/58W versions
- Also available with 3-hour single battery on request (please note longer delivery time)
- All versions with 5-year guarantee, except emergency version: 3 years (built-in 3h battery)

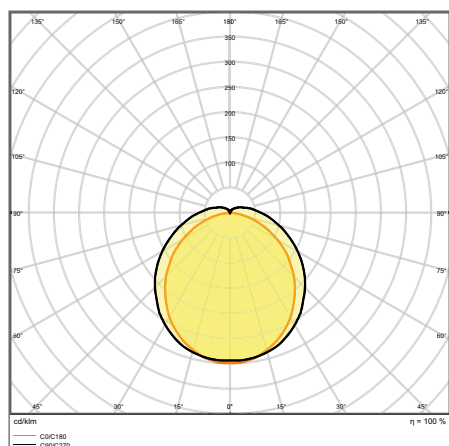
### AREAS OF APPLICATION

- Efficient replacement for traditional T8 and T5 luminaires
- Public buildings
- General illumination
- Libraries, schools

### EQUIPMENT / ACCESSORIES

- Accessories for suspension available\*

## FURTHER PRODUCT DETAILS



LN SF IP44 EM 1500 43 W 3000 K WT

\* Please note: available = available as an optional accessory.

The pictures shown in the catalog are for illustration purposes only. For information on size and color, please refer to the product table.

## LINEAR SURFACE IP44

Robust IP44 luminaires with direct light emission and integrated driver for surface or suspended applications

Product name	Segmentation	GTIN (EAN)	RE-PLACE-MENT FOR	W	lm	lm/W	K	L70 <sup>1</sup>	L80 <sup>1</sup>	△
LN SF IP44 1200 36 W 3000 K WT	■	4058075352872	2x28W FL	36	4000	110	3000	60000	40000	120
LN SF IP44 1200 36 W 4000 K WT	■	4058075352896	2x28W FL	36	4000	110	4000	60000	40000	120
LN SF IP44 1500 43 W 3000 K WT	■	4058075352919	2x28W FL	43	5000	115	3000	60000	40000	120
LN SF IP44 1500 43 W 4000 K WT	■	4058075352933	2x28W FL	43	5000	115	4000	60000	40000	120



Product name	CRI	FLICKER VALUE	IK	IK	L x W x H [mm] Ø x H [mm]
LN SF IP44 1200 36 W 3000 K WT	≥80	<10 %	IK08	2300	1199x145x64.5
LN SF IP44 1200 36 W 4000 K WT	≥80	<10 %	IK08	2300	1199x145x64.5
LN SF IP44 1500 43 W 3000 K WT	≥80	<10 %	IK08	2700	1499x145x64.5
LN SF IP44 1500 43 W 4000 K WT	≥80	<10 %	IK08	2700	1499x145x64.5

## LINEAR SURFACE IP44 EMERGENCY

Robust IP44 luminaires with direct light emission, integrated driver and integrated emergency lighting function

Product name	Segmentation	GTIN (EAN)	RE-PLACE-MENT FOR	W	lm	lm/W	K	L70 <sup>1</sup>	L80 <sup>1</sup>	△
LN SF IP44 EM 1200 36 W 3000 K WT	■	4058075402959	2x28W FL	36	4000	100	3000	60000	40000	120
LN SF IP44 EM 1200 36 W 4000 K WT	■	4058075402973	2x28W FL	36	4000	100	4000	60000	40000	120
LN SF IP44 EM 1500 43 W 3000 K WT	■	4058075402997	2x28W FL	43	5000	110	3000	60000	40000	120
LN SF IP44 EM 1500 43 W 4000 K WT	■	4058075403017	2x28W FL	43	5000	110	4000	60000	40000	120



Product name	CRI	FLICKER VALUE	IK	IK	L x W x H [mm] Ø x H [mm]
LN SF IP44 EM 1200 36 W 3000 K WT	≥80	<10 %	IK08	2400	1199x145x64.5
LN SF IP44 EM 1200 36 W 4000 K WT	≥80	<10 %	IK08	2400	1199x145x64.5
LN SF IP44 EM 1500 43 W 3000 K WT	≥80	<10 %	IK08	2800	1499x145x64.5
LN SF IP44 EM 1500 43 W 4000 K WT	≥80	<10 %	IK08	2800	1499x145x64.5

## EMERGENCY LIGHTING PROPERTIES

Product name	Battery life in emergency operation mode	Type of emergency operation test	Type of emergency light operation	Luminous flux in emergency operation mode	Type of Battery
LN SF IP44 EM 1200 36 W 3000 K WT	3 h	Automatic	Maintained/Non-maintained	350 lm	LiFeP04
LN SF IP44 EM 1200 36 W 4000 K WT	3 h	Automatic	Maintained/Non-maintained	350 lm	LiFeP04
LN SF IP44 EM 1500 43 W 3000 K WT	3 h	Automatic	Maintained/Non-maintained	375 lm	LiFeP04
LN SF IP44 EM 1500 43 W 4000 K WT	3 h	Automatic	Maintained/Non-maintained	375 lm	LiFeP04

<sup>1</sup> t [h]: L70/B50 @ 25 °C (Ta) / t [h]: L80/B10 @ 25 °C (Ta)



# LINEAR SURFACE ACCESSORIES

Mounting accessories for LINEAR SURFACE luminaires



- Suspension Kit:  
transp. cable 5-wire, 2 x wire suspension  
1.5 m + ceiling rose with terminal
- Suspension Wire:  
1 x Y wire suspension 1.5 m

Product name	GTIN (EAN)	L x W x H [mm] Ø x H [mm]	MATERIAL	COLOR		 No.
LN SF Suspension Kit	4058075 <b>607514</b>	40 x -	Steel	Silver	1	1
LN SF Suspension Wire	4058075 <b>607545</b>	1 x -	Steel	Silver	1	2

<sup>1</sup> Refer to [www.ledvance.com/guarantee](http://www.ledvance.com/guarantee) for precise conditions



## LINEAR ULTRA OUTPUT

Surface luminaire with high lumen output and high lumenous efficacy



### PRODUCT FEATURES

- Housing made of robust white sheet steel, end cap and opal diffuser made of polycarbonate (PC)
- Versions with luminous flux between 3500 and 7100 lm available
- Very high luminous efficacy: up to 125 lm/W
- Through-wiring possible
- Tool-free installation by push button terminal and simple click system of the diffuser

### PRODUCT BENEFITS

- Replacement of conventional T8 luminaires: equivalent to 2/36W, 1/58W, 2/58W and 2x80W
- Robust structure with IK08
- Optional reflector accessory and multiple wiring possibilities for flexible applications
- Energy savings of up to 60 % compared to luminaires that use CFL
- 5 years guarantee

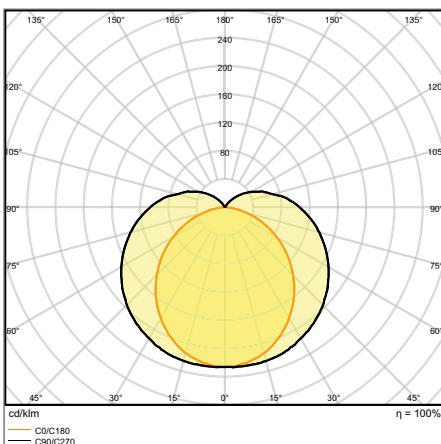
### AREAS OF APPLICATION

- Direct replacement for luminaires with fluorescent lamps
- Indoor applications
- Industrial and commercial halls
- Public areas
- Corridors, stairwells, basements

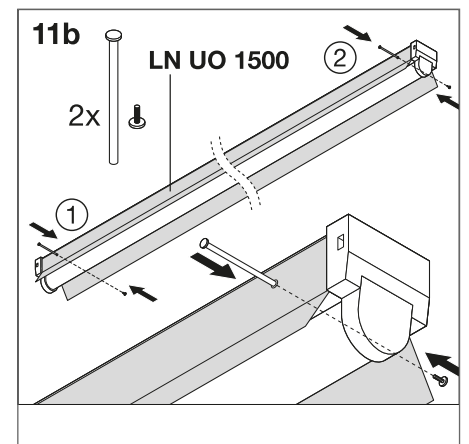
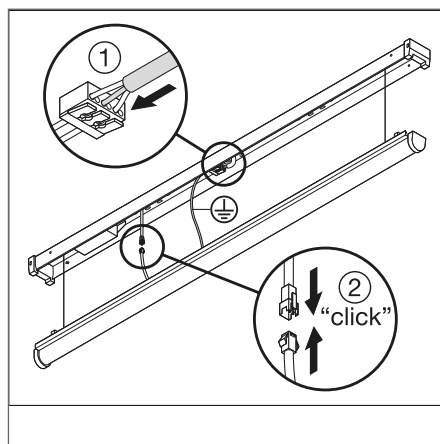
### EQUIPMENT / ACCESSORIES

- Mounting screws and dowels included

## FURTHER PRODUCT DETAILS



LN UO 1500 60 W 4000 K



## LINEAR ULTRA OUTPUT

Surface luminaire with high luminous flux

Product name	Segmentation	GTIN (EAN)	RE-PLACEMENT FOR	W	lm	lm/W	K	L70 <sup>1</sup>	L80 <sup>1</sup>	°
LN UO 1200 25 W 3000 K	■	4058075479937	-	25	2850	115	3000	50000	40000	110
LN UO 1200 25 W 4000 K	■	4058075479951	-	25	2950	120	4000	50000	40000	110
LN UO 1200 33 W 3000 K	■	4058075122147	2x36W FL	33	3700	110	3000	50000	40000	110
LN UO 1200 33 W 4000 K	■	4058075122161	2x36W FL	33	4000	120	4000	50000	40000	110
LN UO 1500 30 W 4000 K	■	4058075122208	1x58W FL	30	3800	125	4000	50000	40000	110
LN UO 1500 46 W 4000 K	■	4058075122246	2x58W FL	46	5500	120	4000	50000	40000	110
LN UO 1500 60 W 4000 K	■	4058075122284	2x80W FL	60	7100	120	4000	50000	40000	110



Product name	CRI	IK	Person icon	L x W x H [mm] Ø x H [mm]
LN UO 1200 25 W 3000 K	≥80	IK08	1260	1168x62x74
LN UO 1200 25 W 4000 K	≥80	IK08	1260	1168x62x74
LN UO 1200 33 W 3000 K	≥80	IK08	1500	1168x62x74
LN UO 1200 33 W 4000 K	≥80	IK08	1260	1168x62x74
LN UO 1500 30 W 4000 K	≥80	IK08	1800	1458x62x74
LN UO 1500 46 W 4000 K	≥80	IK08	1850	1458x62x74
LN UO 1500 60 W 4000 K	≥80	IK08	1850	1458x62x74

## LINEAR ULTRA OUTPUT EMERGENCY

Surface luminaire with high luminous flux and integrated emergency lighting function

Product name	Segmentation	GTIN (EAN)	RE-PLACEMENT FOR	W	lm	lm/W	K	L70 <sup>1</sup>	L80 <sup>1</sup>	°
LN UO EM 1200 25 W 3000 K	■	4058075515208	1x36W FL	25	2850	115	3000	50000	40000	120
LN UO EM 1200 25 W 4000 K	■	4058075515222	1x36W FL	25	2950	120	4000	50000	40000	120
LN UO EM 1200 33 W 3000 K	■	4058075515246	2x36W FL	33	3700	110	3000	50000	40000	120
LN UO EM 1200 33 W 4000 K	■	4058075515260	2x36W FL	33	4000	120	4000	50000	40000	120
LN UO EM 1500 30 W 3000 K	■	4058075515284	1x58W FL	30	3500	220	3000	50000	40000	120
LN UO EM 1500 30 W 4000 K	■	4058075515307	1x58W FL	30	3800	240	4000	50000	40000	120
LN UO EM 1500 46 W 3000 K	■	4058075515321	2x58W FL	46	5000	110	3000	50000	40000	120
LN UO EM 1500 46 W 4000 K	■	4058075515352	2x58W FL	46	5500	120	4000	50000	40000	120
LN UO EM 1500 60 W 3000 K	■	4058075515376	2x80W FL	60	6600	110	3000	50000	40000	120
LN UO EM 1500 60 W 4000 K	■	4058075515390	2x80W FL	60	7100	120	4000	50000	40000	120



Product name	CRI	IK	Person icon	L x W x H [mm] Ø x H [mm]
LN UO EM 1200 25 W 3000 K	≥80	IK08	1410	1168x62x74
LN UO EM 1200 25 W 4000 K	≥80	IK08	1410	1168x62x74
LN UO EM 1200 33 W 3000 K	≥80	IK08	1410	1168x62x74
LN UO EM 1200 33 W 4000 K	≥80	IK08	1410	1168x62x74
LN UO EM 1500 30 W 3000 K	≥80	IK08	2050	1458x62x74
LN UO EM 1500 30 W 4000 K	≥80	IK08	2050	1458x62x74
LN UO EM 1500 46 W 3000 K	≥80	IK08	2100	1458x62x74
LN UO EM 1500 46 W 4000 K	≥80	IK08	2100	1458x62x74
LN UO EM 1500 60 W 3000 K	≥80	IK08	2100	1458x62x74
LN UO EM 1500 60 W 4000 K	≥80	IK08	2100	1458x62x74

<sup>1</sup> t [h]: L70/B50 @ 25 °C (Ta) / t [h]: L80/B10 @ 25 °C (Ta)

## EMERGENCY LIGHTING PROPERTIES

Product name	Battery life in emergency operation mode	Type of emergency operation test	Type of emergency light operation	Luminous flux in emergency operation mode	Type of Battery
LN UO EM 1200 25 W 3000 K	3 h	Automatic	Maintained/Non-maintained	370 lm	LiFeP04
LN UO EM 1200 25 W 4000 K	3 h	Automatic	Maintained/Non-maintained	370 lm	LiFeP04
LN UO EM 1200 33 W 3000 K	3 h	Automatic	Maintained/Non-maintained	370 lm	LiFeP04
LN UO EM 1200 33 W 4000 K	3 h	Automatic	Maintained/Non-maintained	370 lm	LiFeP04
LN UO EM 1500 30 W 3000 K	3 h	Automatic	Maintained/Non-maintained	370 lm	LiFeP04
LN UO EM 1500 30 W 4000 K	3 h	Automatic	Maintained/Non-maintained	370 lm	LiFeP04
LN UO EM 1500 46 W 3000 K	3 h	Automatic	Maintained/Non-maintained	370 lm	LiFeP04
LN UO EM 1500 46 W 4000 K	3 h	Automatic	Maintained/Non-maintained	370 lm	LiFeP04
LN UO EM 1500 60 W 3000 K	3 h	Automatic	Maintained/Non-maintained	370 lm	LiFeP04
LN UO EM 1500 60 W 4000 K	3 h	Automatic	Maintained/Non-maintained	370 lm	LiFeP04





# LINEAR COMPACT

Compact single or light line luminaire



## PRODUCT FEATURES

- Housing made of durable polycarbonate
- High Output and Switch: fast and seamless connection up to a maximum of 10 luminaires per strip
- Batten: lighting strip with connection via the rear of the luminaire with up to 60 luminaires
- Up to 4 different lengths available
- Glow Wire Test according to IEC 60695-2-12: 850 °C

## PRODUCT BENEFITS

- Flexible strip lighting versions possible, plug-in (High Output and Switch) or with wiring (Batten)
- Many options for fast and flexible mounting through extensive accessories
- High luminous flux up to 2500 lm
- Low flicker light thanks to special electronic control gear
- 5 years guarantee

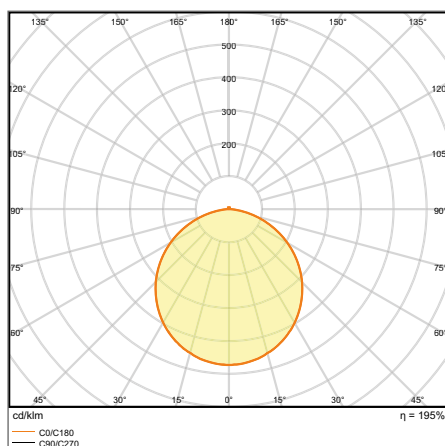
## AREAS OF APPLICATION

- Direct replacement for luminaires with fluorescent lamps
- Indoor applications
- Accent lighting
- Public areas

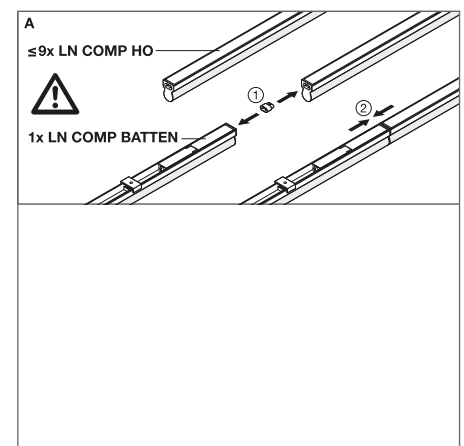
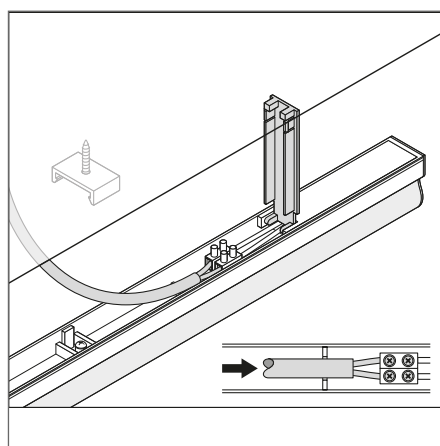
## EQUIPMENT / ACCESSORIES

- Equipped with power plug, cable connector and line adapter for connecting further luminaires
- Mounting material for wall and ceiling installations included

## FURTHER PRODUCT DETAILS



LN COMP Batten 1500 25 W 3000 K



\* Applies only to Linear Compact HO and Switch

<sup>1</sup> Refer to [www.ledvance.com/guarantee](http://www.ledvance.com/guarantee) for precise conditions

The pictures shown in the catalog are for illustration purposes only. For information on size and color, please refer to the product table.

## LINEAR COMPACT SWITCH

Compact single or light line luminaire with switch

Product name	Segmentation	GTIN (EAN)	RE-PLACEMENT FOR	W	lm	lm/W	K	L70 <sup>1</sup>	L80 <sup>1</sup>	△
LN COMP SWITCH 300 4 W 3000 K	■	4058075106079	1x9W FL	4	400	100	3000	50000	40000	140
LN COMP SWITCH 300 4 W 4000 K	■	4058075106093	1x9W FL	4	450	110	4000	50000	40000	140
LN COMP SWITCH 600 8 W 3000 K	■	4058075106116	1x18 W FL	8	800	100	3000	50000	40000	140
LN COMP SWITCH 600 8 W 4000 K	■	4058075106130	1x18 W FL	8	800	100	4000	50000	40000	140
LN COMP SWITCH 900 12 W 3000 K	■	4058075106192	1x30W FL	12	1200	100	3000	50000	40000	140
LN COMP SWITCH 900 12 W 4000 K	■	4058075106215	1x30W FL	12	1200	100	4000	50000	40000	140
LN COMP SWITCH 1200 14 W 3000 K	■	4058075106154	1x36W FL	14	1400	100	3000	50000	40000	140
LN COMP SWITCH 1200 14 W 4000 K	■	4058075106178	1x36W FL	14	1500	100	4000	50000	40000	140



Product name	CRI	FLICKER VALUE	L x W x H [mm] Ø x H [mm]
LN COMP SWITCH 300 4 W 3000 K	>80	<5 %	313x28x36
LN COMP SWITCH 300 4 W 4000 K	>80	<5 %	313x28x36
LN COMP SWITCH 600 8 W 3000 K	>80	<5 %	573x28x36
LN COMP SWITCH 600 8 W 4000 K	>80	<5 %	573x28x36
LN COMP SWITCH 900 12 W 3000 K	>80	<5 %	873x28x36
LN COMP SWITCH 900 12 W 4000 K	>80	<5 %	873x28x36
LN COMP SWITCH 1200 14 W 3000 K	>80	<5 %	1173x28x36
LN COMP SWITCH 1200 14 W 4000 K	>80	<5 %	1173x28x36

## LINEAR COMPACT HIGH OUTPUT

Compact single or light line luminaire with high luminous flux

Product name	Segmentation	GTIN (EAN)	RE-PLACEMENT FOR	W	lm	lm/W	K	L70 <sup>1</sup>	L80 <sup>1</sup>	△
LN COMP HO 600 10 W 3000 K	■	4058075106277	1x18W FL	10	1000	100	3000	50000	40000	140
LN COMP HO 600 10 W 4000 K	■	4058075106291	1x18W FL	10	1000	100	4000	50000	40000	140
LN COMP HO 900 15 W 3000 K	■	4058075106239	1x30W FL	15	1500	100	3000	50000	40000	140
LN COMP HO 900 15 W 4000 K	■	4058075106253	1x30W FL	15	1500	100	4000	50000	40000	140
LN COMP HO 1200 20 W 3000 K	■	4058075106314	1x36W FL	20	2000	100	3000	50000	40000	140
LN COMP HO 1200 20 W 4000 K	■	4058075106338	1x36W FL	20	2000	100	4000	50000	40000	140
LN COMP HO 1500 25 W 3000 K	■	4058075106352	1x58W FL	25	2500	100	3000	50000	40000	140
LN COMP HO 1500 25 W 4000 K	■	4058075106376	1x58W FL	25	2500	100	4000	50000	40000	140



Product name	CRI	L x W x H [mm] Ø x H [mm]
LN COMP HO 600 10 W 3000 K	>80	573x24x36
LN COMP HO 600 10 W 4000 K	>80	573x24x36
LN COMP HO 900 15 W 3000 K	>80	873x24x36
LN COMP HO 900 15 W 4000 K	>80	873x24x36
LN COMP HO 1200 20 W 3000 K	>80	1173x24x36
LN COMP HO 1200 20 W 4000 K	>80	1173x24x36
LN COMP HO 1500 25 W 3000 K	>80	1473x24x36
LN COMP HO 1500 25 W 4000 K	>80	1473x24x36

<sup>1</sup> t [h]: L70/B50 @ 25 °C (Ta) / t [h]: L80/B10 @ 25 °C (Ta)

## LINEAR COMPACT BATTEN

Compact luminaires with a wiring on the back side

Product name	Segmentation	GTIN (EAN)	RE-PLACE-MENT FOR	W	lm	lm/W	K	L70 <sup>1</sup>	L80 <sup>1</sup>	°
LN COMP Batten 600 10 W 3000 K	■	4058075099692	1x18W FL	10	1000	100	3000	50000	40000	140
LN COMP Batten 600 10 W 4000 K	■	4058075099715	1x18W FL	10	1000	100	4000	50000	40000	140
LN COMP Batten 1200 20 W 3000 K	■	4058075099739	1x36W FL	20	2000	100	3000	50000	40000	140
LN COMP Batten 1200 20 W 4000 K	■	4058075099753	1x36W FL	20	2000	100	4000	50000	40000	140
LN COMP Batten 1500 25 W 3000 K	■	4058075099777	1x58W FL	25	2500	100	3000	50000	40000	140
LN COMP Batten 1500 25 W 4000 K	■	4058075099791	1x58W FL	25	2500	100	4000	50000	40000	140



Product name	CRI	L x W x H [mm] Ø x H [mm]
LN COMP Batten 600 10 W 3000 K	>80	575 x 27 x 38
LN COMP Batten 600 10 W 4000 K	>80	575 x 27 x 38
LN COMP Batten 1200 20 W 3000 K	>80	1175 x 27 x 38
LN COMP Batten 1200 20 W 4000 K	>80	1175 x 27 x 38
LN COMP Batten 1500 25 W 3000 K	>80	1475 x 27 x 38
LN COMP Batten 1500 25 W 4000 K	>80	1475 x 27 x 38


<sup>1</sup> t [h]: L70/B50 @ 25 °C (Ta) / t [h]: L80/B10 @ 25 °C (Ta)



# TRUNKING SYSTEMS


## TRUSYS VERSUS TRUSYS PERFORMANCE

**TRUSYS** **PAGE 122**




TRUSYS  
TRUSYS DALI  
TRUSYS ENERGY RAIL  
TRUSYS ACCESSORIES

**PERFORMANCE CLASS**




**TRUSYS PERFORMANCE** **PAGE 112**



TRUSYS PERFORMANCE ON/OFF  
TRUSYS PERFORMANCE DALI  
TRUSYS PERFORMANCE EM  
TRUSYS PERFORMANCE ENERGY RAIL  
TRUSYS PERFORMANCE ACCESSORIES

**PERFORMANCE CLASS**




Shop lighting, discounters, DIY stores	<b>← APPLICATIONS →</b>	Warehouses, industrial applications, factories, workshops
3,000, 4,000 and 6,500 K	<b>← AVAILABLE LIGHT COLORS →</b>	4,000 K
Up to 7,200 lm (up to 135 lm/W) for optimal lighting of merchandise in shops	<b>← AVAILABLE LUMEN VALUES →</b>	5,600, 8,000, 11,200 lm (up to 160 lm/W) allow use in different heights
High-quality attractive SCALE design, anodized aluminum housing	<b>← DESIGN →</b>	Practical, simple and functional design, white housing
Wide (W): 105°, narrow (NFL): 25°, asymmetrical (WW): 45°, double asymmetrical (DA): 2 × 35°	<b>← BEAM ANGLE →</b>	Very wide (VW): 120°, wide (W): 90°, narrow (N): 60°, very narrow (VN): 30°, double symmetric (DS): 2 × 30°
Very simple and time-saving installation thanks to snap-in system and interior luminaire holders	<b>← INSTALLATION →</b>	Tool-free click system

For more detailed information about the TruSys and TruSys Performance systems see the system data sheet at [www.ledvance.com/professional](http://www.ledvance.com/professional)



# TRUSYS® PERFORMANCE

Efficient trunking system for a wide range of applications



## PRODUCT FEATURES

- Sheet steel housing, lens material: PMMA
- Lifetime (L80/B10): up to 60,000 h (at 25 °C)
- Fixed luminaire taps
- Click into place solution with smart click buttons

## PRODUCT BENEFITS

- Economical thanks to high luminous efficacy of 160 lm/W.
- Flexible application through a wide range of beam angles
- New also with double asymmetric beam angle: 2x30°
- Lighting strips with up to 57 luminaires (on/off) and 66 luminaires (DALI)
- Easy installation, no tools required for connection

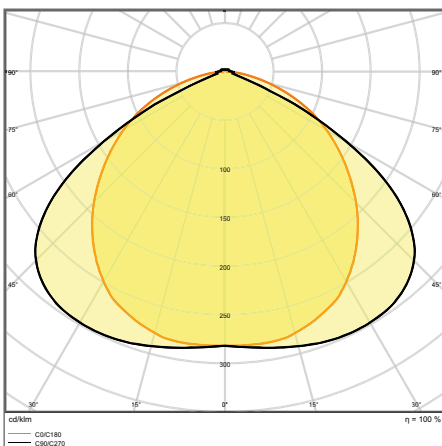
## AREAS OF APPLICATION

- Direct replacement for luminaires with fluorescent lamps
- Industry halls, high rack warehouse, garages, hardware stores
- Discounters, supermarkets

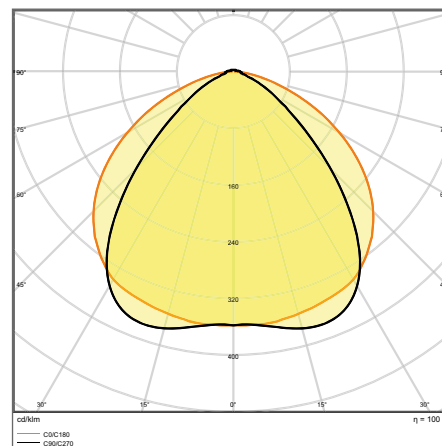
## EQUIPMENT / ACCESSORIES

- Mounting rail with fixed integrated 5- and 8-pole cable

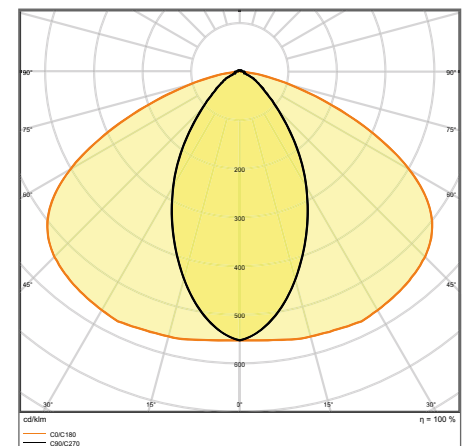
## FURTHER PRODUCT DETAILS



TRUSYS PFM VW 70 W 4000 K



TRUSYS PFM W 70 W 4000 K



TRUSYS PFM N 70 W 4000 K

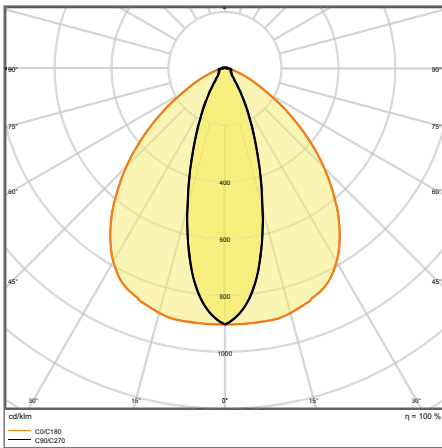
<sup>1</sup> The D mark refers exclusively to the switchable luminaire inserts, DALI and emergency light versions (EM) are excluded.

<sup>2</sup> Refer to [www.ledvance.com/guarantee](http://www.ledvance.com/guarantee) for precise conditions

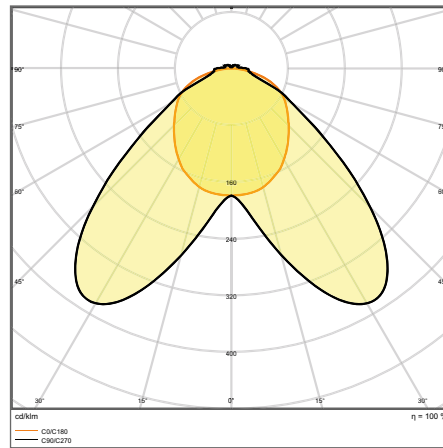
The pictures shown in the catalog are for illustration purposes only. For information on size and color, please refer to the product table.



## FURTHER PRODUCT DETAILS



TRUSYS PFM VN 70 W 4000 K



TRUSYS PFM DS 70 W 4000 K

## TRUSYS® PERFORMANCE

Luminaire inserts for trunking system TruSys® Performance

Product name	Segmentation	GTIN (EAN)	REF. PLACE-MENT FOR	W	lm	lm/W	K	L70	L80	△	⌚
TruSys PFM VW 35 W 4000 K	■	4058075290921	2x80W FL	35	5600	160	4000	65000	60000	120	-
TruSys PFM VW 50 W 4000 K	■	4058075398771	-	50	8000	160	4000	65000	60000	120	-
TruSys PFM VW 70 W 4000 K	■	4058075398818	-	70	11200	160	4000	55000	50000	120	-
TruSys PFM W 35 W 4000 K	■	4058075290839	2x80W FL	35	5600	160	4000	65000	60000	90	-
TruSys PFM W 50 W 4000 K	■	4058075290853	2x80W FL	50	8000	160	4000	65000	60000	90	-
TruSys PFM W 70 W 4000 K	■	4058075290891	2x80W FL	70	11200	160	4000	55000	50000	90	-
TruSys PFM N 35 W 4000 K	■	4058075398719	-	35	5600	160	4000	65000	60000	60	-
TruSys PFM N 50 W 4000 K	■	4058075290945	2x80W FL	50	8000	160	4000	65000	60000	60	-
TruSys PFM N 70 W 4000 K	■	4058075290969	2x80W FL	70	11200	160	4000	55000	50000	60	-
TruSys PFM VN 35 W 4000 K	■	4058075398696	-	35	5600	160	4000	65000	60000	30	-
TruSys PFM VN 50 W 4000 K	■	4058075398757	-	50	8000	160	4000	65000	60000	30	-
TruSys PFM VN 70 W 4000 K	■	4058075290983	2x80W FL	70	11200	160	4000	55000	50000	30	-
TruSys PFM DS 35 W 4000 K	■	4058075398733	-	35	5600	160	4000	65000	60000	2 x 30	-
TruSys PFM DS 50 W 4000 K	■	4058075398795	-	50	8000	160	4000	65000	60000	2 x 30	-
TruSys PFM DS 70 W 4000 K	■	4058075398832	-	70	11200	160	4000	55000	50000	2 x 30	-
TruSys PFM VW 35 W 4000 K DALI	■	4058075291072	2x80W FL	35	5600	160	4000	65000	60000	120	DALI
TruSys PFM W 35 W 4000 K DALI	■	4058075291010	2x80W FL	35	5600	160	4000	65000	60000	90	DALI
TruSys PFM W 50 W 4000 K DALI	■	4058075291034	2x80W FL	50	8000	160	4000	65000	60000	90	DALI
TruSys PFM W 70 W 4000 K DALI	■	4058075291058	2x80W FL	70	11200	160	4000	55000	50000	90	DALI
TruSys PFM N 50 W 4000 K DALI	■	4058075291096	2x80W FL	50	8000	160	4000	65000	60000	60	DALI
TruSys PFM N 70 W 4000 K DALI	■	4058075291119	2x80W FL	70	11200	160	4000	55000	50000	60	DALI
TruSys PFM VN 70 W 4000 K DALI	■	4058075291133	2x80W FL	70	11200	160	4000	55000	50000	30	DALI



Product name	CRI	FLICKER VALUE	9	L x W x H [mm]	∅ x H [mm]
TruSys PFM VW 35 W 4000 K	≥80	<8 %	1660	1500 x 66.8 x 39.4	
TruSys PFM VW 50 W 4000 K	≥80	<8 %	1660	1500 x 66.8 x 39.4	
TruSys PFM VW 70 W 4000 K	≥80	<8 %	1660	1500 x 66.8 x 39.4	
TruSys PFM W 35 W 4000 K	≥80	<8 %	1660	1500 x 66.8 x 39.4	
TruSys PFM W 50 W 4000 K	≥80	<8 %	1660	1500 x 66.8 x 39.4	
TruSys PFM W 70 W 4000 K	≥80	<8 %	1660	1500 x 66.8 x 39.4	
TruSys PFM N 35 W 4000 K	≥80	<8 %	1660	1500 x 66.8 x 39.4	
TruSys PFM N 50 W 4000 K	≥80	<8 %	1660	1500 x 66.8 x 39.4	
TruSys PFM N 70 W 4000 K	≥80	<8 %	1660	1500 x 66.8 x 39.4	
TruSys PFM VN 35 W 4000 K	≥80	<8 %	1660	1500 x 66.8 x 39.4	
TruSys PFM VN 50 W 4000 K	≥80	<8 %	1660	1500 x 66.8 x 39.4	
TruSys PFM VN 70 W 4000 K	≥80	<8 %	1660	1500 x 66.8 x 39.4	
TruSys PFM DS 35 W 4000 K	≥80	<8 %	1660	1500 x 66.8 x 39.4	
TruSys PFM DS 50 W 4000 K	≥80	<8 %	1660	1500 x 66.8 x 39.4	
TruSys PFM DS 70 W 4000 K	≥80	<8 %	1660	1500 x 66.8 x 39.4	
TruSys PFM VW 35 W 4000 K DALI	≥80	<5 %	1660	1500 x 66.8 x 39.4	
TruSys PFM W 35 W 4000 K DALI	≥80	<5 %	1660	1500 x 66.8 x 39.4	
TruSys PFM W 50 W 4000 K DALI	≥80	<5 %	1660	1500 x 66.8 x 39.4	
TruSys PFM W 70 W 4000 K DALI	≥80	<5 %	1660	1500 x 66.8 x 39.4	
TruSys PFM N 50 W 4000 K DALI	≥80	<5 %	1660	1500 x 66.8 x 39.4	
TruSys PFM N 70 W 4000 K DALI	≥80	<5 %	1660	1500 x 66.8 x 39.4	
TruSys PFM VN 70 W 4000 K DALI	≥80	<5 %	1660	1500 x 66.8 x 39.4	

<sup>1</sup> t [h]: L70/B50 @ 25 °C (Ta) / t [h]: L80/B10 @ 25 °C (Ta)

## TRUSYS® PERFORMANCE EMERGENCY

Luminaire inserts for trunking system TruSys® Performance for standard and emergency lighting

Product name	Segmentation	GTIN (EAN)	RE-PLACEMENT FOR	W	lm	lm/W	K	L70 <sup>1</sup>	L80 <sup>1</sup>	°
TruSys PFM EM W 35 W 4000 K AT 3H	■	4058075291157	2x80W FL	35	5600	160	4000	65000	60000	90
TruSys PFM EM W 50 W 4000 K AT 3H	■	4058075291171	2x80W FL	50	8000	160	4000	65000	60000	90
TruSys PFM EM W 70 W 4000 K AT 3H	■	4058075291195	2x80W FL	70	11200	160	4000	55000	50000	90
TruSys PFM EM VW 35 W 4000 K AT 3H	■	4058075291218	2x80W FL	35	5600	160	4000	65000	60000	120
TruSys PFM EM N 50 W 4000 K AT 3H	■	4058075291232	2x80W FL	50	8000	160	4000	65000	60000	60
TruSys PFM EM N 70 W 4000 K AT 3H	■	4058075291256	2x80W FL	70	11200	160	4000	55000	50000	60
TruSys PFM EM VN 70 W 4000 K AT 3H	■	4058075291270	2x80W FL	70	11200	160	4000	55000	50000	30



Product name	CRI	FLICKER VALUE	Icon	L x W x H [mm]	Ø x H [mm]
TruSys PFM EM W 35 W 4000 K AT 3H	≥80	<8 %	1660	1500 x 66.8 x 39.4	
TruSys PFM EM W 50 W 4000 K AT 3H	≥80	<8 %	1660	1500 x 66.8 x 39.4	
TruSys PFM EM W 70 W 4000 K AT 3H	≥80	<8 %	1660	1500 x 66.8 x 39.4	
TruSys PFM EM VW 35 W 4000 K AT 3H	≥80	<8 %	1660	1500 x 66.8 x 39.4	
TruSys PFM EM N 50 W 4000 K AT 3H	≥80	<8 %	1660	1500 x 66.8 x 39.4	
TruSys PFM EM N 70 W 4000 K AT 3H	≥80	<8 %	1660	1500 x 66.8 x 39.4	
TruSys PFM EM VN 70 W 4000 K AT 3H	≥80	<8 %	1660	1500 x 66.8 x 39.4	

## EMERGENCY LIGHTING PROPERTIES

Product name	Battery life in emergency operation mode	Type of emergency operation test	Type of emergency light operation	Luminous flux in emergency operation mode	Type of Battery
TruSys PFM EM W 35 W 4000 K AT 3H	3 h	Automatic	Maintained/Non-maintained	600 lm	LiFePO4
TruSys PFM EM W 50 W 4000 K AT 3H	3 h	Automatic	Maintained/Non-maintained	600 lm	LiFePO4
TruSys PFM EM W 70 W 4000 K AT 3H	3 h	Automatic	Maintained/Non-maintained	600 lm	LiFePO4
TruSys PFM EM VW 35 W 4000 K AT 3H	3 h	Automatic	Maintained/Non-maintained	600 lm	LiFePO4
TruSys PFM EM N 50 W 4000 K AT 3H	3 h	Automatic	Maintained/Non-maintained	600 lm	LiFePO4
TruSys PFM EM N 70 W 4000 K AT 3H	3 h	Automatic	Maintained/Non-maintained	600 lm	LiFePO4
TruSys PFM EM VN 70 W 4000 K AT 3H	3 h	Automatic	Maintained/Non-maintained	600 lm	LiFePO4

<sup>1</sup> t [h]: L70/B50 @ 25 °C (Ta) / t [h]: L80/B10 @ 25 °C (Ta)



## TRUSYS® PERFORMANCE

Trunking system - Energy rails



- High flexibility thanks to two available lengths (1500 mm, 3000 mm and 1500 mm end rail)
- Simple installation
- Steel-sheet housing
- Internal power supply at the first luminaire with separate feeder
- Through-wired with 5-pin or 8-pin cable
- End-Rail without electrical and mechanical connectors

### AREAS OF APPLICATION

- Industry halls, high rack warehouse, garages, hardware stores

### EQUIPMENT / ACCESSORIES

- Various accessories available\*

## TRUSYS® PERFORMANCE ENERGY RAILS

Mounting rails for trunking system TruSys® Performance

Product name	GTIN (EAN)	L x W x H [mm] Ø x H [mm]	MATERIAL	COLOR	
TruSys PFM ENERGY RAIL 5P 1500	4058075299443	1650 x 70 x 39	Steel	White	10
TruSys PFM ENERGY RAIL 5P 1500	4058075299566	1650 x 70 x 39	Steel	White	1
TruSys PFM ENERGY RAIL 5P 1500 END	4058075299474	1500 x 70 x 39	Steel	White	10
TruSys PFM ENERGY RAIL 5P 1500 END	4058075354753	1500 x 70 x 39	Steel	White	1
TruSys PFM ENERGY RAIL 5P 3000	4058075299498	3150 x 70 x 39	Steel	White	10
TruSys PFM ENERGY RAIL 5P 3000	4058075354777	3150 x 70 x 39	Steel	White	1
TruSys PFM ENERGY RAIL 8P 1500	4058075299504	1650 x 70 x 39	Steel	White	10
TruSys PFM ENERGY RAIL 8P 1500	4058075299573	1650 x 70 x 39	Steel	White	1
TruSys PFM ENERGY RAIL 8P 1500 END	4058075299559	1500 x 70 x 39	Steel	White	10
TruSys PFM ENERGY RAIL 8P 1500 END	4058075354760	1500 x 70 x 39	Steel	White	1
TruSys PFM ENERGY RAIL 8P 3000	4058075354784	3150 x 70 x 39	Steel	White	1
TruSys PFM ENERGY RAIL 8P 3000	4058075299450	3150 x 70 x 39	Steel	White	10

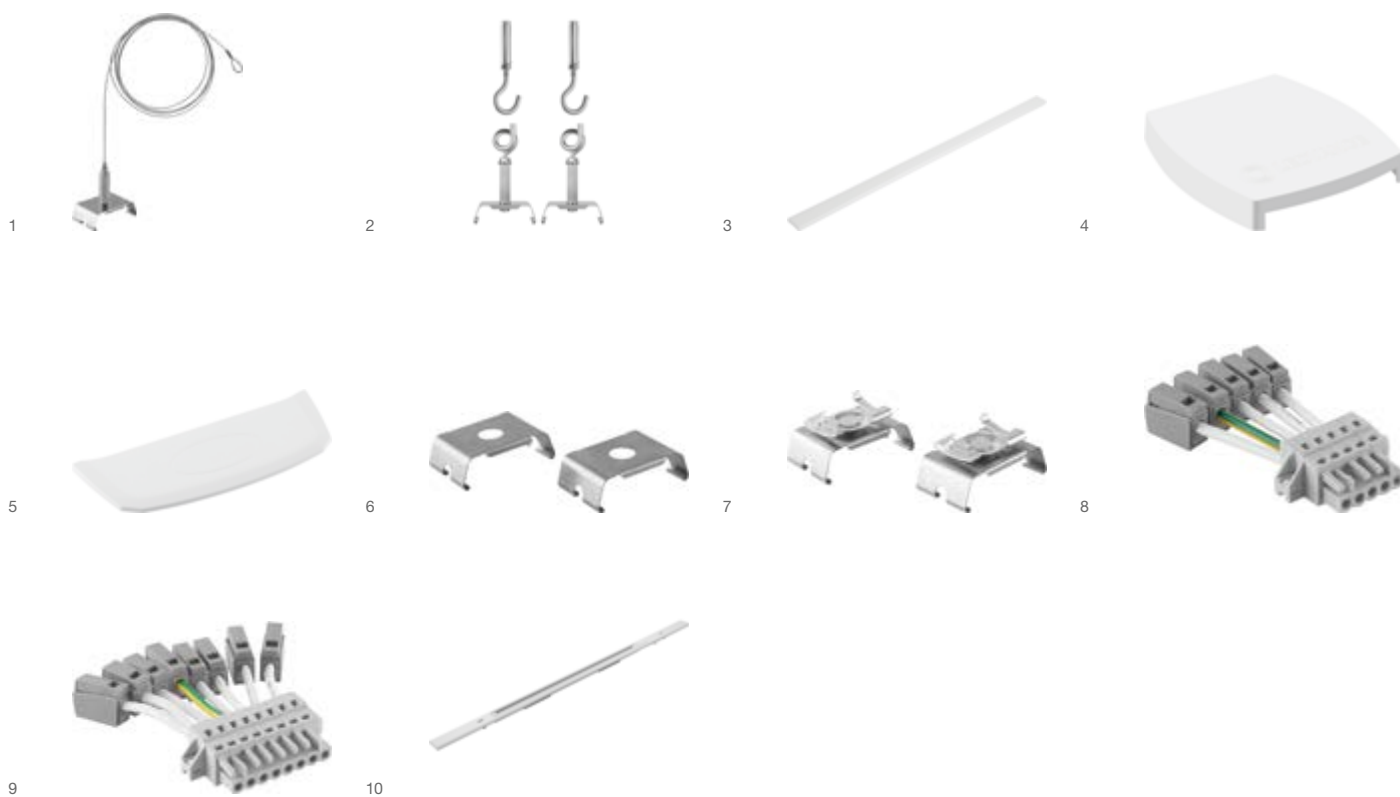
\* Please note: available = available as an optional accessory.

<sup>1</sup> Refer to [www.ledvance.com/guarantee](http://www.ledvance.com/guarantee) for precise conditions



# TRUSYS® PERFORMANCE

## Trunking system - Accessories



- Suspension Kit:  
wire suspension with bracket and 3 m steel cable
- Chain Kit:  
set consists of 2 mounting brackets and swing hooks
- End Cap Energy rail:  
End cap for track and luminaire carrier in one
- EndCap Low Energy Rail:  
End cap only for track
- Surface Clip:  
set consists of 2 mounting clips for ceiling mounting
- Grid Ceiling Clip:  
1 mounting clip for surface mounting on grid ceilings
- Spot Track 1500:  
150 cm insert with a 90 cm track rail for installation of up to 3 LEDVANCE track spots

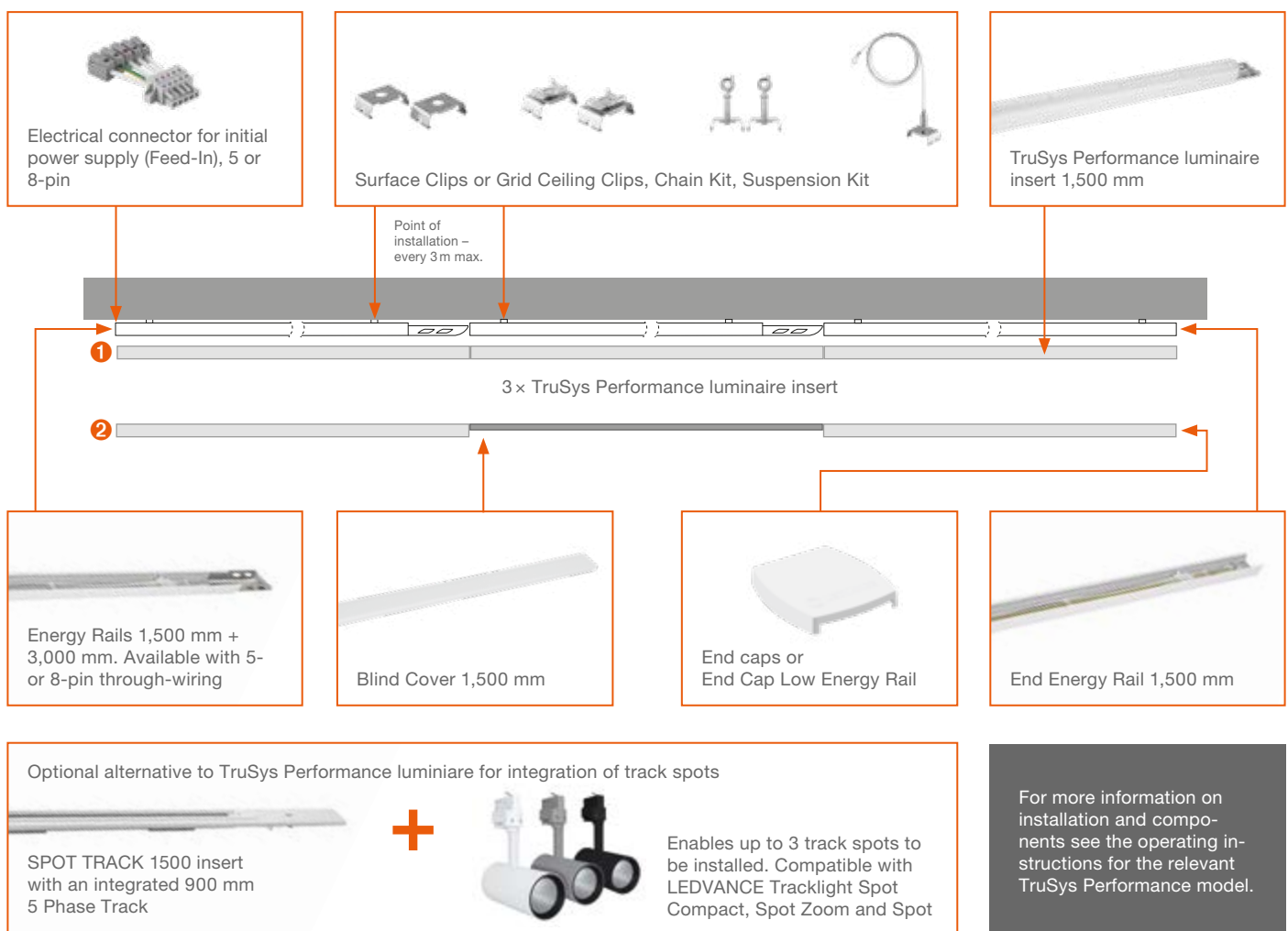
Product name	GTIN (EAN)	L × W × H [mm] Ø × H [mm]	MATERIAL	COLOR	No.	No.
TruSys PFM Suspension Kit	4058075284234	3000 x 35 x 65	Steel	White	2	1
TruSys PFM Chain Kit	4058075284258	90 x 28 x 10	Steel	White	2	2
TruSys PFM Blind Cover	4058075284296	1500 x 73 x 20	Polycarbonate (PC)	White	1	3
TruSys PFM End Cap Energy Rail	4058075284319	78 x 72 x 13	Polycarbonate (PC)	White	2	4
TruSys PFM End Cap Low Energy Rail	4058075464926	27 x 66 x 6	Polycarbonate (PC)	White	2	5
TruSys PFM Surface Clip	4058075284333	57 x 35 x 18	Steel	Silver	2	6
TruSys PFM Grid Ceiling Clip	4058075284609	57 x 35 x 26	Steel	Silver	2	7
TruSys PFM Feed-in 5P	4058075284623	85 x 55 x 15	Polycarbonate (PC)	Silver	1	8
TruSys PFM Feed-in 8P	4058075284647	85 x 55 x 15	Polycarbonate (PC)	Silver	1	9
TruSys PFM SPOT TRACK 1500 5P	4058075524422	1498 x 69 x 15	Steel	White	1	10

<sup>1</sup> Refer to [www.ledvance.com/guarantee](http://www.ledvance.com/guarantee) for precise conditions

# OUR CHECKLIST FOR YOUR PERFECT TRUSYS PERFORMANCE SOLUTION

**Example installation:** So you can install a tailor-made TruSys Performance lighting system for your customers we have put together a summary of the components you'll need for individual luminaires or strip lighting. With appropriate accessories depending on the type of mounting (surface or suspended). For simple strip lighting the mechanical and electrical connectors are already integrated in the trunking.

## TRUSYS PERFORMANCE INSTALLATION ① WITHOUT AND ② WITH BLIND COVER



### FOR INSTALLATION YOU WILL NEED:

- 1 × TruSys Performance Feed-in (5- or 8-pin)
- X × TruSys Performance Energy Rail 5- or 8-pin (available as a collective (10 ×) or single unit)
- 1 × TruSys Performance End Energy Rail
- X × TruSys Performance LED luminaire insert (TruSys Performance Blind Cover as required)
- X × TruSys Performance Spot Track 1500 insert (optional)
- X × Accessories depending on type of mounting (surface or suspended)
- 1 × Set TruSys Performance End Cap Energy Rail or End Cap Low Energy Rail



# TRUSYS PERFORMANCE REQUIREMENTS TABLE



Requirements table for sample strip lighting when allocating luminaire inserts to every second insert adapter (50%) or every third insert adapter (33%) on the mounting rails (Energy Rail).

50 %								
Length of strip lighting	TruSys PFM luminaire insert	Blind cover	3m rail	1.5m rail	End rail	Min. installation points <sup>1</sup>	Feed-in adapter	End caps
4.5m	2	1	1	0	1	2	1	2
7.5m	3	2	2	0	1	3	1	2
10.5m	4	3	3	0	1	4	1	2
13.5m	5	4	4	0	1	5	1	2
16.5m	6	5	5	0	1	6	1	2
19.5m	7	6	6	0	1	7	1	2
22.5m	8	7	7	0	1	8	1	2
25.5m	9	8	8	0	1	9	1	2
28.5m	10	9	9	0	1	10	1	2
31.5m	11	10	10	0	1	11	1	2
34.5m	12	11	11	0	1	12	1	2
37.5m	13	12	12	0	1	13	1	2
40.5m	14	13	13	0	1	14	1	2
43.5m	15	14	14	0	1	15	1	2
46.5m	16	15	15	0	1	16	1	2
49.5m	17	16	16	0	1	17	1	2

33 %								
Length of strip lighting	TruSys PFM luminaire insert	Blind cover	3m rail	1.5m rail	End rail	Min. installation points <sup>1</sup>	Feed-in adapter	End caps
6.0m	2	2	1	1	1	3	1	2
10.5m	3	4	3	0	1	4	1	2
15.0m	4	6	4	1	1	6	1	2
19.5m	5	8	5	0	1	7	1	2
24.0m	6	10	7	1	1	9	1	2
28.5m	7	12	9	0	1	10	1	2
33.0m	8	14	10	1	1	12	1	2
37.5m	9	16	12	0	1	13	1	2
42.0m	10	18	13	1	1	15	1	2
46.5m	11	20	15	0	1	16	1	2
51.0m	12	22	16	1	1	18	1	2

Luminaire insert 1,500 mm

Blind cover 1,500 mm

All figures mentioned are based on a single installation; deviations from the content possible as per EAN. For precise light planning for your project, please contact your sales representative.  
<sup>1</sup> Calculation based on a distance of 0.75 m from the start and end of the rail to the first and last installation point. Additional installation points every 3 m max.





# TRUSYS®

High quality trunking system for a wide range of applications



## PRODUCT FEATURES

- Luminaire carrier made of high-quality aluminum
- Lifetime (L80/B10): up to 50,000 h (at 25 °C)
- Fixed energy taps for electrical connection
- Mounting clips not visible after installation

## PRODUCT BENEFITS

- Luminous efficacy: up to 135 lm/ W
- Innovative optical design with a rod lense-technology over the entire length of the luminaire
- Rows of up to 81 luminaires and a overall length of 124 m possible
- Energy savings of up to 65 % compared to luminaires with 2 x 80 W T5 lamps
- Flexible application through a wide range of beam angles including asymmetrical optics

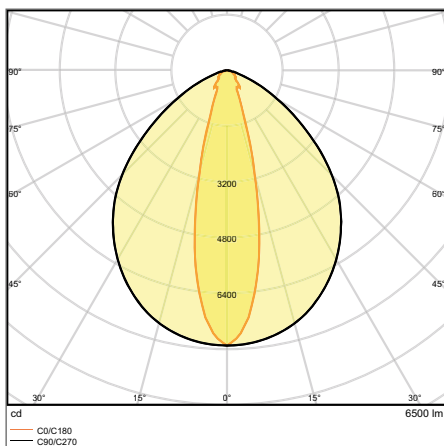
## AREAS OF APPLICATION

- Direct replacement for luminaires with compact fluorescent lamps
- Industry halls, high rack warehouse, garages, hardware stores
- Discounters, supermarkets

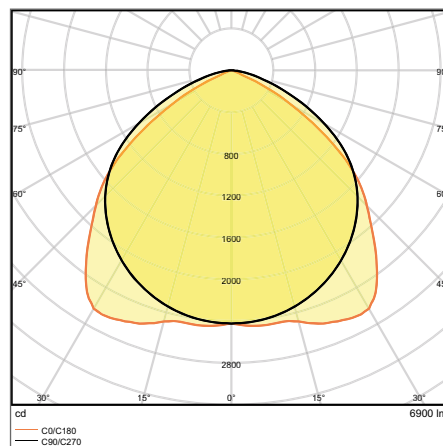
## EQUIPMENT / ACCESSORIES

- Mounting rail with fixed integrated 5- (On-Off) / 7-pole (DALI) cable

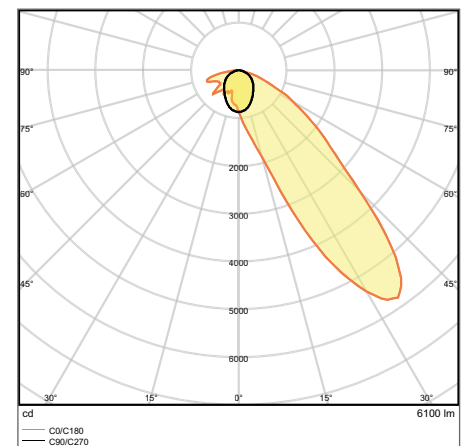
## FURTHER PRODUCT DETAILS



TRUSYS 53 W 6500 K NFL



TRUSYS 53 W 6500 K K

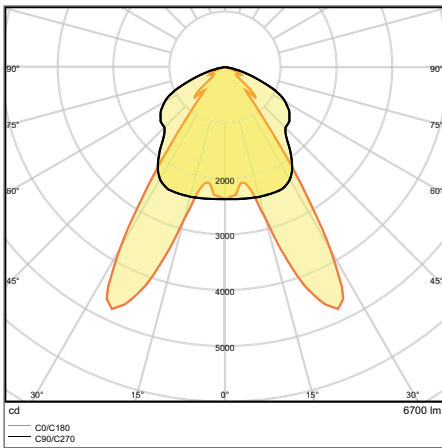


TRUSYS 53 W 6500 K WW

<sup>1</sup> Refer to [www.ledvance.com/guarantee](http://www.ledvance.com/guarantee) for precise conditions

The pictures shown in the catalog are for illustration purposes only. For information on size and color, please refer to the product table.

## FURTHER PRODUCT DETAILS



TRUSYS 53 W 6500 K DA

Luminaire inserts for trunking system TruSys®: ON/OFF and DALI

Product name	Segmentation	GTIN (EAN)		W	lm	lm/W	K	L70	L80		
TruSys W 53 W 3000 K SI	■	4058075100459	2x80W FL	53	6600	125	3000	75000	50000	105	-
TruSys W 53 W 4000 K SI	■	4058075100473	2x80W FL	53	7200	135	4000	75000	50000	105	-
TruSys W 53 W 6500 K SI	■	4058075100497	2x80W FL	53	6900	130	6500	75000	50000	105	-
TruSys NFL 53 W 3000 K SI	■	4058075100510	2x80W FL	53	6200	115	3000	75000	50000	25	-
TruSys NFL 53 W 4000 K SI	■	4058075100534	2x80W FL	53	6700	125	4000	75000	50000	25	-
TruSys NFL 53 W 6500 K SI	■	4058075100558	2x80W FL	53	6500	125	6500	75000	50000	25	-
TruSys WW 53 W 3000 K SI	■	4058075100572	2x80W FL	53	5700	110	3000	75000	50000	45	-
TruSys WW 53 W 4000 K SI	■	4058075100596	2x80W FL	53	6300	120	4000	75000	50000	45	-
TruSys WW 53 W 6500 K SI	■	4058075100619	2x80W FL	53	6100	115	6500	75000	50000	45	-
TruSys DA 53 W 3000 K SI	■	4058075100633	2x80W FL	53	6400	120	3000	75000	50000	2 x 35	-
TruSys DA 53 W 4000 K SI	■	4058075100657	2x80W FL	53	6900	130	4000	75000	50000	2 x 35	-
TruSys DA 53 W 6500 K SI	■	4058075100671	2x80W FL	53	6700	125	6500	75000	50000	2 x 35	-
TruSys W 53 W 3000 K SI DALI	■	4058075102460	2x80W FL	53	6600	125	3000	75000	50000	105	DALI
TruSys W 53 W 4000 K SI DALI	■	4058075102484	2x80W FL	53	7200	135	4000	75000	50000	105	DALI
TruSys W 53 W 6500 K SI DALI	■	4058075102507	2x80W FL	53	6900	130	6500	75000	50000	105	DALI
TruSys NFL 53 W 3000 K SI DALI	■	4058075102521	2x80W FL	53	6200	115	3000	75000	50000	25	DALI
TruSys NFL 53 W 4000 K SI DALI	■	4058075102545	2x80W FL	53	6700	125	4000	75000	50000	25	DALI
TruSys NFL 53 W 6500 K SI DALI	■	4058075102569	2x80W FL	53	6500	125	6500	75000	50000	25	DALI
TruSys WW 53 W 3000 K SI DALI	■	4058075102583	2x80W FL	53	5700	110	3000	75000	50000	45	DALI
TruSys WW 53 W 4000 K SI DALI	■	4058075102606	2x80W FL	53	6300	120	4000	75000	50000	45	DALI
TruSys WW 53 W 6500 K SI DALI	■	4058075102620	2x80W FL	53	6100	115	6500	75000	50000	45	DALI
TruSys DA 53 W 3000 K SI DALI	■	4058075102644	2x80W FL	53	6400	120	3000	75000	50000	2 x 35	DALI
TruSys DA 53 W 4000 K SI DALI	■	4058075102668	2x80W FL	53	6900	130	4000	75000	50000	2 x 35	DALI
TruSys DA 53 W 6500 K SI DALI	■	4058075102682	2x80W FL	53	6700	125	6500	75000	50000	2 x 35	DALI



Product name	CRI	FLICKER VALUE	IK		L x W x H [mm] Ø x H [mm]
TruSys W 53 W 3000 K SI	≥80	<5 %	IK07	1740	1534x71x53
TruSys W 53 W 4000 K SI	≥80	<5 %	IK07	1740	1534x71x53
TruSys W 53 W 6500 K SI	≥80	<5 %	IK07	1740	1534x71x53
TruSys NFL 53 W 3000 K SI	≥80	<5 %	IK07	1740	1534x71x53
TruSys NFL 53 W 4000 K SI	≥80	<5 %	IK07	1740	1534x71x53
TruSys NFL 53 W 6500 K SI	≥80	<5 %	IK07	1740	1534x71x53
TruSys WW 53 W 3000 K SI	≥80	<5 %	IK07	1740	1534x71x53
TruSys WW 53 W 4000 K SI	≥80	<5 %	IK07	1740	1534x71x53
TruSys WW 53 W 6500 K SI	≥80	<5 %	IK07	1740	1534x71x53
TruSys DA 53 W 3000 K SI	≥80	<5 %	IK07	1740	1534x71x53
TruSys DA 53 W 4000 K SI	≥80	<5 %	IK07	1740	1534x71x53
TruSys DA 53 W 6500 K SI	≥80	<5 %	IK07	1740	1534x71x53
TruSys W 53 W 3000 K SI DALI	≥80	<5 %	IK07	1800	1534x71x53
TruSys W 53 W 4000 K SI DALI	≥80	<5 %	IK07	1800	1534x71x53
TruSys W 53 W 6500 K SI DALI	≥80	<5 %	IK07	1800	1534x71x53
TruSys NFL 53 W 3000 K SI DALI	≥80	<5 %	IK07	1800	1534x71x53
TruSys NFL 53 W 4000 K SI DALI	≥80	<5 %	IK07	1800	1534x71x53
TruSys NFL 53 W 6500 K SI DALI	≥80	<5 %	IK07	1800	1534x71x53
TruSys WW 53 W 3000 K SI DALI	≥80	<5 %	IK07	1800	1534x71x53
TruSys WW 53 W 4000 K SI DALI	≥80	<5 %	IK07	1800	1534x71x53
TruSys WW 53 W 6500 K SI DALI	≥80	<5 %	IK07	1800	1534x71x53
TruSys DA 53 W 3000 K SI DALI	≥80	<5 %	IK07	1800	1534x71x53
TruSys DA 53 W 4000 K SI DALI	≥80	<5 %	IK07	1800	1534x71x53
TruSys DA 53 W 6500 K SI DALI	≥80	<5 %	IK07	1800	1534x71x53

<sup>1</sup> t [h]: L70/B50 @ 25 °C (Ta) / t [h]: L80/B10 @ 25 °C (Ta)

■ SUPERIOR CLASS ■ PERFORMANCE CLASS ■ VALUE CLASS



## TRUSYS®

Trunking system - Energy rails



- High flexibility thanks to three available lengths (1500 mm, 3000 mm, 4500 mm)
- Simple installation
- Rigid housing made of aluminum
- Internal power supply at the first luminaire with separate feeder
- Through-wired with 5-pin or 7-pin cable

### AREAS OF APPLICATION

- Industry halls, high rack warehouse, garages, hardware stores
- Discounters, supermarkets

### EQUIPMENT / ACCESSORIES

- Various accessories available\*

## TRUSYS® ENERGY RAILS

Mounting rails for trunking system TruSys®

Product name	GTIN (EAN)	L x W x H [mm] Ø x H [mm]	MATERIAL	COLOR	
TruSys ENERGY RAIL 1500 5X2,5	4058075100299	1535x67x44	Aluminum	Silver	1
TruSys ENERGY RAIL 3000 5X2,5	4058075100312	3070x67x44	Aluminum	Silver	1
TruSys ENERGY RAIL 4500 5X2,5	4058075100336	4605x67x44	Aluminum	Silver	1
TruSys ENERGY RAIL DALI 1500 7X2,5	4058075103450	1535x67x44	Aluminum	Silver	1
TruSys ENERGY RAIL DALI 3000 7X2,5	4058075103474	3068x67x44	Aluminum	Silver	1
TruSys ENERGY RAIL DALI 4500 7X2,5	4058075103498	4601x67x44	Aluminum	Silver	1

\* Please note: available = available as an optional accessory.

<sup>1</sup> Refer to [www.ledvance.com/guarantee](http://www.ledvance.com/guarantee) for precise conditions



# TRUSYS®

## Trunking system - Accessories



- Suspension Kit: wire suspension with bracket and 3 m steel cable
- Blind Cover: 1534 mm
- Electrical Connector: for initial power supply

## TRUSYS® ACCESSORIES

### Mounting accessories for TruSys®

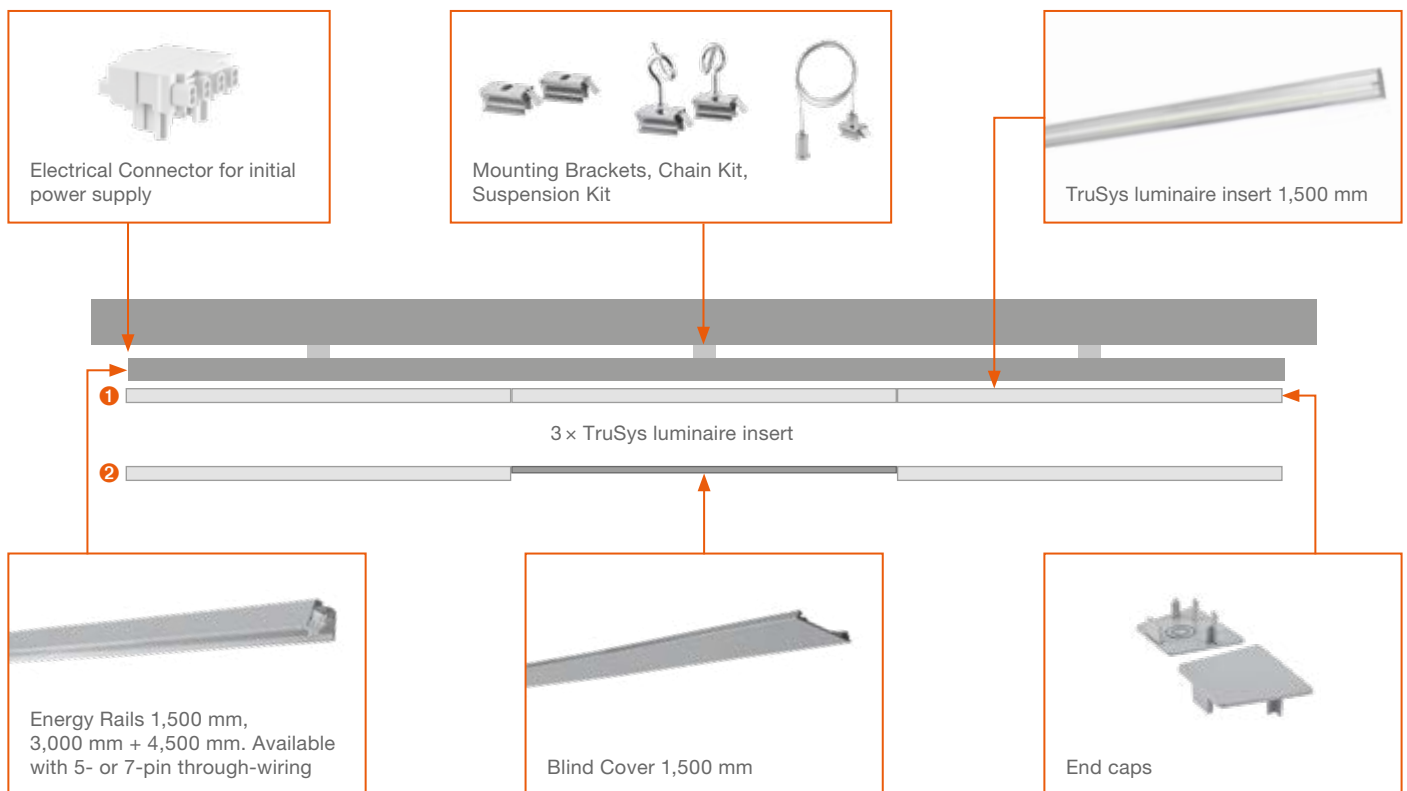
Product name	GTIN (EAN)	L x W x H [mm] Ø x H [mm]	MATERIAL	COLOR		No.
TruSys End Cap Energy Rail	4058075100411	12x67x47	Aluminum	Aluminum	2	1
TruSys Suspension Kit	4058075100350	3000x-x-	Aluminum	Silver	2	2
TruSys Mounting Brackets	4058075100435	30x20x15	Aluminum	Aluminum	2	3
TruSys Chain Kit	4058075100374	44x40x55	Aluminum	Silver	2	4
TruSys Blind Cover	4058075100398	1534x67x12	Aluminum	Silver	1	5
TruSys Electrical Connector	4058075155565	42x41x29	Aluminum	White	1	6
TruSys Electrical Connector DALI	4058075155589	42x41x29	Aluminum	White	1	6

<sup>1</sup> Refer to [www.ledvance.com/guarantee](http://www.ledvance.com/guarantee) for precise conditions

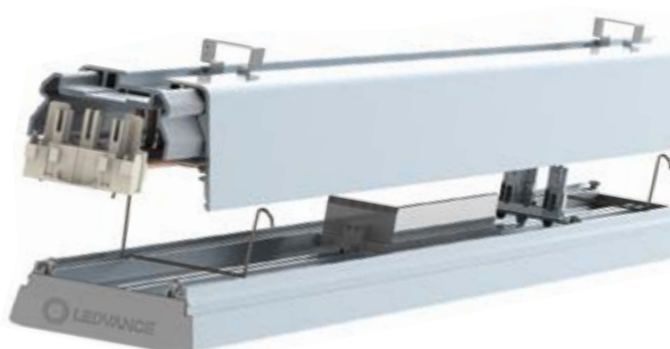
# OUR CHECKLIST FOR YOUR PERFECT TRUSYS SOLUTION

**Example installation:** So you can install a tailor-made TruSys lighting system for your customers we have put together a summary of the components you'll need for individual luminaires or strip lighting. With appropriate accessories depending on the type of mounting (surface or suspended). For simple strip lighting the mechanical and electrical connectors are already integrated in the trunking.

## TRUSYS INSTALLATION ❶ WITHOUT AND ❷ WITH BLIND COVER



For more information on installation and components see the operating instructions for the relevant TruSys model.



### FOR INSTALLATION YOU WILL NEED:



- 1 × TruSys Electrical Connector (5 × 2.5 or 7 × 2.5)
- X × TruSys Energy Rail
- X × TruSys LED luminaire insert (TruSys Blind Cover as required)
- X × Accessories depending on type of mounting (surface or suspended)
- 1 × Set TruSys End Cap Energy Rail

# TRUSYS REQUIREMENTS TABLE



Requirements table for sample strip lighting when allocating luminaire inserts to every second insert adapter (50 %) or every third insert adapter (33 %) on the mounting rails (Energy Rail).

50 %								
Length of strip lighting	TruSys luminaire insert	Blind cover	4.5m rail	3m rail	1.5m rail	Min. installation points <sup>1</sup>	Feed-in adapter	End caps
4.5m	2	1	1	0	1	2	1	2
7.5m	3	2	1	1	0	3	1	2
10.5m	4	3	2	0	1	4	1	2
13.5m	5	4	3	0	0	5	1	2
16.5m	6	5	3	1	0	6	1	2
19.5m	7	6	4	0	1	7	1	2
22.5m	8	7	5	0	0	8	1	2
25.5m	9	8	5	1	0	9	1	2
28.5m	10	9	6	0	1	10	1	2
31.5m	11	10	7	0	0	11	1	2
34.5m	12	11	7	1	0	12	1	2
37.5m	13	12	8	0	1	13	1	2
40.5m	14	13	9	0	0	14	1	2
43.5m	15	14	9	1	0	15	1	2
46.5m	16	15	10	0	1	16	1	2
49.5m	17	16	11	0	0	17	1	2

33 %								
Length of strip lighting	TruSys luminaire insert	Blind cover	4.5m rail	3m rail	1.5m rail	Min. installation points <sup>1</sup>	Feed-in adapter	End caps
6.0m	2	2	1	0	1	3	1	2
10.5m	3	4	2	0	1	4	1	2
15.0m	4	6	3	0	1	6	1	2
19.5m	5	8	4	0	1	7	1	2
24.0m	6	10	5	0	1	9	1	2
28.5m	7	12	6	0	1	10	1	2
33.0m	8	14	7	0	1	12	1	2
37.5m	9	16	8	0	1	13	1	2
42.0m	10	18	9	0	1	15	1	2
46.5m	11	20	10	0	1	16	1	2
51.0m	12	22	11	0	1	18	1	2

 Luminaire insert 1,500 mm

 Blind cover 1,500 mm

All figures mentioned are based on a single installation; deviations from the content possible as per EAN. For precise light planning for your project, please contact your sales representative.  
<sup>1</sup> Calculation based on a distance of 0.75 m from the start and end of the rail to the first and last installation point. Additional installation points every 3 m max.





# DAMP-PROOF LUMINAIRES

FIRST-CLASS LIGHTING AND EASY INSTALLATION –  
STANDING OUT IN DEMANDING ENVIRONMENTS

## DAMP PROOF SPECIAL GEN 2



PERFORMANCE CLASS

Page 138



### FOR SPECIAL APPLICATIONS

- Completely sealed for use in agricultural applications
- Also usable in uncovered outdoor areas
- Via the rotatable mounting the luminaire can be fixed in any position for optimal light steering

## DAMP PROOF COMPACT IP66



PERFORMANCE CLASS

Page 132



### MODERN DAMP-PROOF LUMINAIRE

- Easy access to the terminal thanks to the twist-and-lock mechanism on the end cap
- Movable mounting bracket over the full length allows use of old drill holes
- Fast rewiring thanks to integrated through-wiring

## DAMP PROOF



PERFORMANCE CLASS

Page 134

DAMP PROOF

DAMP PROOF DALI

DAMP PROOF 5X THROUGHWIRING

DAMP PROOF EMERGENCY



### CLASSIC DAMP-PROOF LUMINAIRE WITH A VARIETY OF OPTIONS

- Wide range of applications (switchable, DALI, through-wired, battery for safety lighting)
- Flexible use through extensive mounting and suspension accessories (included)
- No risk of electrostatic discharge through integration of the LED module into the luminaire cover

## DAMP PROOF HOUSING



PERFORMANCE CLASS

Page 140



### THE IDEAL CHOICE FOR LAMP FANS

- Sustainable solution thanks to replaceable lamps
- Prewired for easy installation of tubular AC LED lamps
- Robust housing

## DAMP PROOF VALUE



VALUE CLASS

Page 144



### CLASSIC DESIGN WITH PROVEN FUNCTIONALITY

- Uniform distribution of light
- Energy savings of up to 50 % (compared with luminaires that use fluorescent lamps)
- Easy installation and tool-free connection

## DAMP PROOF SLIM VALUE



VALUE CLASS

Page 142



### LOW IN FORM AND PRICE

- Homogeneous quality of light with a wide beam angle
- Simple installation thanks to mounting clips that can be freely positioned on the luminaire
- Easy access to the terminal thanks to the snap-on mechanism on the end cap

# THE RIGHT DAMP-PROOF LUMINAIRE FOR EVERY OCCASION

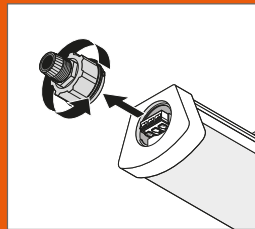
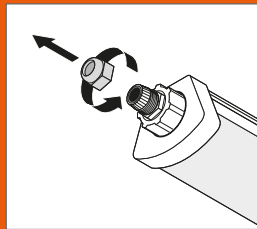
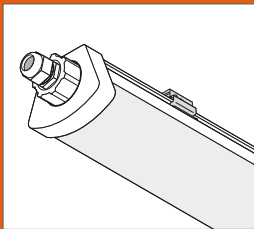
Discover now our broad portfolio which can be used for almost any standard application: In addition to classic versions, our range includes modern design luminaires – both in Performance Class and Value Class. There's also our Damp Proof Special with exceptional performance which is perfect for demanding environments.

## OUR LEDVANCE DAMP PROOFS ARE EASY TO MOUNT

Damp Proof Compact



### INSTALLATION IN NO TIME AT ALL USING THE DAMP PROOF COMPACT AS AN EXAMPLE



The end caps with their “Twist & Lock” mechanism allow for quick tool-free electrical connection.

### THROUGH-WIRING OF DAMP PROOFS AT A GLANCE

	Material	Application	Lifetime <sup>1</sup> Guarantee <sup>2</sup>	One-sided connection	3 x 1.5 mm <sup>2</sup> through-wiring preinstalled	5 x 2.5 mm <sup>2</sup> through-wiring preinstalled	DALI	Emergency lighting function
DP Special	PMMA		50,000 h L80 5 years		✓			
DP Compact	PC, stainless steel		50,000 h L70 5 years		✓			
DP Slim Value	PC, stainless steel		30,000 h L70 3 years	✓				
DP LED	PC, stainless steel		70,000 h L70 5 years	✓	Through-wiring possible <sup>3</sup>	32 W 4,000 K 46 W 4,000 K	✓	✓
DP VALUE	PC, stainless steel		50,000 h L70 3 years	✓	Through-wiring possible <sup>3</sup>	Through-wiring possible <sup>3</sup>		
DP Housing	PC, stainless steel		5 years	✓	Through-wiring possible <sup>3</sup>	Through-wiring possible <sup>3</sup>		

<sup>1</sup> t [h]: L70/B50 @ 25 °C (T<sub>a</sub>) / t [h]: L80/B10 @ 25 °C (T<sub>a</sub>) | <sup>2</sup> For precise terms and conditions go to [www.ledvance.com/guarantee](http://www.ledvance.com/guarantee)

<sup>3</sup> The product is technically equipped for through-wiring. Additional components may be required. Please refer to the operating instructions for accessories included.

## DAMP PROOF COMPACT IP66

Damp-proof luminaire, through-wired (L, N, E)



### PRODUCT FEATURES

- Polycarbonate housing with stainless steel mounting brackets and suspension and anti-theft kit
- Through-wiring cable 3x1.5mm<sup>2</sup> already installed
- Type of protection: IP66
- Ambient temperature in operation: -30...+50 °C
- High luminous efficacy: up to 120 lm/W

### PRODUCT BENEFITS

- Easy access to electrical terminal thanks end caps with twist and lock mechanism
- Movable mounting bracket over the full length allows use of old drill holes
- Fast rewiring thanks to integrated through-wiring
- Tool-free electrical connection due to push button connector
- 5 years guarantee

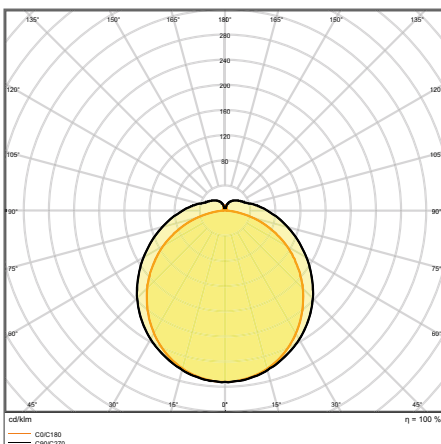
### AREAS OF APPLICATION

- Industrial and storage facilities
- Car parks and underpasses
- Garages
- Workshops, assembly lines

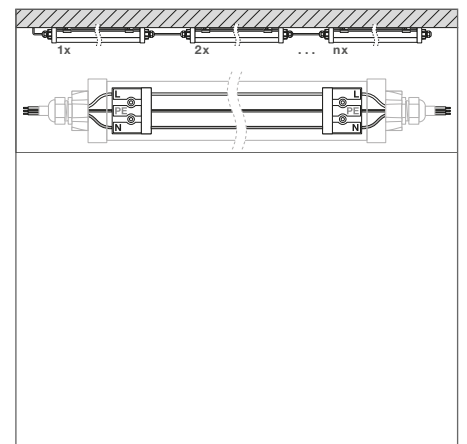
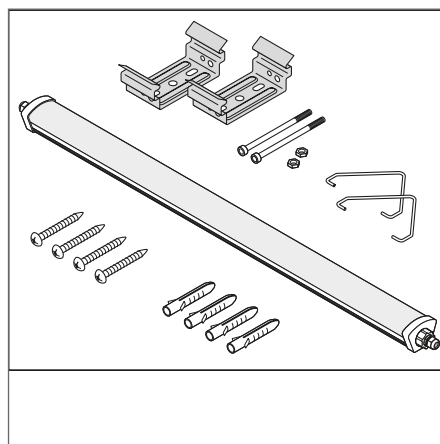
### EQUIPMENT / ACCESSORIES

- Stainless steel clamps with safety screws included
- Mounting accessories included (suspension kit, theft protection kit)

## FURTHER PRODUCT DETAILS



DP COMPACT 1500 55 W 4000K IP66 GR



<sup>1</sup> Refer to [www.ledvance.com/guarantee](http://www.ledvance.com/guarantee) for precise conditions

The pictures shown in the catalog are for illustration purposes only. For information on size and color, please refer to the product table.

Product name	Segmentation	GTIN (EAN)	RE-PLACE-MENT-FOR	W	lm	lm/W	K	L70 <sup>1</sup>	L80 <sup>1</sup>	°
DP COMPACT 1200 23W/3000K IP66 GR	■	4058075424227	1x36W FL	23	2600	115	3000	50000	35000	120
DP COMPACT 1200 23 W 4000K IP66 GR	■	4058075210028	1x36W FL	23	2800	120	4000	50000	35000	120
DP COMPACT 1200 44W/3000K IP66 GR	■	4058075424241	2x36W FL	44	5100	115	3000	50000	35000	120
DP COMPACT 1200 44 W 4000K IP66 GR	■	4058075210042	2x36W FL	44	5400	120	4000	50000	35000	120
DP COMPACT 1200 44 W 6500K IP66 GR	■	4058075210066	2x36W FL	44	5400	120	6500	50000	35000	120
DP COMPACT 1500 31W/3000K IP66 GR	■	4058075424265	1x58W FL	31	3500	115	3000	50000	35000	120
DP COMPACT 1500 31 W 4000K IP66 GR	■	4058075210080	1x58W FL	31	3800	120	4000	50000	35000	120
DP COMPACT 1500 55W/3000K IP66 GR	■	4058075424289	2x58W FL	55	6300	115	3000	50000	35000	120
DP COMPACT 1500 55 W 4000K IP66 GR	■	4058075210103	2x58W FL	55	6700	120	4000	50000	35000	120
DP COMPACT 1500 55 W 6500K IP66 GR	■	4058075210127	2x58W FL	55	6700	120	6500	50000	35000	120



Product name	CRI	IK	g	L x W x H [mm] Ø x H [mm]
DP COMPACT 1200 23W/3000K IP66 GR	>80	IK08	1120	1290x86x68
DP COMPACT 1200 23 W 4000K IP66 GR	>80	IK08	1120	1290x86x68
DP COMPACT 1200 44W/3000K IP66 GR	>80	IK08	1160	1290x86x68
DP COMPACT 1200 44 W 4000K IP66 GR	>80	IK08	1160	1290x86x68
DP COMPACT 1200 44 W 6500K IP66 GR	>80	IK08	1160	1290x86x68
DP COMPACT 1500 31W/3000K IP66 GR	>80	IK08	1350	1590x86x68
DP COMPACT 1500 31 W 4000K IP66 GR	>80	IK08	1350	1590x86x68
DP COMPACT 1500 55W/3000K IP66 GR	>80	IK08	1380	1590x86x68
DP COMPACT 1500 55 W 4000K IP66 GR	>80	IK08	1380	1590x86x68
DP COMPACT 1500 55 W 6500K IP66 GR	>80	IK08	1380	1590x86x68

<sup>1</sup> t [h]: L70/B50 @ 25 °C (Ta) / t [h]: L80/B10 @ 25 °C (Ta)

## DAMP PROOF GEN 2

Damp-proof luminaires



### PRODUCT FEATURES

- Polycarbonate housing with stainless steel mounting brackets and suspension and anti-theft kit
- Available as switchable, 5 x 2.5 sqmm through-wired, DALI and emergency 3h battery
- Type of protection: IP65
- Ambient temperature range during operation: -25° C to +40° C
- High luminous efficacy: up to 135 lm/W

### PRODUCT BENEFITS

- Wide range of applications (switchable, DALI, through-wired, battery for safety lighting)
- Flexible use through extensive mounting and suspension accessories (included)
- D-marking for mounting on surfaces with limited surface temperature
- Energy savings of up to 60 % (compared to luminaires that use fluorescent lamps)
- All versions with 5-year guarantee, except emergency version: 3 years (built-in 3h battery)

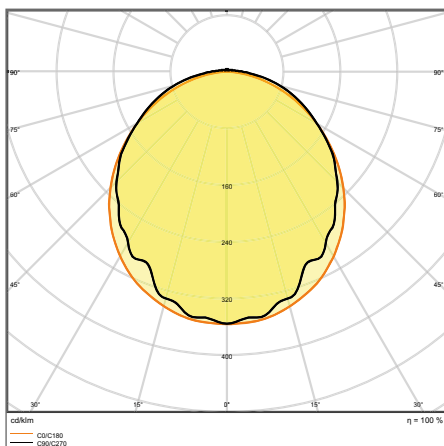
### AREAS OF APPLICATION

- Industrial and storage facilities
- Car parks and underpasses
- Garages
- Workshops, assembly lines

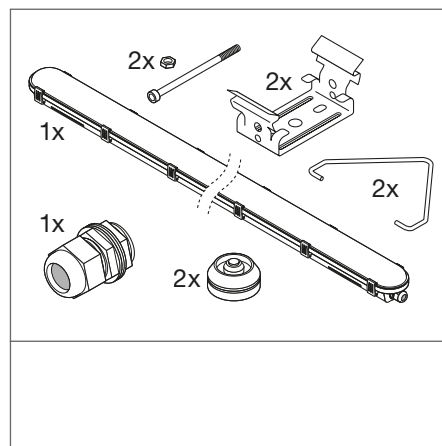
### EQUIPMENT / ACCESSORIES

- Stainless steel clamps with safety screws included
- Mounting accessories included (suspension kit, theft protection kit)

## FURTHER PRODUCT DETAILS



DP 1200 18 W 4000 K IP65 GY



<sup>1</sup> The Damp Proof luminaires are certified as follows: On /Off, DALI and through-wiring versions: TÜV Süd and ENEC, Emergency versions: CE.

<sup>2</sup> 5 years of guarantee apply to all product types with the exception of the emergency version (3-year guarantee).

The pictures shown in the catalog are for illustration purposes only. For information on size and color, please refer to the product table.

DAMP PROOF ON/OFF + DALI

Damp-proof luminaires, classic shape

Product name	Segmentation	GTIN (EAN)	REPLACEMENT FOR	W	lm	lm/W	K	L70 <sup>1</sup>	L80 <sup>1</sup>	°	⌚
DP 1200 18W 840 IP65 GY	■	4058075541047	1 × 36W FL	18	2400	135	4000	70 000	50 000	110	—
DP 1200 18W 865 IP65 GY	■	4058075541061	1 × 36W FL	18	2400	135	6500	70 000	50 000	110	—
DP 1200 32W 830 IP65 GY	■	4058075541085	2 × 36W FL	32	4000	125	3000	70 000	50 000	110	—
DP 1200 32W 840 IP65 GY	■	4058075541108	2 × 36W FL	32	4400	135	4000	70 000	50 000	110	—
DP 1200 32W 865 IP65 GY	■	4058075541122	2 × 36W FL	32	4400	135	6500	70 000	50 000	110	—
DP 1500 26W 840 IP65 GY	■	4058075541146	1 × 58W FL	26	3500	135	4000	70 000	50 000	110	—
DP 1500 26W 865 IP65 GY	■	4058075541160	1 × 58W FL	26	3500	115	6500	70 000	50 000	110	—
DP 1500 46W 830 IP65 GY	■	4058075541184	2 × 58W FL	46	5750	125	3000	70 000	50 000	110	—
DP 1500 46W 840 IP65 GY	■	4058075541207	2 × 58W FL	46	6400	135	4000	70 000	50 000	110	—
DP 1500 46W 865 IP65 GY	■	4058075541221	2 × 58W FL	46	6400	135	6500	70 000	50 000	110	—
DP 1500 58W 840 IP65 GY	■	4058075541245	2 × 70W FL	58	8000	135	4000	70 000	50 000	110	—
DP 1500 58W 865 IP65 GY	■	4058075541269	2 × 70W FL	58	8000	135	6500	70 000	50 000	110	—
DP 1500 81W 840 IP65 GY	■	4058075541283	2 × 80W FL	81	11000	135	4000	70 000	50 000	110	—
DP 1500 81W 865 IP65 GY	■	4058075541306	2 × 80W FL	81	11000	135	6500	70 000	50 000	110	—
DP DALI 1200 18W 840 IP65 GY	■	4058075541641	1 × 36W FL	18	2400	135	4000	70 000	50 000	110	DALI
DP DALI 1200 18W 865 IP65 GY	■	4058075541665	1 × 36W FL	18	2400	135	6500	70 000	50 000	110	DALI
DP DALI 1200 32W 830 IP65 GY	■	4058075541689	2 × 36W FL	32	4000	125	3000	70 000	50 000	110	DALI
DP DALI 1200 32W 840 IP65 GY	■	4058075541702	2 × 36W FL	32	4400	135	4000	70 000	50 000	110	DALI
DP DALI 1200 32W 865 IP65 GY	■	4058075541726	1 × 36W FL	32	4000	125	6500	70 000	50 000	110	DALI
DP DALI 1500 26W 840 IP65 GY	■	4058075541740	1 × 58W FL	26	3500	135	4000	70 000	50 000	110	DALI
DP DALI 1500 26W 865 IP65 GY	■	4058075541764	1 × 58W FL	26	3500	135	6500	70 000	50 000	110	DALI
DP DALI 1500 46W 830 IP65 GY	■	4058075541788	2 × 58W FL	46	5750	125	3000	70 000	50 000	110	DALI
DP DALI 1500 46W 840 IP65 GY	■	4058075541801	2 × 58W FL	46	6400	135	4000	70 000	50 000	110	DALI
DP DALI 1500 46W 865 IP65 GY	■	4058075541825	2 × 58W FL	46	6400	135	6500	70 000	50 000	110	DALI
DP DALI 1500 58W 840 IP65 GY	■	4058075541849	2 × 70W FL	58	8000	135	4000	70 000	50 000	110	DALI
DP DALI 1500 58W 865 IP65 GY	■	4058075541863	2 × 70W FL	58	8000	135	6500	70 000	50 000	110	DALI



Product name	CRI	FLICKER VALUE	IK	IK	L × W × H [mm] Ø × H [mm]
DP 120 0 18W 840 IP65 GY	>80	<10%	IK08	1293	1200 × 82 × 68
DP 1200 18W 865 IP65 GY	>80	<10%	IK08	1293	1200 × 82 × 68
DP 1200 32W 830 IP65 GY	>80	<10%	IK08	1373	1200 × 82 × 68
DP 1200 32W 840 IP65 GY	>80	<10%	IK08	1373	1200 × 82 × 68
DP 1200 32W 865 IP65 GY	>80	<10%	IK08	1373	1200 × 82 × 68
DP 1500 26W 840 IP65 GY	>80	<10%	IK08	1578	1500 × 82 × 68
DP 1500 26W 865 IP65 GY	>80	<10%	IK08	1578	1500 × 82 × 68
DP 1500 46W 830 IP65 GY	>80	<10%	IK08	1690	1500 × 82 × 68
DP 1500 46W 840 IP65 GY	>80	<10%	IK08	1690	1500 × 82 × 68
DP 1500 46W 865 IP65 GY	>80	<10%	IK08	1690	1500 × 82 × 68
DP 1500 58W 840 IP65 GY	>80	<10%	IK08	1694	1500 × 82 × 68
DP 1500 58W 865 IP65 GY	>80	<10%	IK08	1694	1500 × 82 × 68
DP 1500 81W 840 IP65 GY	>80	<10%	IK08	1672	1500 × 82 × 68
DP 1500 81W 865 IP65 GY	>80	<10%	IK08	1672	1500 × 82 × 68
DP DALI 1200 18W 840 IP65 GY	>80	<3%	IK08	1430	1200 × 82 × 68
DP DALI 1200 18W 865 IP65 GY	>80	<3%	IK08	1430	1200 × 82 × 68
DP DALI 1200 32W 830 IP65 GY	>80	<3%	IK08	1430	1200 × 82 × 68
DP DALI 1200 32W 840 IP65 GY	>80	<3%	IK08	1430	1200 × 82 × 68
DP DALI 1200 32W 865 IP65 GY	>80	<3%	IK08	1430	1500 × 82 × 68
DP DALI 1500 26W 840 IP65 GY	>80	<3%	IK08	1740	1500 × 82 × 68
DP DALI 1500 26W 865 IP65 GY	>80	<3%	IK08	1740	1500 × 82 × 68
DP DALI 1500 46W 830 IP65 GY	>80	<3%	IK08	1740	1500 × 82 × 68
DP DALI 1500 46W 840 IP65 GY	>80	<3%	IK08	1740	1500 × 82 × 68
DP DALI 1500 46W 865 IP65 GY	>80	<3%	IK08	1740	1500 × 82 × 68
DP DALI 1500 58W 840 IP65 GY	>80	<3%	IK08	1740	1500 × 82 × 68
DP DALI 1500 58W 865 IP65 GY	>80	<3%	IK08	1740	1500 × 82 × 68

<sup>1</sup> t [h]: L70/B50 @ 25 °C (Ta) / t [h]: L80/B10 @ 25 °C (Ta)

### DAMP PROOF 5x THROUGHWIRING

Damp-proof luminaires, classic shape with 5 × 2.5 mm<sup>2</sup> throughwiring

Product name	Segmentation	GTIN (EAN)	RE-PLACEMENT FOR	W	lm	lm/W	K	L70 <sup>1</sup>	L80 <sup>1</sup>	°
DP 5TH 1200 32W 840 IP65 GY	■	4058075541924	2 × 36W FL	32	4400	135	4000	70000	50000	110
DP 5TH 1500 46W 840 IP65 GY	■	4058075541948	2 × 58W FL	46	6400	135	4000	70000	50000	110



Product name	CRI	FLICKER VALUE	IK	Person icon	L × W × H [mm] Ø × H [mm]
DP 1200 18W 840 IP65 GY	>80	<10%	IK08	1613	1200 × 82 × 68
DP 1200 18W 865 IP65 GY	>80	<10%	IK08	1930	1500 × 82 × 68

### DAMP PROOF EMERGENCY

Damp-proof luminaires, classic shape with integrated emergency lighting function

Product name	Segmentation	GTIN (EAN)	RE-PLACEMENT FOR	W	lm	lm/W	K	L70 <sup>1</sup>	L80 <sup>1</sup>	°
DP EM 1200 18W 840 IP65 GY	■	4058075541320	1 × 36W FL	18	2400	135	4000	70000	50000	110
DP EM 1200 18W 865 IP65 GY	■	4058075541344	1 × 36W FL	18	2400	135	6500	70000	50000	110
DP EM 1200 32W 830 IP65 GY	■	4058075541368	2 × 36W FL	32	4000	125	3000	70000	50000	110
DP EM 1200 32W 840 IP65 GY	■	4058075541382	2 × 36W FL	32	4400	135	4000	70000	50000	110
DP EM 1200 32W 865 IP65 GY	■	4058075541405	2 × 36W FL	32	4400	125	6500	70000	50000	110
DP EM 1500 26W 840 IP65 GY	■	4058075541429	1 × 58W FL	26	3500	150	4000	70000	50000	110
DP EM 1500 26W 865 IP65 GY	■	4058075541443	1 × 58W FL	26	3500	135	6500	70000	50000	110
DP EM 1500 46W 830 IP65 GY	■	4058075541467	2 × 58W FL	46	5750	125	3000	70000	50000	110
DP EM 1500 46W 840 IP65 GY	■	4058075541481	2 × 58W FL	46	6400	135	4000	70000	50000	110
DP EM 1500 46W 865 IP65 GY	■	4058075541504	2 × 58W FL	46	6400	135	6500	70000	50000	110
DP EM 1500 58W 840 IP65 GY	■	4058075541528	2 × 70W FL	58	8000	135	4000	70000	50000	110
DP EM 1500 58W 865 IP65 GY	■	4058075541542	2 × 70W FL	58	8000	135	6500	70000	50000	110
DP EM 1500 81W 840 IP65 GY	■	4058075541566	2 × 80W FL	81	11000	135	4000	70000	50000	110
DP EM 1500 81W 865 IP65 GY	■	4058075541580	2 × 80W FL	81	11000	135	6500	70000	50000	110



Product name	CRI	FLICKER VALUE	IK	Person icon	L × W × H [mm] Ø × H [mm]
DP EM 1200 18W 840 IP65 GY	>80	<10%	IK08	1600	1200 × 82 × 68
DP EM 1200 18W 865 IP65 GY	>80	<10%	IK08	1600	1200 × 82 × 68
DP EM 1200 32W 830 IP65 GY	>80	<10%	IK08	1600	1200 × 82 × 68
DP EM 1200 32W 840 IP65 GY	>80	<10%	IK08	1600	1200 × 82 × 68
DP EM 1200 32W 865 IP65 GY	>80	<10%	IK08	1600	1200 × 82 × 68
DP EM 1500 26W 840 IP65 GY	>80	<10%	IK08	2100	1500 × 82 × 68
DP EM 1500 26W 865 IP65 GY	>80	<10%	IK08	2100	1500 × 82 × 68
DP EM 1500 46W 830 IP65 GY	>80	<10%	IK08	2100	1500 × 82 × 68
DP EM 1500 46W 840 IP65 GY	>80	<10%	IK08	2100	1500 × 82 × 68
DP EM 1500 46W 865 IP65 GY	>80	<10%	IK08	2100	1500 × 82 × 68
DP EM 1500 58W 840 IP65 GY	>80	<10%	IK08	2100	1500 × 82 × 68
DP EM 1500 58W 865 IP65 GY	>80	<10%	IK08	2100	1500 × 82 × 68
DP EM 1500 81W 840 IP65 GY	>80	<10%	IK08	2100	1500 × 82 × 68
DP EM 1500 81W 865 IP65 GY	>80	<10%	IK08	2100	1500 × 82 × 68

<sup>1</sup>t[h]: L70/B50 @ 25 °C (Ta) / t[h]: L80/B10 @ 25 °C (Ta)



## EMERGENCY LIGHTING PROPERTIES

Product name	Battery life in emergency operation mode	Type of emergency operation test	Type of emergency light operation	Luminous flux in emergency operation mode	Type of Battery
DP EM 1200 18W 840 IP65 GY	3h	Automatic	Maintained/Non-maintained	500 lm	LiFeP04
DP EM 1200 18W 865 IP65 GY	3h	Automatic	Maintained/Non-maintained	500 lm	LiFeP04
DP EM 1200 32W 830 IP65 GY	3h	Automatic	Maintained/Non-maintained	500 lm	LiFeP04
DP EM 1200 32W 840 IP65 GY	3h	Automatic	Maintained/Non-maintained	500 lm	LiFeP04
DP EM 1200 32W 865 IP65 GY	3h	Automatic	Maintained/Non-maintained	500 lm	LiFeP04
DP EM 1500 26W 840 IP65 GY	3h	Automatic	Maintained/Non-maintained	500 lm	LiFeP04
DP EM 1500 26W 865 IP65 GY	3h	Automatic	Maintained/Non-maintained	500 lm	LiFeP04
DP EM 1500 46W 830 IP65 GY	3h	Automatic	Maintained/Non-maintained	500 lm	LiFeP04
DP EM 1500 46W 840 IP65 GY	3h	Automatic	Maintained/Non-maintained	500 lm	LiFeP04
DP EM 1500 46W 865 IP65 GY	3h	Automatic	Maintained/Non-maintained	500 lm	LiFeP04
DP EM 1500 58W 840 IP65 GY	3h	Automatic	Maintained/Non-maintained	500 lm	LiFeP04
DP EM 1500 58W 865 IP65 GY	3h	Automatic	Maintained/Non-maintained	500 lm	LiFeP04
DP EM 1500 81W 840 IP65 GY	3h	Automatic	Maintained/Non-maintained	500 lm	LiFeP04
DP EM 1500 81W 865 IP65 GY	3h	Automatic	Maintained/Non-maintained	500 lm	LiFeP04

## DAMP PROOF SPECIAL GEN 2

Tubular damp-proof luminaire with extra high IP rating, ammonium-resistant and for outdoor applications



### PRODUCT FEATURES

- Sealed housing made of PMMA
- Ammonium resistant
- Type of protection: IP67 (DIN EN 60529), IP69K (ISO 20653:2013)
- Through-wiring cable already installed in the luminaire

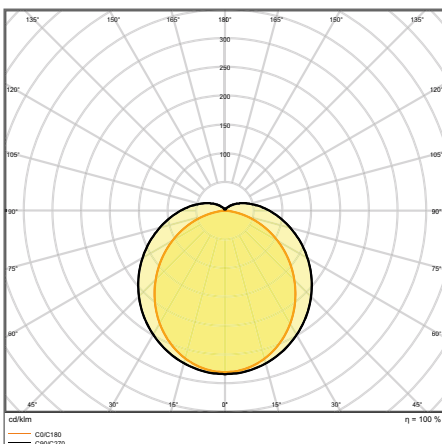
### PRODUCT BENEFITS

- Completely sealed for use in agricultural applications
- Also usable in uncovered outdoor areas
- Via the rotatable mounting the luminaire can be fixed in any position for optimal light steering
- Easy installation as mounting brackets can be positioned freely on the luminaire
- 5 years guarantee

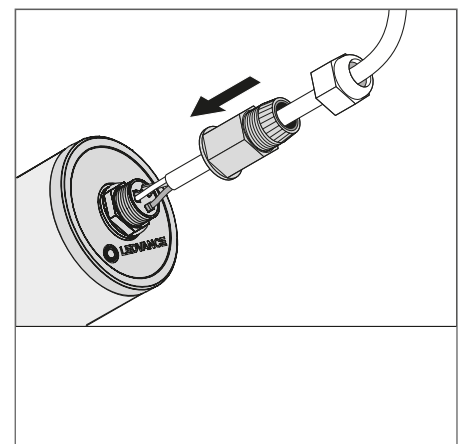
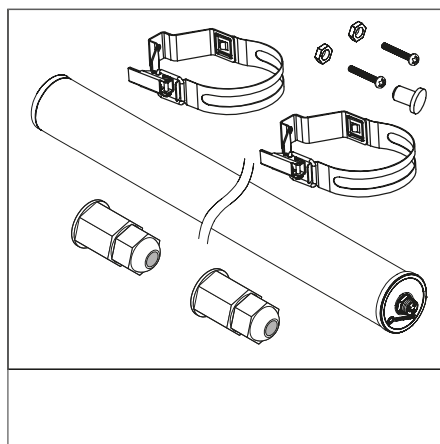
### AREAS OF APPLICATION

- Keeping farm animals except poultry
- Food industry
- Open car parks and underpasses
- Garages
- Workshops, assembly lines

## FURTHER PRODUCT DETAILS



DP SPECIAL 1500 50 W 4000 K WT IP67



<sup>1</sup> Refer to [www.ledvance.com/guarantee](http://www.ledvance.com/guarantee) for precise conditions

The pictures shown in the catalog are for illustration purposes only. For information on size and color, please refer to the product table.

Product name	Segmentation	GTIN (EAN)	RE-PLACEMENT FOR	W	lm	lm/W	K	L70 <sup>1</sup>	L80 <sup>1</sup>	△
DP SPECIAL 1200 22 W 4000 K WT IP67	■	4058075452114	2x58W FL	22	2800	130	4000	80000	50000	120
DP SPECIAL 1200 42 W 4000 K WT IP67	■	4058075452152	2x58W FL	42	5500	130	4000	80000	50000	120
DP SPECIAL 1500 30 W 4000 K WT IP67	■	4058075452138	2x58W FL	30	3900	130	4000	80000	50000	120
DP SPECIAL 1500 50 W 4000 K WT IP67	■	4058075452176	2x58W FL	50	6500	130	4000	80000	50000	120



Product name	CRI	FLICKER VALUE	IK	9	L x W x H [mm] Ø x H [mm]
DP SPECIAL 1200 22 W 4000 K WT IP67	≥80	≤5 %	IK06	1130	1200 x 82
DP SPECIAL 1200 42 W 4000 K WT IP67	≥80	≤5 %	IK06	1130	1200 x 82
DP SPECIAL 1500 30 W 4000 K WT IP67	≥80	≤5 %	IK06	1420	1500 x 82
DP SPECIAL 1500 50 W 4000 K WT IP67	≥80	≤5 %	IK06	1460	1500 x 82

<sup>1</sup> t [h]: L70/B50 @ 25 °C (Ta) / t [h]: L80/B10 @ 25 °C (Ta)

## DAMP PROOF HOUSING

Damp-proof luminaire for T8 LED lamps



### PRODUCT FEATURES

- Housing made of robust polycarbonate (PC), gray
- Suitable for SubstiTUBE EM/UN and SubstiTUBE Connected
- Luminaire housing, available for 1 or 2 T8 LED lamps
- Type of protection: IP65
- Impact resistance: IK08

### PRODUCT BENEFITS

- Sustainable solution thanks to exchangeable lamps
- Prewired for easy installation of tubular AC LED lamps
- Robust housing
- Easy and quick installation
- 5 years guarantee

### EQUIPMENT / ACCESSORIES

- All required accessories included

Product name	Segmentation	GTIN (EAN)				L x W x H [mm] Ø x H [mm]
DP HOUSING 600 1x Lamp IP65	■	4058075312395	105	IK08	600	651 x 64 x 75
DP HOUSING 600 2x Lamp IP65	■	4058075312418	105	IK08	850	651 x 103 x 75
DP HOUSING 1200 1x Lamp IP65	■	4058075312432	105	IK08	1000	1261 x 64 x 75
DP HOUSING 1200 2x Lamp IP65	■	4058075312456	105	IK08	1300	1261 x 103 x 75
DP HOUSING 1500 1x Lamp IP65	■	4058075312470	105	IK08	1300	1561 x 64 x 75
DP HOUSING 1500 2x Lamp IP65	■	4058075312494	105	IK08	1850	1561 x 103 x 75

<sup>1</sup> Refer to [www.ledvance.com/guarantee](http://www.ledvance.com/guarantee) for precise conditions

The pictures shown in the catalog are for illustration purposes only. For information on size and color, please refer to the product table.



## DAMP PROOF SLIM VALUE

Damp-proof luminaire with slim housing



### PRODUCT FEATURES

- Polycarbonate housing with stainless steel mounting brackets and suspension and anti-theft kit
- Type of protection: IP65
- Wide beam angle: 120°
- High luminous efficacy: up to 110 lm/W

### PRODUCT BENEFITS

- Homogeneous quality of light with a wide beam angle
- Easy installation as mounting brackets can be positioned freely on the luminaire
- Easy access to electrical terminal thanks end caps with clip mechanism
- Elegant, slim design
- Tool-free electrical connection due to push button connector

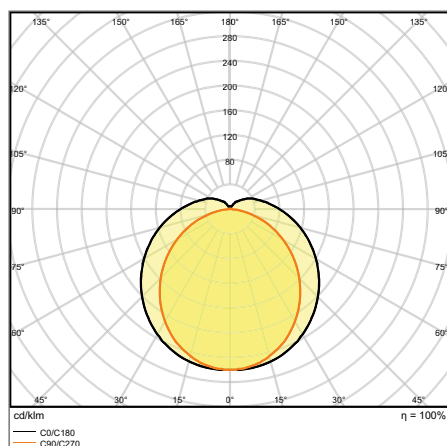
### AREAS OF APPLICATION

- Industrial and storage facilities
- Car parks and underpasses
- Garages
- Workshops, assembly lines

### EQUIPMENT / ACCESSORIES

- Stainless steel clamps with safety screws included
- Mounting accessories included (suspension kit, theft protection kit)

## FURTHER PRODUCT DETAILS



DP SLIM VALUE 1500 50 W 4000 K IP65 GY

<sup>1</sup> Refer to [www.ledvance.com/guarantee](http://www.ledvance.com/guarantee) for precise conditions

The pictures shown in the catalog are for illustration purposes only. For information on size and color, please refer to the product table.

Product name	Segmentation	GTIN (EAN)	RE-PLACEMENT FOR	W	lm	lm/W	K	L70 <sup>1</sup>	L80 <sup>1</sup>	°
DP SLIM VALUE 1200 36 W 4000 K IP65 GY	■	4058075066458	2x36W FL	36	4000	110	4000	30000	27000	120
DP SLIM VALUE 1200 36 W 6500 K IP65 GY	■	4058075066472	2x36W FL	36	4000	110	6500	30000	27000	120
DP SLIM VALUE 1500 50 W 4000 K IP65 GY	■	4058075066496	2x58W FL	50	5500	110	4000	30000	27000	120
DP SLIM VALUE 1500 50 W 6500 K IP65 GY	■	4058075066519	2x58W FL	50	5500	110	6500	30000	27000	120



Product name	CRI	IK	L x W x H [mm] Ø x H [mm]
DP SLIM VALUE 1200 36 W 4000 K IP65 GY	>80	IK08	1200 x 35 x 48
DP SLIM VALUE 1200 36 W 6500 K IP65 GY	>80	IK08	1200 x 35 x 48
DP SLIM VALUE 1500 50 W 4000 K IP65 GY	>80	IK08	1500 x 35 x 48
DP SLIM VALUE 1500 50 W 6500 K IP65 GY	>80	IK08	1500 x 35 x 48

<sup>1</sup> t [h]: L70/B50 @ 25 °C (Ta) / t [h]: L80/B10 @ 25 °C (Ta)

## DAMP PROOF VALUE

Damp-proof luminaires, classic shape



### PRODUCT FEATURES

- High luminous efficacy: up to 120 lm/W
- Type of protection: IP65
- Beam angle: 115°
- Through wiring possible
- Polycarbonate housing

### PRODUCT BENEFITS

- Evenly distributed light
- Energy savings of up to 50 % (compared to luminaires that use fluorescent lamps)
- Easy installation, no tools required for connection
- 3 years guarantee

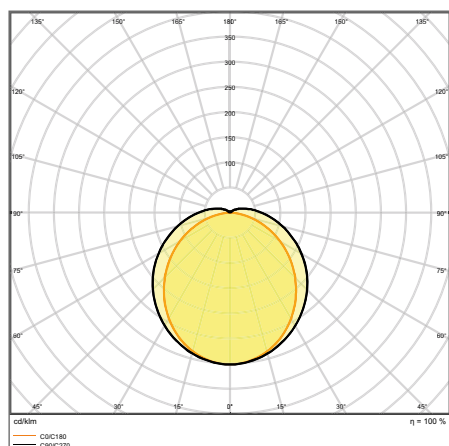
### AREAS OF APPLICATION

- Industrial and storage facilities
- Car parks and underpasses
- Garages
- Workshops, assembly lines

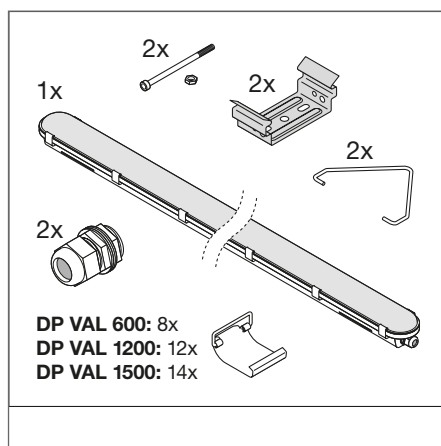
### EQUIPMENT / ACCESSORIES

- Stainless steel clamps with safety screws included
- Mounting accessories included (suspension kit, theft protection kit)

## FURTHER PRODUCT DETAILS



DP VAL 1800 70 W 4000 K IP65



<sup>1</sup> Refer to [www.ledvance.com/guarantee](http://www.ledvance.com/guarantee) for precise conditions

The pictures shown in the catalog are for illustration purposes only. For information on size and color, please refer to the product table.



Product name	Segmentation	GTIN (EAN)	RE-PLACEMENT FOR	W	lm	lm/W	K	L70 <sup>1</sup>	°
DP VAL 600 9 W 4000 K IP65	■	4058075300705	1x18W FL	9	1080	120	4000	50000	115
DP VAL 600 18 W 4000 K IP65	■	4058075300743	2x18W FL	18	2160	120	4000	50000	115
DP VAL 1200 20 W 4000 K IP65	■	4058075300781	1x36W FL	20	2400	120	4000	50000	115
DP VAL 1200 40 W 4000 K IP65	■	4058075300828	2x36W FL	40	4800	120	4000	50000	115
DP VAL 1500 25 W 4000 K IP65	■	4058075300866	1x58W FL	25	3000	120	4000	50000	115
DP VAL 1500 50 W 4000 K IP65	■	4058075300903	2x58W FL	50	6000	120	4000	50000	115
DP VAL 1800 34 W 4000 K IP65	■	4058075300941	1x70W FL	34	3700	110	4000	30000	115
DP VAL 1800 70 W 4000 K IP65	■	4058075300989	2x70W FL	70	7500	105	4000	30000	115



Product name	CRI	IK	9	L x W x H [mm] Ø x H [mm]
DP VAL 600 9 W 4000 K IP65	>80	IK08	635	600x77x66
DP VAL 600 18 W 4000 K IP65	>80	IK08	655	600x77x66
DP VAL 1200 20 W 4000 K IP65	>80	IK08	1485	1200x77x66
DP VAL 1200 40 W 4000 K IP65	>80	IK08	1485	1200x77x66
DP VAL 1500 25 W 4000 K IP65	>80	IK08	2000	1500x77x66
DP VAL 1500 50 W 4000 K IP65	>80	IK08	2000	1500x77x66
DP VAL 1800 34 W 4000 K IP65	>80	IK08	2230	1800x96x83
DP VAL 1800 70 W 4000 K IP65	>80	IK08	2230	1800x96x83

<sup>1</sup> t [h]: L70/B50 @ 25 °C (Ta) / t [h]: L80/B10 @ 25 °C (Ta)

# HIGH-BAY LUMINAIRES

## HIGH EFFICIENCY AND OPTIMUM QUALITY OF LIGHT

### HIGH BAY



Page 148  
HIGH BAY  
HIGH BAY DALI



PERFOR-  
MANCE  
CLASS

#### FOR HIGH LIGHTING DEMANDS

- High luminous efficacy
- Different versions for ceiling heights from 6 m to 14 m
- Low-flicker light thanks to special electronic control gear

### HIGH BAY ACCESSORIES



Page 150  
HIGH BAY BRACKET  
HIGH BAY REFLECTOR  
HIGH BAY REFRACTOR



#### ACCESSORIES FOR OPTIMUM QUALITY OF LIGHT

- High-quality aluminum reflector or polycarbonate refractor for tool-free mounting with a 65°/90° beam angle
- Sturdy steel bracket; can be swiveled by +/- 90°

### HIGH BAY VALUE



Page 152  
HIGH BAY VALUE



VALUE  
CLASS

#### GOOD LIGHTING FOR EVERYDAY APPLICATIONS

- Very homogeneous light distribution thanks to diffuse cover made of tempered glass
- Optimized weight and size
- Modern and exclusive LEDVANCE design

### HIGH BAY VALUE ACCESSORIES



Page 154  
HIGH BAY VALUE REFLECTOR  
HIGH BAY VALUE BRACKET



#### ACCESSORIES FOR OPTIMUM QUALITY OF LIGHT

- High-quality aluminum reflector for mounting with a 80° beam angle
- Sturdy steel bracket, can be swiveled by +/- 60°



# HIGH BAY GEN 3

High-bay luminaires up to 140 lm/W and attractive UGR



## PRODUCT FEATURES

- Robust aluminum housing with 1.5 m connection cable 3 x 1,5 sqmm, high-quality PC cover
- Ambient temperature in operation: -30...+50 °C
- High luminous efficacy: up to 140 lm/W
- Includes mounting hook for suspended installation. Surface-mounting possible via separate bracket.
- Type of protection: IP65

## PRODUCT BENEFITS

- High luminous efficacy
- Usable from 6 m to 14 m ceiling height
- Low flicker light thanks to special electronic control gear
- D-marking for mounting on surfaces with limited surface temperature
- 5 years guarantee

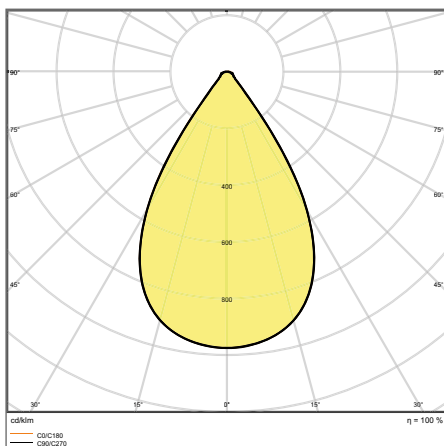
## AREAS OF APPLICATION

- Replacement for high bay luminaires with mercury vapor or metal halide lamps
- Warehouses
- Logistics halls
- Industry
- High ceiling (e.g. in shopping malls, airports, commercial buildings, lobbies)

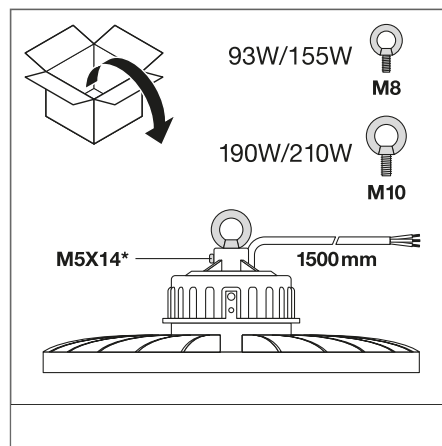
## EQUIPMENT / ACCESSORIES

- Mounting hook included
- Mounting brackets, reflectors and refractors available\* as separate accessory

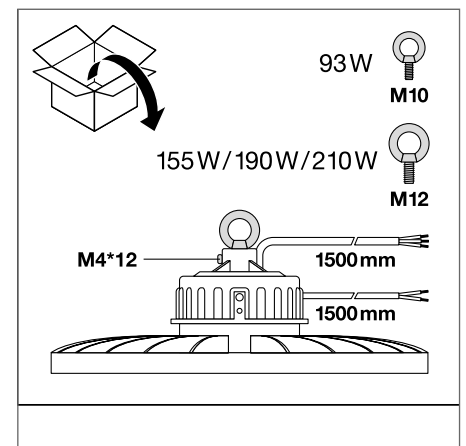
## FURTHER PRODUCT DETAILS



HB 210 W 4000 K 70DEG IP65



On/Off versions



DALI versions

\* Please note: available = available as an optional accessory. All DALI versions include mounting brackets.

<sup>1</sup> Refer to [www.ledvance.com/guarantee](http://www.ledvance.com/guarantee) for precise conditions

The pictures shown in the catalog are for illustration purposes only. For information on size and color, please refer to the product table.

## HIGH BAY GEN 3

High-bay luminaires up to 140 lm/W and attractive UGR

Product name	Segmentation	GTIN (EAN)	W	lm	lm/W	K	L70 <sup>1</sup>	L80 <sup>1</sup>	△
HB 93 W 4000 K 70DEG IP65	■	4058075452374	93	13000	140	4000	80000	50000	70
HB 93 W 4000 K 110DEG IP65	■	4058075452367	93	13000	140	4000	80000	50000	110
HB 93 W 6500 K 70DEG IP65	■	4058075452541	93	13000	140	6500	80000	50000	70
HB 93 W 6500 K 110DEG IP65	■	4058075452510	93	13000	140	6500	80000	50000	110
HB 155 W 4000 K 70DEG IP65	■	4058075452411	155	22000	140	4000	80000	50000	70
HB 155 W 4000 K 110DEG IP65	■	4058075452381	155	22000	140	4000	80000	50000	110
HB 155 W 6500 K 110DEG IP65	■	4058075452572	155	22000	140	6500	80000	50000	110
HB 190 W 4000 K 70DEG IP65	■	4058075452459	190	27000	140	4000	80000	50000	70
HB 190 W 4000 K 110DEG IP65	■	4058075452428	190	27000	140	4000	80000	50000	110
HB 190 W 6500 K 70DEG IP65	■	4058075452589	190	27000	140	6500	80000	50000	70
HB 210 W 4000 K 70DEG IP65	■	4058075452466	210	30000	140	4000	80000	50000	70
HB 210 W 6500 K 70DEG IP65	■	4058075452596	210	30000	140	6500	80000	50000	70

Product name	CRI	UGR	FLICKER VALUE	IK	ⓘ	CABLE LENGTH (mm)	L x W x H [mm] ∅ x H [mm]
HB 93 W 4000 K 70DEG IP65	≥80	<25	<5 %	IK08	1800	1500	280 x 143
HB 93 W 4000 K 110DEG IP65	≥80	<29	<5 %	IK08	1800	1500	280 x 143
HB 93 W 6500 K 70DEG IP65	≥80	<25	<5 %	IK08	1800	1500	280 x 143
HB 93 W 6500 K 110DEG IP65	≥80	<29	<5 %	IK08	1800	1500	280 x 143
HB 155 W 4000 K 70DEG IP65	≥80	<25	<5 %	IK08	2300	1500	321 x 140
HB 155 W 4000 K 110DEG IP65	≥80	<29	<5 %	IK08	2300	1500	321 x 140
HB 155 W 6500 K 110DEG IP65	≥80	<29	<5 %	IK08	2650	1500	321 x 140
HB 190 W 4000 K 70DEG IP65	≥80	<25	<5 %	IK08	2650	1500	321 x 164
HB 190 W 4000 K 110DEG IP65	≥80	<29	<5 %	IK08	2650	1500	321 x 164
HB 190 W 6500 K 70DEG IP65	≥80	<25	<5 %	IK08	2650	1500	321 x 164
HB 210 W 4000 K 70DEG IP65	≥80	<25	<5 %	IK08	2650	1500	321 x 164
HB 210 W 6500 K 70DEG IP65	≥80	<25	<5 %	IK08	2650	1500	321 x 164

## HIGH BAY GEN 3 DALI

LED high-bay luminaires with DALI interface

Product name	Segmentation	GTIN (EAN)	W	lm	lm/W	K	L70 <sup>1</sup>	L80 <sup>1</sup>	△	⌂
HB DALI 93 W-4000 K 70DEG IP65	■	4058075543911	93	13000	140	4000	80000	50000	70	DALI
HB DALI 93 W-4000 K 110DEG IP65	■	4058075543904	93	13000	141	4000	80000	50000	110	DALI
HB DALI 155 W-4000 K 70DEG IP65	■	4058075543935	155	22000	142	4000	80000	50000	70	DALI
HB DALI 155 W-4000 K 110DEG IP65	■	4058075543928	155	22000	143	4000	80000	50000	110	DALI
HB DALI 190 W-4000 K 70DEG IP65	■	4058075543959	190	27000	144	4000	80000	50000	70	DALI
HB DALI 190 W-4000 K 110DEG IP65	■	4058075543942	190	27000	145	4000	80000	50000	110	DALI
HB DALI 210 W-4000 K 70DEG IP65	■	4058075543966	210	30000	146	4000	80000	50000	70	DALI

Product name	CRI	UGR	FLICKER VALUE	IK	ⓘ	L x W x H [mm] ∅ x H [mm]
HB DALI 93 W-4000 K 70DEG IP65	≥80	<25	<5 %	IK08	2818	280 x 160
HB DALI 93 W-4000 K 110DEG IP65	≥80	<25	<5 %	IK08	2818	280 x 160
HB DALI 155 W-4000 K 70DEG IP65	≥80	<25	<5 %	IK08	3568	321 x 163
HB DALI 155 W-4000 K 110DEG IP65	≥80	<25	<5 %	IK08	3568	321 x 163
HB DALI 190 W-4000 K 70DEG IP65	≥80	<25	<5 %	IK08	3768	321 x 168
HB DALI 190 W-4000 K 110DEG IP65	≥80	<25	<5 %	IK08	3768	321 x 168
HB DALI 210 W-4000 K 70DEG IP65	≥80	<25	<5 %	IK08	3768	321 x 168

<sup>1</sup> t [h]: L70/B50 @ 25 °C (Ta) / t [h]: L80/B10 @ 25 °C (Ta)



## HIGH BAY ACCESSORIES

Reflectors, refractors and mounting accessories for HIGH BAY luminaires



- High-quality aluminium reflector
- High-quality polycarbonate refractor
- Bracket: black steel, adjustable swivel angle +/-90°

Product name	GTIN (EAN)	L x W x H [mm] Ø x H [mm]	MATERIAL	COLOR	65	2	1
HB ALU REFLECTOR 93 W	4058075507043	415 x 208	Aluminum	Silver	65	2	1
HB ALU REFLECTOR 155 W - 210 W	4058075507050	499 x 81	Aluminum	Silver	65	2	1
HB PC REFRACTOR 93 W	4058075507029	309 x 76	Polycarbonate (PC)	-	90	2	2
HB PC REFRACTOR 155 W - 210 W	4058075507036	414 x 138	Polycarbonate (PC)	-	90	2	2
HB BRACKET 93 W - 155 W	4058075505285	- x 150	Steel	Black	-	1	3
HB BRACKET 190 W - 210 W	4058075505308	- x 150	Steel	Black	-	1	3

<sup>1</sup> Refer to [www.ledvance.com/guarantee](http://www.ledvance.com/guarantee) for precise conditions



## HIGH BAY VALUE

High-bay luminaires up to 110 lm/W



### PRODUCT FEATURES

- Housing made of robust aluminum, black, similar to RAL 9017 with 0.5 m connection cable
- Operating temperature: -20...50 °C
- High luminous efficacy: up to 100 lm/W
- Type of protection: IP65
- Glare index: UGR ≤ 25

### PRODUCT BENEFITS

- Replacement for HQI 250/400W
- Compact, attractive design: weight and size optimized, driver integrated
- Good problem solver due to low weight (<2.26 kg)
- 3 years guarantee

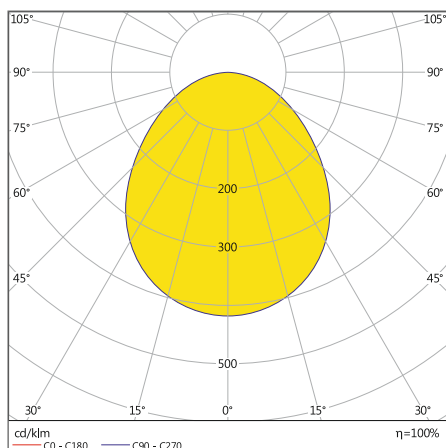
### AREAS OF APPLICATION

- Replacement for high bay luminaires with mercury vapor or metal halide lamps
- Warehouses
- Logistics halls
- Industry
- High ceiling (e.g. in shopping malls, airports, commercial buildings, lobbies)

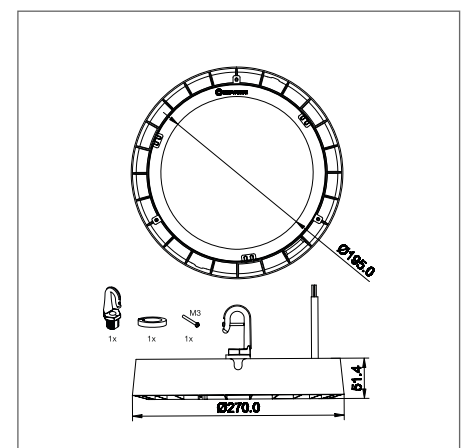
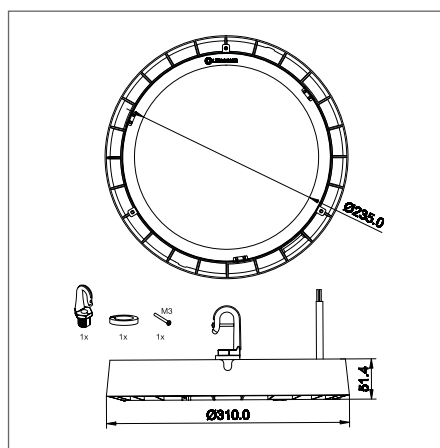
### EQUIPMENT / ACCESSORIES

- Bracket available\*

## FURTHER PRODUCT DETAILS



HIGH BAY VALUE 200 W 4000 K 100 DEG  
 IP65 BK



\* Please note: available = available as an optional accessory.  
 † Refer to [www.ledvance.com/guarantee](http://www.ledvance.com/guarantee) for precise conditions

The pictures shown in the catalog are for illustration purposes only. For information on size and color, please refer to the product table.



Product name	Segmentation	GTIN (EAN)	W	lm	lm/W	K	L70 <sup>1</sup>	L80 <sup>1</sup>	°
HIGH BAY VALUE 100 W 4000 K 100 DEG IP65 BK	■	4058075408395	100	10000	100	4000	50000	32000	100
HIGH BAY VALUE 100 W 6500 K 100 DEG IP65 BK	■	4058075408425	100	10000	100	6500	50000	32000	100
HIGH BAY VALUE 150 W 4000 K 100 DEG IP65 BK	■	4058075408432	150	16000	106	4000	50000	32000	100
HIGH BAY VALUE 150 W 6500 K 100 DEG IP65 BK	■	4058075408449	150	16000	106	6500	50000	32000	100
HIGH BAY VALUE 200 W 4000 K 100 DEG IP65 BK	■	4058075408456	200	20000	100	4000	50000	32000	100
HIGH BAY VALUE 200 W 6500 K 100 DEG IP65 BK	■	4058075408463	200	20000	100	6500	50000	32000	100



Product name	CRI	IK	g	CABLE LENGTH [mm]	L x W x H [mm] ∅ x H [mm]
HIGH BAY VALUE 100 W 4000 K 100 DEG IP65 BK	>80	IK06	1338	500	230x51.4
HIGH BAY VALUE 100 W 6500 K 100 DEG IP65 BK	>80	IK06	1338	500	230x51.4
HIGH BAY VALUE 150 W 4000 K 100 DEG IP65 BK	>80	IK06	1772	500	270x51.4
HIGH BAY VALUE 150 W 6500 K 100 DEG IP65 BK	>80	IK06	1772	500	270x51.4
HIGH BAY VALUE 200 W 4000 K 100 DEG IP65 BK	>80	IK06	2260	500	310x51.4
HIGH BAY VALUE 200 W 6500 K 100 DEG IP65 BK	>80	IK06	2260	500	310x51.4

<sup>1</sup> t [h]: L70/B50 @ 25 °C (Ta) / t [h]: L80/B10 @ 25 °C (Ta)



## HIGH BAY VALUE ACCESSORIES

Reflectors and mounting accessories for HIGH BAY VALUE luminaires



- Value Reflector:  
high-quality aluminium reflector,  
beam angle 80°
- Value Bracket:  
black steel, adjustable swivel angle +/- 60°

Product name	GTIN (EAN)	L x W x H [mm] Ø x H [mm]	MATERIAL	COLOR			
HIGH BAY VALUE REFLECTOR 100 W 80 DEG SI	4058075423275	335 x 80	Aluminum	Silver	80	2	1
HIGH BAY VALUE REFLECTOR 150 W 80 DEG SI	4058075423282	385 x 82	Aluminum	Silver	80	2	1
HIGH BAY VALUE REFLECTOR 200 W 80 DEG SI	4058075423312	425 x 85	Aluminum	Silver	80	2	1
HIGH BAY VALUE BRACKET 100 W	4058075423350	148 x 22 x 110	Steel	Black	-	1	2
HIGH BAY VALUE BRACKET 150 W	4058075423374	186 x 35 x 125	Steel	Black	-	1	2
HIGH BAY VALUE BRACKET 200 W	4058075423398	229 x 35 x 140	Steel	Black	-	1	2

<sup>1</sup> Refer to [www.ledvance.com/guarantee](http://www.ledvance.com/guarantee) for precise conditions



# FLOODLIGHTS

THE RIGHT ILLUMINATION FOR A WIDE VARIETY OF OUTDOOR AREA AND SPORTS LIGHTING PROJECTS

## GENERAL OUTDOOR LIGHTING



### FLOODLIGHT: POWERFUL ALL-ROUNDERS



Broad floodlight portfolio for highly efficient and long-lasting illumination across a wide range of applications.

PERFORM-  
MANCE  
CLASS

Page 158



### FLOODLIGHT SENSOR AND PHOTOCELL SENSOR: INTELLIGENT AND EFFICIENT

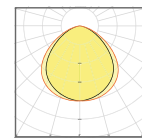


Luminaires with programmable, adjustable IP65 daylight and motion sensor. As well as products with highly protected photocell daylight sensor.

PERFORM-  
MANCE  
CLASS

Page 162

Distribution of light  
SYM 100



Symmetrical light pattern 100° x 100°  
General outdoor and facade lighting



### FLOODLIGHT COMPACT: VERSATILE

Luminaires equipped with all essential features for safe and worry-free outdoor lighting.

VALUE  
CLASS

Page 166



### FLOODLIGHT COMPACT SENSOR: FUNCTIONAL

Luminaires for optimized outdoor lighting by means of motion and daylight sensor.

VALUE  
CLASS

Page 168



## AREA & SPORTS LIGHTING



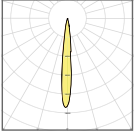
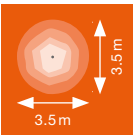
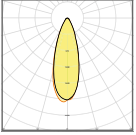
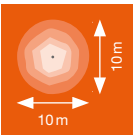
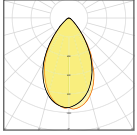
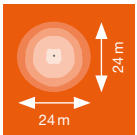
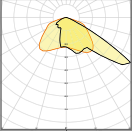
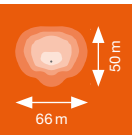
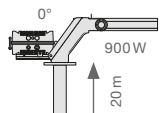
### FLOODLIGHT MAX: HIGHEST LUMEN OUTPUT



PERFORMANCE CLASS

Extremely robust, yet very modular high-power floodlight with four beam angles and up to 164 000 lumen light output. Suitable for replacing high-pressure discharge luminaires or up to 2 kW.

Page 170

<p><b>Distribution of light SYM 10</b></p>  <p><b>Symmetrical 10°</b> Illumination of small areas with very high light level requirements</p>  <p>2500 lx <math>U_0 &gt; 0.7</math> 3.5 m</p>	<p><b>Distribution of light SYM 30</b></p>  <p><b>Symmetrical 30°</b> Illumination of sports grounds and applications that require high illumination levels</p>  <p>300 lx <math>U_0 &gt; 0.7</math> 10 m</p>	<p><b>Distribution of light SYM 60</b></p>  <p><b>Symmetrical 60°</b> Illumination of sports areas and applications with high or medium light levels</p>  <p>120 lx <math>U_0 &gt; 0.7</math> 24 m</p>	<p><b>Distribution of light ASYM 50 x 110</b></p>  <p><b>Asymmetrical wide beam 50° x 110°</b> Illumination of areas, parking lots and sports grounds</p>  <p>20 lx <math>U_0 &gt; 0.25</math> 66 m</p> 
---	---	--	---

Typical application results with products installed as displayed. Grey dot shows mast position.




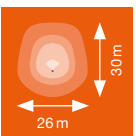
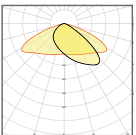
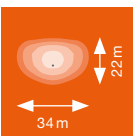
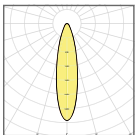
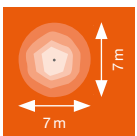
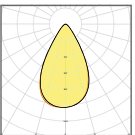
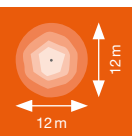
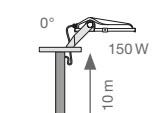
### FLOODLIGHT PERFORMANCE: POWERFUL AND PRECISE



PERFORMANCE CLASS

Highly durable and efficient floodlights, with up to 140 lm/W. Available in four light distributions and light output configurations ranging from 6 300 to 40 800 lumen, ideal for replacing conventional luminaires and new installations alike.

Page 174

<p><b>Distribution of light ASYM 55 x 110</b></p>  <p><b>Asymmetrical wide beam 55° x 110°</b> Illumination of areas, parking lots, sports grounds and facades</p>  <p>20 lx <math>U_0 &gt; 0.25</math> 30 m</p>	<p><b>Distribution of light ASYM 45 x 140</b></p>  <p><b>Asymmetrical extra wide beam 45° x 140°</b> Illumination of areas, parking lots and (industrial) roads with wide mast spacing</p>  <p>20 lx <math>U_0 &gt; 0.25</math> 34 m</p>	<p><b>Distribution of light SYM R30</b></p>  <p><b>Rotationally symmetrical 30°</b> Illumination of sports grounds and applications that require high illuminance levels</p>  <p>200 lx <math>U_0 &gt; 0.5</math> 7 m</p>	<p><b>Distribution of light SYM 60</b></p>  <p><b>NEW: Symmetrical 60°</b> Illumination of sports areas and applications with high or medium light levels</p>  <p>100 lx <math>U_0 &gt; 0.5</math> 12 m</p> 
--	--	---	---

Typical application results with products installed as displayed. Grey dot shows mast position.



### FLOODLIGHT AREA: UNIVERSAL LIGHT

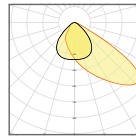
Highly efficient and flexible floodlight for universal area lighting.

VALUE CLASS

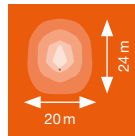
Page 178



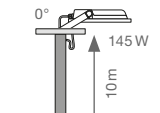
**Distribution of light ASYM 48 x 92**



**Asymmetric beam angle 48° x 92°**  
Ideal for area and small field sports lighting



20 lx  $U_0 > 0.25$   
24 m



145 W

Typical application results with products installed as displayed. Grey dot shows mast position.

## FLOODLIGHT 10W – 50W

Floodlight with reflector based, symmetric light distribution up to 120 lm/W



### PRODUCT FEATURES

- Aluminum housing with toughened glass, black or white
- Symmetrical beam angle: 100° × 100°
- Mounting bracket with 30° angle and wide rotation
- Connection via flexible 1 m cable, wiring required
- Surge protection: up to 4 kV (L/N-PE), 2 kV (L-N)

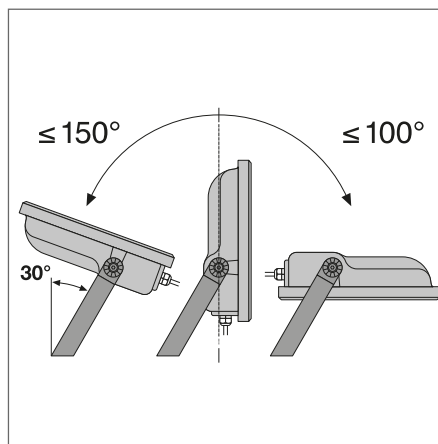
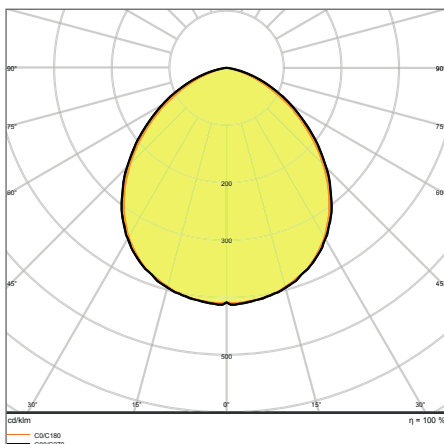
### PRODUCT BENEFITS

- Frosted cover made of tempered glass for uniform illumination
- Energy savings of up to 90 % compared to halogen lamp floodlights
- No upper light output ratio (ULOR 0 %) when mounted at 0° tilt
- Impact resistance: IK07
- 5 years guarantee

### AREAS OF APPLICATION

- Replacement for floodlights with halogen lamps
- Outdoor use (IP65)
- Public areas
- Building facades
- Construction areas

## FURTHER PRODUCT DETAILS



FL PFM 50 W 6500 K SYM 100 WT

<sup>1</sup> Refer to [www.ledvance.com/guarantee](http://www.ledvance.com/guarantee) for precise conditions

The pictures shown in the catalog are for illustration purposes only. For information on size and color, please refer to the product table.

Product name	Segmentation	GTIN (EAN)	RE-PLACEMENT FOR	W	lm	lm/W	K	L70 <sup>2</sup>	L80 <sup>2</sup>
FL PFM 10 W 3000 K SYM 100 BK	■	4058075420847	80 W HAL	10	1100	110	3000	70 000	55 000
FL PFM 10 W 3000 K SYM 100 WT	■	4058075420861	80 W HAL	10	1100	110	3000	70 000	55 000
FL PFM 10 W 4000 K SYM 100 BK	■	4058075420885	80 W HAL	10	1200	120	4000	70 000	55 000
FL PFM 10 W 4000 K SYM 100 WT	■	4058075420908	80 W HAL	10	1200	120	4000	70 000	55 000
FL PFM 10 W 6500 K SYM 100 BK	■	4058075420922	80 W HAL	10	1200	120	6500	70 000	55 000
FL PFM 10 W 6500 K SYM 100 WT	■	4058075420946	80 W HAL	10	1200	120	6500	70 000	55 000
FL PFM 20 W 3000 K SYM 100 BK	■	4058075420960	160 W HAL	20	2200	110	3000	70 000	55 000
FL PFM 20 W 3000 K SYM 100 WT	■	4058075420991	160 W HAL	20	2200	110	3000	70 000	55 000
FL PFM 20 W 4000 K SYM 100 BK	■	4058075421011	160 W HAL	20	2400	120	4000	70 000	55 000
FL PFM 20 W 4000 K SYM 100 WT	■	4058075421035	160 W HAL	20	2400	120	4000	70 000	55 000
FL PFM 20 W 6500 K SYM 100 BK	■	4058075421059	160 W HAL	20	2400	120	6500	70 000	55 000
FL PFM 20 W 6500 K SYM 100 WT	■	4058075421073	160 W HAL	20	2400	120	6500	70 000	55 000
FL PFM 30 W 3000 K SYM 100 BK	■	4058075421097	250 W HAL	30	3300	110	3000	70 000	55 000
FL PFM 30 W 3000 K SYM 100 WT	■	4058075421110	250 W HAL	30	3300	110	3000	70 000	55 000
FL PFM 30 W 4000 K SYM 100 BK	■	4058075421134	250 W HAL	30	3600	120	4000	70 000	55 000
FL PFM 30 W 4000 K SYM 100 WT	■	4058075421165	250 W HAL	30	3600	120	4000	70 000	55 000
FL PFM 30 W 6500 K SYM 100 BK	■	4058075421189	250 W HAL	30	3600	120	6500	70 000	55 000
FL PFM 30 W 6500 K SYM 100 WT	■	4058075421202	250 W HAL	30	3600	120	6500	70 000	55 000
FL PFM 50 W 3000 K SYM 100 BK	■	4058075421226	400 W HAL	50	5500	110	3000	70 000	55 000
FL PFM 50 W 3000 K SYM 100 WT	■	4058075421240	400 W HAL	50	5500	110	3000	70 000	55 000
FL PFM 50 W 4000 K SYM 100 BK	■	4058075421264	400 W HAL	50	6000	120	4000	70 000	55 000
FL PFM 50 W 4000 K SYM 100 WT	■	4058075421288	400 W HAL	50	6000	120	4000	70 000	55 000
FL PFM 50 W 6500 K SYM 100 BK	■	4058075421301	400 W HAL	50	6000	120	6500	70 000	55 000
FL PFM 50 W 6500 K SYM 100 WT	■	4058075421325	400 W HAL	50	6000	120	6500	70 000	55 000

Product name	Beam angle	CRI	IK	IK	CABLE LENGTH [mm]	L x W x H [mm] Ø x H [mm]
FL PFM 10 W 3000 K SYM 100 BK	100 × 100	≥80	IK07	400	1 000	122 × 131 × 36
FL PFM 10 W 3000 K SYM 100 WT	100 × 100	≥80	IK07	400	1 000	122 × 131 × 36
FL PFM 10 W 4000 K SYM 100 BK	100 × 100	≥80	IK07	400	1 000	122 × 131 × 36
FL PFM 10 W 4000 K SYM 100 WT	100 × 100	≥80	IK07	400	1 000	122 × 131 × 36
FL PFM 10 W 6500 K SYM 100 BK	100 × 100	≥80	IK07	400	1 000	122 × 131 × 36
FL PFM 10 W 6500 K SYM 100 WT	100 × 100	≥80	IK07	400	1 000	122 × 131 × 36
FL PFM 20 W 3000 K SYM 100 BK	100 × 100	≥80	IK07	520	1 000	144 × 156 × 42
FL PFM 20 W 3000 K SYM 100 WT	100 × 100	≥80	IK07	520	1 000	144 × 156 × 42
FL PFM 20 W 4000 K SYM 100 BK	100 × 100	≥80	IK07	520	1 000	144 × 156 × 42
FL PFM 20 W 4000 K SYM 100 WT	100 × 100	≥80	IK07	520	1 000	144 × 156 × 42
FL PFM 20 W 6500 K SYM 100 BK	100 × 100	≥80	IK07	520	1 000	144 × 156 × 42
FL PFM 20 W 6500 K SYM 100 WT	100 × 100	≥80	IK07	520	1 000	144 × 156 × 42
FL PFM 30 W 3000 K SYM 100 BK	100 × 100	≥80	IK07	700	1 000	177 × 186 × 42
FL PFM 30 W 3000 K SYM 100 WT	100 × 100	≥80	IK07	700	1 000	177 × 186 × 42
FL PFM 30 W 4000 K SYM 100 BK	100 × 100	≥80	IK07	700	1 000	177 × 186 × 42
FL PFM 30 W 4000 K SYM 100 WT	100 × 100	≥80	IK07	700	1 000	177 × 186 × 42
FL PFM 30 W 6500 K SYM 100 BK	100 × 100	≥80	IK07	700	1 000	177 × 186 × 42
FL PFM 30 W 6500 K SYM 100 WT	100 × 100	≥80	IK07	700	1 000	177 × 186 × 42
FL PFM 50 W 3000 K SYM 100 BK	100 × 100	≥80	IK07	1 000	1 000	206 × 218 × 46
FL PFM 50 W 3000 K SYM 100 WT	100 × 100	≥80	IK07	1 000	1 000	206 × 218 × 46
FL PFM 50 W 4000 K SYM 100 BK	100 × 100	≥80	IK07	1 000	1 000	206 × 218 × 46
FL PFM 50 W 4000 K SYM 100 WT	100 × 100	≥80	IK07	1 000	1 000	206 × 218 × 46
FL PFM 50 W 6500 K SYM 100 BK	100 × 100	≥80	IK07	1 000	1 000	206 × 218 × 46
FL PFM 50 W 6500 K SYM 100 WT	100 × 100	≥80	IK07	1 000	1 000	206 × 218 × 46

<sup>2</sup> t[h]: L70/B50 @ 25 °C (T<sub>a</sub>) / t[h]: L80/B10 @ 25 °C (T<sub>a</sub>)

## FLOODLIGHT 65 W – 200 W

Floodlight with reflector based, symmetric light distribution up to 125 lm/W



### PRODUCT FEATURES

- Aluminum housing with toughened glass
- Symmetrical beam angle: 100° × 100°
- Mounting bracket with 30° angle and wide rotation
- Breather membrane to optimize air exchange, without compromising IP protection
- Surge protection: up to 6 kV (L/N-PE), 4 kV (L-N)

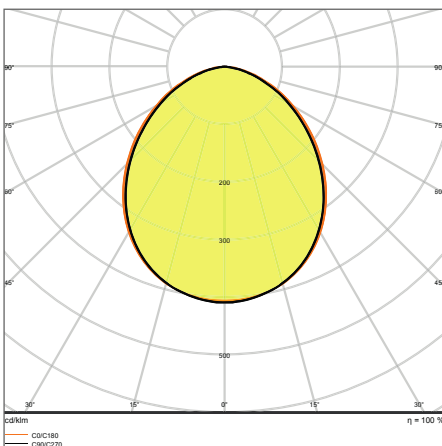
### PRODUCT BENEFITS

- Frosted cover made of tempered glass for uniform illumination
- Energy savings of up to 90 % compared to halogen lamp floodlights
- No upper light output ratio (ULOR 0 %) when mounted at 0° tilt
- Impact resistance: IK08
- 5 years guarantee

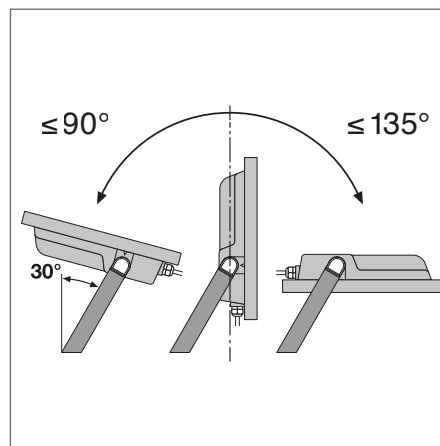
### AREAS OF APPLICATION

- Replacement for floodlights with halogen lamps
- Outdoor use (IP65)
- Public areas
- Building facades
- Construction areas

## FURTHER PRODUCT DETAILS



FL PFM 200 W 6500 K SYM 100 BK



<sup>1</sup> Refer to [www.ledvance.com/guarantee](http://www.ledvance.com/guarantee) for precise conditions

The pictures shown in the catalog are for illustration purposes only. For information on size and color, please refer to the product table.



Product name	Segmentation	GTIN (EAN)	RE- PLACE- MENT FOR	W	lm	lm/W	K	L70 <sup>2</sup>	L80 <sup>2</sup>
FL PFM 65 W 3000 K SYM 100 BK	■	4058075422445	500 W HAL	65	7 150	110	3000	70 000	55 000
FL PFM 65 W 4000 K SYM 100 BK	■	4058075422469	500 W HAL	65	8 000	123	4000	70 000	55 000
FL PFM 65 W 6500 K SYM 100 BK	■	4058075422483	500 W HAL	65	8 000	123	6500	70 000	55 000
FL PFM 80 W 3000 K SYM 100 BK	■	4058075422506	750 W HAL	80	8 800	110	3000	70 000	55 000
FL PFM 80 W 4000 K SYM 100 BK	■	4058075422520	750 W HAL	80	10 000	125	4000	70 000	55 000
FL PFM 80 W 6500 K SYM 100 BK	■	4058075422544	750 W HAL	80	10 000	125	6500	70 000	55 000
FL PFM 125 W 3000 K SYM 100 BK	■	4058075423695	1 000 W HAL	125	13 750	110	3000	70 000	55 000
FL PFM 125 W 4000 K SYM 100 BK	■	4058075423701	1 000 W HAL	125	15 000	120	4000	70 000	55 000
FL PFM 125 W 6500 K SYM 100 BK	■	4058075423718	1 000 W HAL	125	15 000	120	6500	70 000	55 000
FL PFM 165 W 3000 K SYM 100 BK	■	4058075423725	1 500 W HAL	165	18 150	110	3000	70 000	55 000
FL PFM 165 W 4000 K SYM 100 BK	■	4058075423732	1 500 W HAL	165	20 000	121	4000	70 000	55 000
FL PFM 165 W 6500 K SYM 100 BK	■	4058075423749	1 500 W HAL	165	20 000	121	6500	70 000	55 000
FL PFM 200 W 3000 K SYM 100 BK	■	4058075423756	2 000 W HAL	200	22 000	110	3000	70 000	55 000
FL PFM 200 W 4000 K SYM 100 BK	■	4058075423763	2 000 W HAL	200	25 000	125	4000	70 000	55 000
FL PFM 200 W 6500 K SYM 100 BK	■	4058075423770	2 000 W HAL	200	25 000	125	6500	70 000	55 000

Product name	Beam angle	CRI	FLICKER VALUE	IK	INSTALLATION	CABLE LENGTH [mm]	L x W x H [mm] Ø x H [mm]
FL PFM 65 W 3000 K SYM 100 BK	100 × 100	≥ 80	–	IK08	2 100	1 000	268 × 237 × 49
FL PFM 65 W 4000 K SYM 100 BK	100 × 100	≥ 80	–	IK08	2 100	1 000	268 × 237 × 49
FL PFM 65 W 6500 K SYM 100 BK	100 × 100	≥ 80	–	IK08	2 100	1 000	268 × 237 × 49
FL PFM 80 W 3000 K SYM 100 BK	100 × 100	≥ 80	–	IK08	2 800	1 000	335 × 250 × 55
FL PFM 80 W 4000 K SYM 100 BK	100 × 100	≥ 80	–	IK08	2 800	1 000	335 × 250 × 55
FL PFM 80 W 6500 K SYM 100 BK	100 × 100	≥ 80	–	IK08	2 800	1 000	335 × 250 × 55
FL PFM 125 W 3000 K SYM 100 BK	100 × 100	≥ 80	< 5 %	IK08	3 800	1 000	381 × 290 × 59
FL PFM 125 W 4000 K SYM 100 BK	100 × 100	≥ 80	< 5 %	IK08	3 800	1 000	381 × 290 × 59
FL PFM 125 W 6500 K SYM 100 BK	100 × 100	≥ 80	< 5 %	IK08	3 800	1 000	381 × 290 × 59
FL PFM 165 W 3000 K SYM 100 BK	100 × 100	≥ 80	< 5 %	IK08	4 800	1 000	418 × 322 × 60
FL PFM 165 W 4000 K SYM 100 BK	100 × 100	≥ 80	< 5 %	IK08	4 800	1 000	418 × 322 × 60
FL PFM 165 W 6500 K SYM 100 BK	100 × 100	≥ 80	< 5 %	IK08	4 800	1 000	418 × 322 × 60
FL PFM 200 W 3000 K SYM 100 BK	100 × 100	≥ 80	< 5 %	IK08	6 000	1 000	454 × 354 × 62
FL PFM 200 W 4000 K SYM 100 BK	100 × 100	≥ 80	< 5 %	IK08	6 000	1 000	454 × 354 × 62
FL PFM 200 W 6500 K SYM 100 BK	100 × 100	≥ 80	< 5 %	IK08	6 000	1 000	454 × 354 × 62

<sup>2</sup> t[h]: L70/B50 @ 25 °C (T<sub>a</sub>) / t[h]: L80/B10 @ 25 °C (T<sub>a</sub>)

# FLOODLIGHT SENSOR

Floodlight with flexible motion and daylight sensor



## PRODUCT FEATURES

- Aluminum housing with toughened glass, black or white
- Symmetrical beam angle: 100° × 100°
- Mounting bracket with 30° angle and wide rotation
- PIR motion and daylight sensor
- Connection via flexible 1 m cable, wiring required

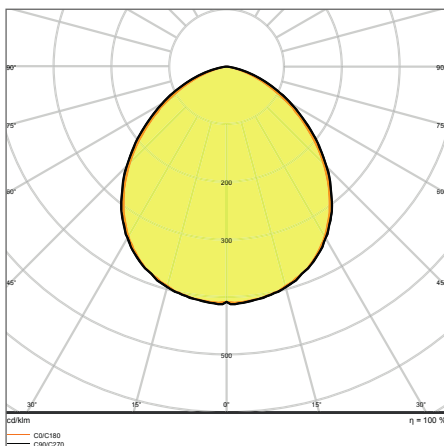
## PRODUCT BENEFITS

- Demand optimized illumination due to flexible and programmable sensor
- Easy configuration of sensor range, daylight and motion detection via rotary switch
- Always-on override, activated via special mains switching pattern
- No upper light output ratio (ULOR 0 %) when mounted at 0° tilt
- 5 years guarantee

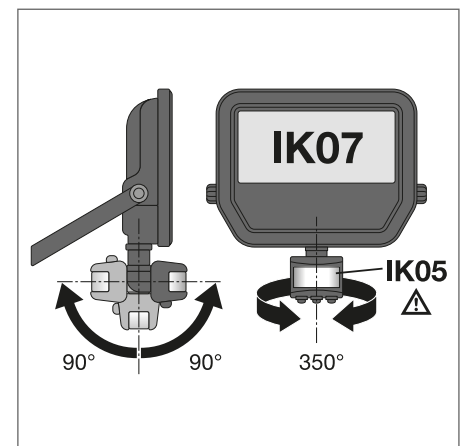
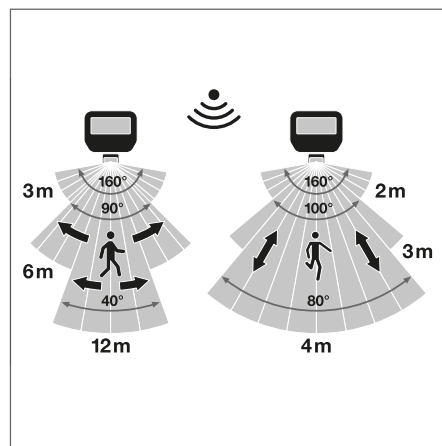
## AREAS OF APPLICATION

- Replacement for floodlights with halogen lamps
- Outdoor use (IP65)
- Public areas
- Building facades
- Construction areas

## FURTHER PRODUCT DETAILS



FL PFM 50 W 4000 K SYM 100 S BK



<sup>1</sup> Refer to [www.ledvance.com/guarantee](http://www.ledvance.com/guarantee) for precise conditions

The pictures shown in the catalog are for illustration purposes only. For information on size and color, please refer to the product table.

Product name	Segmentation	GTIN (EAN)	RE-PLACEMENT FOR	W	lm	lm/W	K	L70 <sup>2</sup>	L80 <sup>2</sup>
FL PFM 10 W 3000 K SYM 100 S BK	■	4058075460836	80 W HAL	10	1100	110	3000	70 000	55 000
FL PFM 10 W 3000 K SYM 100 S WT	■	4058075460850	80 W HAL	10	1100	110	3000	70 000	55 000
FL PFM 10 W 4000 K SYM 100 S BK	■	4058075460874	80 W HAL	10	1200	120	4000	70 000	55 000
FL PFM 10 W 4000 K SYM 100 S WT	■	4058075460898	80 W HAL	10	1200	120	4000	70 000	55 000
FL PFM 20 W 3000 K SYM 100 S BK	■	4058075460911	160 W HAL	20	2200	110	3000	70 000	55 000
FL PFM 20 W 3000 K SYM 100 S WT	■	4058075460935	160 W HAL	20	2200	110	3000	70 000	55 000
FL PFM 20 W 4000 K SYM 100 S BK	■	4058075460959	160 W HAL	20	2400	120	4000	70 000	55 000
FL PFM 20 W 4000 K SYM 100 S WT	■	4058075460973	160 W HAL	20	2400	120	4000	70 000	55 000
FL PFM 50 W 3000 K SYM 100 S BK	■	4058075460997	400 W HAL	50	5500	110	3000	70 000	55 000
FL PFM 50 W 3000 K SYM 100 S WT	■	4058075461017	400 W HAL	50	5500	110	3000	70 000	55 000
FL PFM 50 W 4000 K SYM 100 S BK	■	4058075461031	400 W HAL	50	6000	120	4000	70 000	55 000
FL PFM 50 W 4000 K SYM 100 S WT	■	4058075461055	400 W HAL	50	6000	120	4000	70 000	55 000

Product name	RE-PLACEMENT FOR	CRI	IK	IK	CABLE LENGTH [mm]	L x W x H [mm] Ø x H [mm]
FL PFM 10 W 3000 K SYM 100 S BK	100 x 100	≥ 80	IK07	440	1 000	159 x 131 x 53
FL PFM 10 W 3000 K SYM 100 S WT	100 x 100	≥ 80	IK07	440	1 000	159 x 131 x 53
FL PFM 10 W 4000 K SYM 100 S BK	100 x 100	≥ 80	IK07	440	1 000	159 x 131 x 53
FL PFM 10 W 4000 K SYM 100 S WT	100 x 100	≥ 80	IK07	440	1 000	159 x 131 x 53
FL PFM 20 W 3000 K SYM 100 S BK	100 x 100	≥ 80	IK07	570	1 000	176 x 156 x 55
FL PFM 20 W 3000 K SYM 100 S WT	100 x 100	≥ 80	IK07	570	1 000	176 x 156 x 55
FL PFM 20 W 4000 K SYM 100 S BK	100 x 100	≥ 80	IK07	570	1 000	176 x 156 x 55
FL PFM 20 W 4000 K SYM 100 S WT	100 x 100	≥ 80	IK07	570	1 000	176 x 156 x 55
FL PFM 50 W 3000 K SYM 100 S BK	100 x 100	≥ 80	IK07	1 060	1 000	225 x 219 x 59
FL PFM 50 W 3000 K SYM 100 S WT	100 x 100	≥ 80	IK07	1 060	1 000	225 x 219 x 59
FL PFM 50 W 4000 K SYM 100 S BK	100 x 100	≥ 80	IK07	1 060	1 000	225 x 219 x 59
FL PFM 50 W 4000 K SYM 100 S WT	100 x 100	≥ 80	IK07	1 060	1 000	225 x 219 x 59

## SENSOR PROPERTIES

Product name	Type of sensor	Sensor technology	Detection threshold of daylight sensor	Detection range of motion sensor	Sensor detection angle	Sensor controlled switching time
<b>FLOODLIGHT SENSOR 10 W</b>	Motion/Light	Passive infrared/Photocell	10...2000 lx	2...12 m	40°...160 °	10 s...12 min
<b>FLOODLIGHT SENSOR 20 W</b>	Motion/Light	Passive infrared/Photocell	10...2000 lx	2...12 m	40°...160 °	10 s...12 min
<b>FLOODLIGHT SENSOR 50 W</b>	Motion/Light	Passive infrared/Photocell	10...2000 lx	2...12 m	40°...160 °	10 s...12 min

<sup>2</sup> t[h]: L70/B50 @ 25 °C (T<sub>a</sub>) / t[h]: L80/B10 @ 25 °C (T<sub>a</sub>)

## FLOODLIGHT PHOTOCELL

Floodlight with daylight sensor



### PRODUCT FEATURES

- Aluminum housing with toughened glass, black
- Integrated photocell daylight sensor, auto on <math>< 35 \text{ lx}</math>, auto off <math>> 95 \text{ lx}</math>
- Symmetrical beam angle: <math>100^\circ \times 100^\circ</math>
- Mounting bracket with <math>30^\circ</math> angle and wide rotation
- Connection via flexible 1 m cable, wiring required

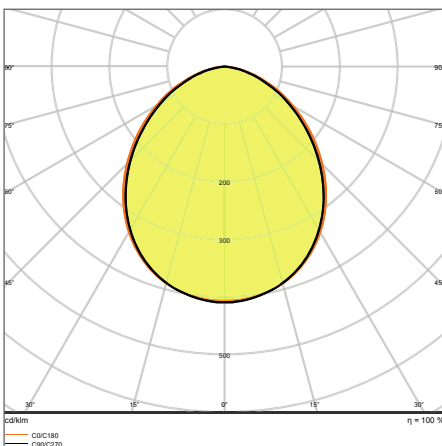
### PRODUCT BENEFITS

- Automatically switches on and off according to the amount of available daylight thanks to photocell light sensor
- Always-on override, activated via special mains switching pattern
- No upper light output ratio (ULOR 0 %) when mounted at <math>0^\circ</math> tilt
- Impact resistance: IK08 (IK08 photocell sensor)
- 5 years guarantee

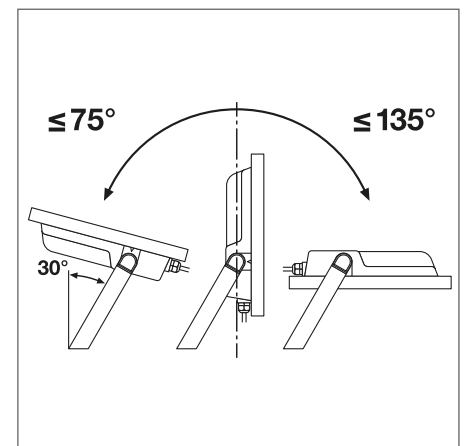
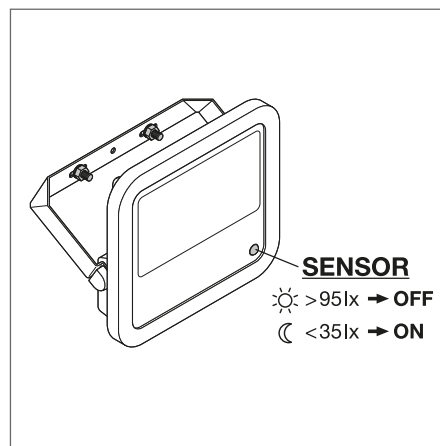
### AREAS OF APPLICATION

- Replacement for floodlights with halogen lamps
- Outdoor use (IP65)
- Industry
- Public areas
- Construction areas

## FURTHER PRODUCT DETAILS



FL PFM 200 W 4000 K SYM 100 SL BK



<sup>1</sup> Refer to [www.ledvance.com/guarantee](http://www.ledvance.com/guarantee) for precise conditions

The pictures shown in the catalog are for illustration purposes only. For information on size and color, please refer to the product table.

Product name	Segmentation	GTIN (EAN)	RE-PLACEMENT FOR	W	lm	lm/W	K	L70 <sup>2</sup>	L80 <sup>2</sup>
FL PFM 65 W 4000 K SYM 100 SL BK	■	4058075461093	500W HAL	65	8000	125	4000	70 000	55 000
FL PFM 80 W 4000 K SYM 100 SL BK	■	4058075461130	750W HAL	80	10 000	125	4000	70 000	55 000
FL PFM 125 W 4000 K SYM 100 SL BK	■	4058075461161	1 000W HAL	125	15 000	125	4000	70 000	55 000
FL PFM 165 W 4000 K SYM 100 SL BK	■	4058075461185	1 500W HAL	165	20 000	125	4000	70 000	55 000
FL PFM 200 W 4000 K SYM 100 SL BK	■	4058075461208	2 000W HAL	200	25 000	125	4000	70 000	55 000

Product name								L x W x H [mm] Ø x H [mm]
FL PFM 65 W 4000 K SYM 100 SL BK		100 x 100	≥ 80	–	IK08	2 100	1 000	268 x 237 x 49
FL PFM 80 W 4000 K SYM 100 SL BK		100 x 100	≥ 80	–	IK08	2 800	1 000	335 x 250 x 55
FL PFM 125 W 4000 K SYM 100 SL BK		100 x 100	≥ 80	< 5 %	IK08	3 800	1 000	381 x 290 x 59
FL PFM 165 W 4000 K SYM 100 SL BK		100 x 100	≥ 80	< 5 %	IK08	4 800	1 000	418 x 322 x 60
FL PFM 200 W 4000 K SYM 100 SL BK		100 x 100	≥ 80	< 5 %	IK08	6 000	1 000	454 x 354 x 62

## SENSOR PROPERTIES

Product name	Type of sensor	Sensor technology	Detection threshold of daylight sensor
FLOODLIGHT PHOTOCELL 65 W	Light	Photocell	35...95 lx
FLOODLIGHT PHOTOCELL 80 W	Light	Photocell	35...95 lx
FLOODLIGHT PHOTOCELL 125 W	Light	Photocell	35...95 lx
FLOODLIGHT PHOTOCELL 165 W	Light	Photocell	35...95 lx
FLOODLIGHT PHOTOCELL 200 W	Light	Photocell	35...95 lx

<sup>2</sup> t[h]: L70/B50 @ 25 °C (T<sub>a</sub>) / t[h]: L80/B10 @ 25 °C (T<sub>a</sub>)

# FLOODLIGHT COMPACT

Floodlight with reflector based, symmetric light distribution



## PRODUCT FEATURES

- Luminaire efficacy: up to 100 lm/W
- Symmetrical beam angle: 100° x 100°
- Mounting bracket with 30° angle and wide rotation area
- Flexible motion and daylight sensor
- Sensor with 350° pan and 180° tilt

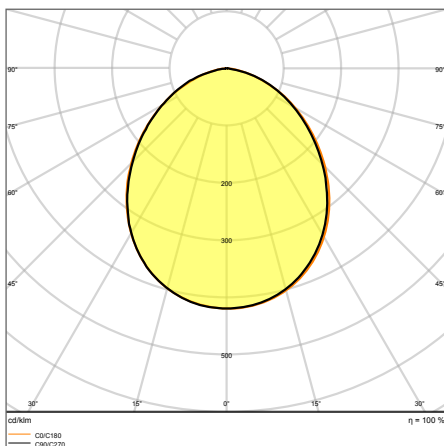
## PRODUCT BENEFITS

- Robust, yet light and compact design
- Safe and very uniform illumination, due to frosted and tempered glass diffuser
- No upper light output ratio (ULOR 0%) when mounted at 0° tilt
- Demand optimized illumination due to flexible and programmable sensor
- Easy adjustment of sensor range, daylight detection and hold time

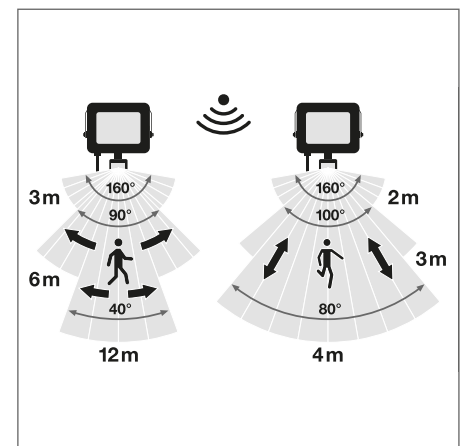
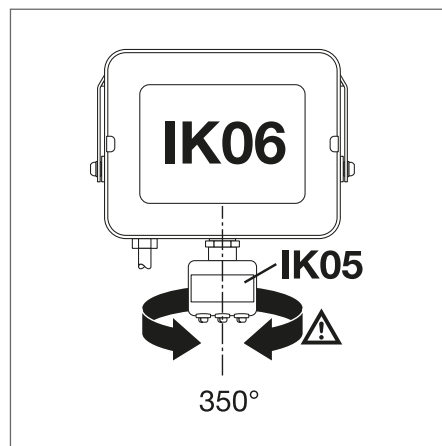
## AREAS OF APPLICATION

- Replacement for floodlights with halogen lamps
- Outdoor use (IP65)
- Public areas
- Building facades
- Construction areas

## FURTHER PRODUCT DETAILS



FL COMP V 135W 840 SYM 100 BK



<sup>1</sup> Refer to [www.ledvance.com/guarantee](http://www.ledvance.com/guarantee) for precise conditions | <sup>2</sup> Versions with sensor available

The pictures shown in the catalog are for illustration purposes only. For information on size and color, please refer to the product table.

## FLOODLIGHT COMPACT

Floodlight with reflector based, symmetric light distribution

Product name	Segmentation	GTIN (EAN)	RE-PLACE-MENT FOR	W	lm	lm/W	K	L70 <sup>3</sup>	L80 <sup>3</sup>
FL COMP V 10W 830 SYM 100 BK	■	4058075574557	80 W HAL	10	900	90	3000	50 000	35 000
FL COMP V 10W 830 SYM 100 WT	■	4058075574571	80 W HAL	10	900	90	3000	50 000	35 000
FL COMP V 10W 840 SYM 100 BK	■	4058075574595	80 W HAL	10	1000	100	4000	50 000	35 000
FL COMP V 10W 840 SYM 100 WT	■	4058075574618	80 W HAL	10	1000	100	4000	50 000	35 000
FL COMP V 10W 865 SYM 100 BK	■	4058075574656	80 W HAL	10	1000	100	6500	50 000	35 000
FL COMP V 10W 865 SYM 100 WT	■	4058075574694	80 W HAL	10	1000	100	6500	50 000	35 000
FL COMP V 20W 830 SYM 100 BK	■	4058075574731	160 W HAL	20	1800	90	3000	50 000	35 000
FL COMP V 20W 830 SYM 100 WT	■	4058075574755	160 W HAL	20	1800	90	3000	50 000	35 000
FL COMP V 20W 840 SYM 100 BK	■	4058075574779	160 W HAL	20	2000	100	4000	50 000	35 000
FL COMP V 20W 840 SYM 100 WT	■	4058075574793	160 W HAL	20	2000	100	4000	50 000	35 000
FL COMP V 20W 865 SYM 100 BK	■	4058075574816	160 W HAL	20	2000	100	6500	50 000	35 000
FL COMP V 20W 865 SYM 100 WT	■	4058075574830	160 W HAL	20	2000	100	6500	50 000	35 000
FL COMP V 50W 830 SYM 100 BK	■	4058075574854	400 W HAL	50	4500	90	3000	50 000	35 000
FL COMP V 50W 830 SYM 100 WT	■	4058075574878	400 W HAL	50	4500	90	3000	50 000	35 000
FL COMP V 50W 840 SYM 100 BK	■	4058075574892	400 W HAL	50	5000	100	4000	50 000	35 000
FL COMP V 50W 840 SYM 100 WT	■	4058075574915	400 W HAL	50	5000	100	4000	50 000	35 000
FL COMP V 50W 865 SYM 100 BK	■	4058075574939	400 W HAL	50	5000	100	6500	50 000	35 000
FL COMP V 50W 865 SYM 100 WT	■	4058075574960	400 W HAL	50	5000	100	6500	50 000	35 000
FL COMP V 90W 830 SYM 100 BK	■	4058075574984	750 W HAL	90	8100	90	3000	50 000	35 000
FL COMP V 90W 840 SYM 100 BK	■	4058075575004	750 W HAL	90	9000	100	4000	50 000	35 000
FL COMP V 90W 865 SYM 100 BK	■	4058075575080	750 W HAL	90	9000	100	6500	50 000	35 000
FL COMP V 135W 830 SYM 100 BK	■	4058075575103	1000 W HAL	135	12150	90	3000	50 000	35 000
FL COMP V 135W 840 SYM 100 BK	■	4058075575127	1000 W HAL	135	13500	100	4000	50 000	35 000
FL COMP V 135W 865 SYM 100 BK	■	4058075575141	1000 W HAL	135	13500	100	6500	50 000	35 000
FL COMP V 180 W 830 SYM 100 BK	■	4058075575165	1500 W HAL	180	16800	90	3000	50 000	35 000
FL COMP V 180W 840 SYM 100 BK	■	4058075575189	1500 W HAL	180	18000	100	4000	50 000	35 000
FL COMP V 180W 865 SYM 100 BK	■	4058075575202	1500 W HAL	180	18000	100	6500	50 000	35 000

Product name								L x W x H [mm]	Ø x H [mm]
FL COMP V 10W 830 SYM 100 BK		100 x 100	≥ 80	< 10 %	IK06	280	1 000	114 x 109 x 29	
FL COMP V 10W 830 SYM 100 WT		100 x 100	≥ 80	< 10 %	IK06	280	1 000	114 x 109 x 29	
FL COMP V 10W 840 SYM 100 BK		100 x 100	≥ 80	< 10 %	IK06	280	1 000	114 x 109 x 29	
FL COMP V 10W 840 SYM 100 WT		100 x 100	≥ 80	< 10 %	IK06	280	1 000	114 x 109 x 29	
FL COMP V 10W 865 SYM 100 BK		100 x 100	≥ 80	< 10 %	IK06	280	1 000	114 x 109 x 29	
FL COMP V 10W 865 SYM 100 WT		100 x 100	≥ 80	< 10 %	IK06	280	1 000	114 x 109 x 29	
FL COMP V 20W 830 SYM 100 BK		100 x 100	≥ 80	< 10 %	IK06	320	1 000	124 x 122 x 29	
FL COMP V 20W 830 SYM 100 WT		100 x 100	≥ 80	< 10 %	IK06	320	1 000	124 x 122 x 29	
FL COMP V 20W 840 SYM 100 BK		100 x 100	≥ 80	< 10 %	IK06	320	1 000	124 x 122 x 29	
FL COMP V 20W 840 SYM 100 WT		100 x 100	≥ 80	< 10 %	IK06	320	1 000	124 x 122 x 29	
FL COMP V 20W 865 SYM 100 BK		100 x 100	≥ 80	< 10 %	IK06	320	1 000	124 x 122 x 29	
FL COMP V 20W 865 SYM 100 WT		100 x 100	≥ 80	< 10 %	IK06	320	1 000	124 x 122 x 29	
FL COMP V 50W 830 SYM 100 BK		100 x 100	≥ 80	< 10 %	IK06	560	1 000	160 x 170 x 36	
FL COMP V 50W 830 SYM 100 WT		100 x 100	≥ 80	< 10 %	IK06	560	1 000	160 x 170 x 36	
FL COMP V 50W 840 SYM 100 BK		100 x 100	≥ 80	< 10 %	IK06	560	1 000	160 x 170 x 36	
FL COMP V 50W 840 SYM 100 WT		100 x 100	≥ 80	< 10 %	IK06	560	1 000	160 x 170 x 36	
FL COMP V 50W 865 SYM 100 BK		100 x 100	≥ 80	< 10 %	IK06	560	1 000	160 x 170 x 36	
FL COMP V 50W 865 SYM 100 WT		100 x 100	≥ 80	< 10 %	IK06	560	1 000	160 x 170 x 36	
FL COMP V 90W 830 SYM 100 BK		100 x 100	≥ 80	< 10 %	IK08	1520	1 000	236 x 255 x 40	
FL COMP V 90W 840 SYM 100 BK		100 x 100	≥ 80	< 10 %	IK08	1520	1 000	236 x 255 x 40	
FL COMP V 90W 865 SYM 100 BK		100 x 100	≥ 80	< 10 %	IK08	1520	1 000	236 x 255 x 40	
FL COMP V 135W 830 SYM 100 BK		100 x 100	≥ 80	< 10 %	IK08	2210	1 000	274 x 305 x 48	
FL COMP V 135W 840 SYM 100 BK		100 x 100	≥ 80	< 10 %	IK08	2210	1 000	274 x 305 x 48	
FL COMP V 135W 865 SYM 100 BK		100 x 100	≥ 80	< 10 %	IK08	2210	1 000	274 x 305 x 48	
FL COMP V 180W 830 SYM 100 BK		100 x 100	≥ 80	< 10 %	IK08	2910	1 000	300 x 340 x 55	
FL COMP V 180W 840 SYM 100 BK		100 x 100	≥ 80	< 10 %	IK08	2910	1 000	300 x 340 x 55	
FL COMP V 180W 865 SYM 100 BK		100 x 100	≥ 80	< 10 %	IK08	2910	1 000	300 x 340 x 55	

<sup>3</sup> t[h]: L70/B50 @ 25 °C (T<sub>a</sub>) / t[h]: L80/B10 @ 25 °C (T<sub>a</sub>)

## FLOODLIGHT COMPACT SENSOR

Floodlight with motion and daylight sensor

Product name	Segmentation	GTIN (EAN)	RE-PLACEMENT FOR	W	lm	lm/W	K	L70 <sup>3</sup>	L80 <sup>3</sup>
FL COMP SEN V 10W 830 SYM 100 BK	■	4058075575226	80 W HAL	10	900	90	3000	50 000	35 000
FL COMP SEN V 10W 840 SYM 100 BK	■	4058075575240	80 W HAL	10	1000	100	4000	50 000	35 000
FL COMP SEN V 20W 830 SYM 100 BK	■	4058075575264	160 W HAL	20	1800	90	3000	50 000	35 000
FL COMP SEN V 20W 840 SYM 100 BK	■	4058075575288	160 W HAL	20	2000	100	4000	50 000	35 000
FL COMP SEN V 50W 830 SYM 100 BK	■	4058075575301	400 W HAL	50	4500	90	3000	50 000	35 000
FL COMP SEN V 50W 840 SYM 100 BK	■	4058075575325	400 W HAL	50	5000	100	4000	50 000	35 000

Product name								L x W x H [mm] Ø x H [mm]
FL COMP SEN V 10W 830 SYM 100 BK		100 x 100	≥80	<10 %	IK06	330	1 000	153 x 109 x 53
FL COMP SEN V 10W 840 SYM 100 BK		100 x 100	≥80	<10 %	IK06	330	1 000	153 x 109 x 53
FL COMP SEN V 20W 830 SYM 100 BK		100 x 100	≥80	<10 %	IK06	380	1 000	165 x 122 x 53
FL COMP SEN V 20W 840 SYM 100 BK		100 x 100	≥80	<10 %	IK06	380	1 000	165 x 122 x 53
FL COMP SEN V 50W 830 SYM 100 BK		100 x 100	≥80	<10 %	IK06	630	1 000	202 x 170 x 60
FL COMP SEN V 50W 840 SYM 100 BK		100 x 100	≥80	<10 %	IK06	630	1 000	202 x 170 x 60

## SENSOR PROPERTIES

Product name	Type of sensor	Sensor technology	Detection threshold of daylight sensor	Detection range of motion sensor	Sensor detection angle	Sensor controlled switching time
<b>FLOODLIGHT COMPACT SENSOR 10W</b>	Motion/Light	Passive infrared/Photocell	10...2000 lx	2...12 m	40°...160 °	10 s...12 min
<b>FLOODLIGHT COMPACT SENSOR 20W</b>	Motion/Light	Passive infrared/Photocell	10...2000 lx	2...12 m	40°...160 °	10 s...12 min
<b>FLOODLIGHT COMPACT SENSOR 50W</b>	Motion/Light	Passive infrared/Photocell	10...2000 lx	2...12 m	40°...160 °	10 s...12 min

<sup>3</sup> t[h]: L70/B50 @ 25 °C (T<sub>a</sub>) / t[h]: L80/B10 @ 25 °C (T<sub>a</sub>)





# FLOODLIGHT MAX LUMINAIRE HEAD

High-power floodlight for large area and sports lighting



## PRODUCT FEATURES

- Modular, high-power floodlight with up to 137 lm/W
- Joint or separate installation possible with Floodlight Max power supply
- Available with 10°, 30° and 60° symmetric beam angles, and 50° × 110° asymmetric light distribution
- Mounting bracket for up to 180° tilting
- Highly-transparent, tempered glass diffuser

## PRODUCT BENEFITS

- Very bright, robust and durable
- Energy savings of up to 45% compared to luminaires that use conventional discharge lamps
- Easy dimming up to 50% by wiring
- No upper light output ratio (ULOR 0%) when mounted at 0° tilt
- 5 years guarantee

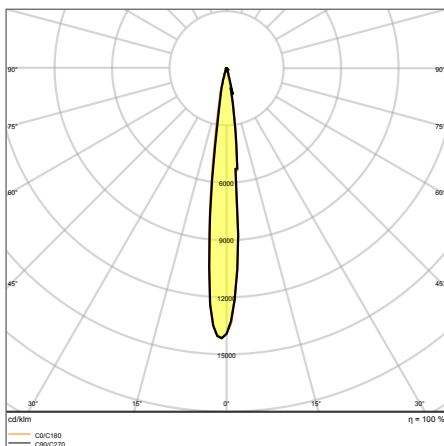
## AREAS OF APPLICATION

- Outdoor use (IP66)
- Lighting of large areas
- Sports facilities
- Construction areas
- Direct replacement for luminaires using HID lamps

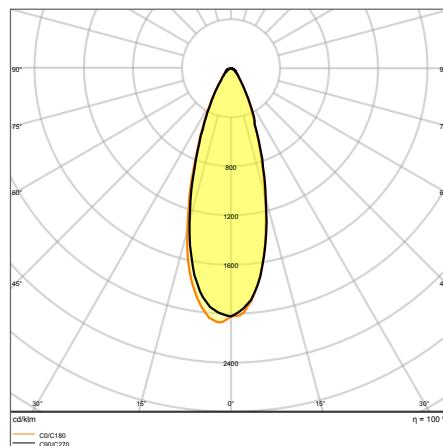
## EQUIPMENT / ACCESSORIES

- Operation only with separately available official matching power supply

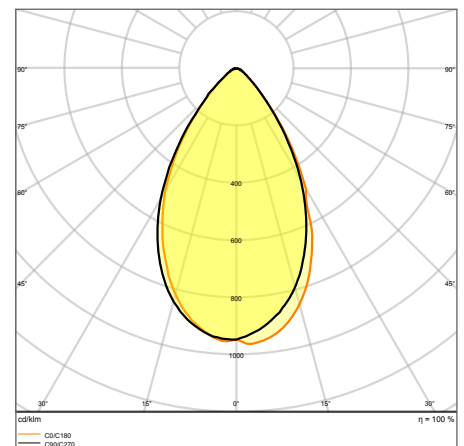
## FURTHER PRODUCT DETAILS



FL MAX LUM P 600W 757 SYM 10 WAL



FL MAX LUM P 600W 757 SYM 30 WAL

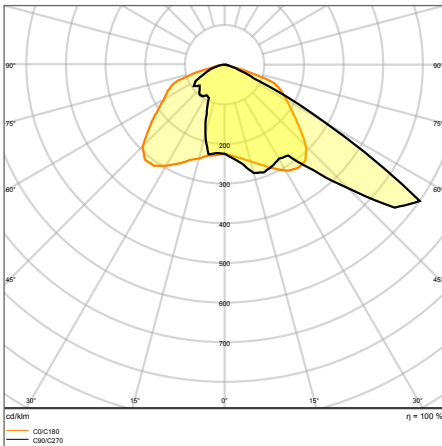


FL MAX LUM P 600W 757 SYM 60 WAL

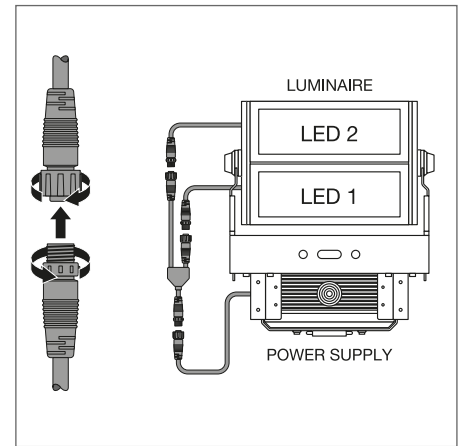
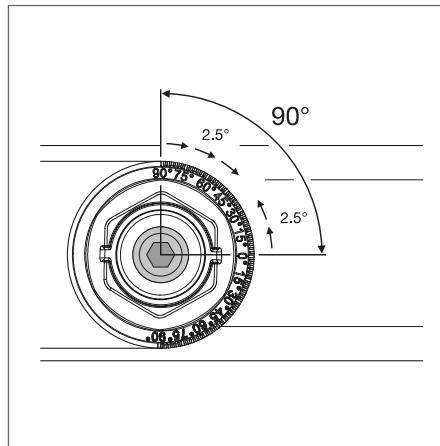
<sup>1</sup> Refer to [www.ledvance.com/guarantee](http://www.ledvance.com/guarantee) for precise conditions

The pictures shown in the catalog are for illustration purposes only. For information on size and color, please refer to the product table.

## FURTHER PRODUCT DETAILS



FL MAX LUM P 600W 757 ASYM50x110WAL



## FLOODLIGHT MAX SYM 10

High-power floodlight with 10° symmetric light distribution for large area and sports lighting

Product name	Segmentation	GTIN (EAN)	W	lm	lm/W	K	L70 <sup>2</sup>	L80 <sup>2</sup>
FL MAX LUM P 600W 757 SYM 10 WAL	■	4058075580589	600	78 000	130	5 700	100 000	75 000
FL MAX LUM P 900W 757 SYM 10 WAL	■	4058075580626	900	117 000	130	5 700	100 000	75 000
FL MAX LUM P 1200W 757 SYM 10 WAL	■	4058075580664	1200	155 000	129	5 700	100 000	75 000

Product name	Beam Angle	CRI	FLICKER VALUE	IK	Person	L x W x H [mm] Ø x H [mm]	Light Bulb No.
FL MAX LUM P 600W 757 SYM 10 WAL	10	≥ 70	< 3%	IK08	15 800	472 x 591 x 279	1
FL MAX LUM P 900W 757 SYM 10 WAL	10	≥ 70	< 3%	IK08	20 800	660 x 591 x 279	2
FL MAX LUM P 1200W 757 SYM 10 WAL	10	≥ 70	< 3%	IK08	31 900	841 x 591 x 282	3

## FLOODLIGHT MAX SYM 30

High-power floodlight with 30° symmetric light distribution for large area and sports lighting

Product name	Segmentation	GTIN (EAN)	W	lm	lm/W	K	L70 <sup>2</sup>	L80 <sup>2</sup>
FL MAX LUM P 600W 757 SYM 30 WAL	■	4058075580596	600	81 000	135	5 700	100 000	75 000
FL MAX LUM P 900W 757 SYM 30 WAL	■	4058075580633	900	121 000	134	5 700	100 000	75 000
FL MAX LUM P 1200W 757 SYM 30 WAL	■	4058075580671	1200	162 000	135	5 700	100 000	75 000

Product name	Beam Angle	CRI	FLICKER VALUE	IK	Person	L x W x H [mm] Ø x H [mm]	Light Bulb No.
FL MAX LUM P 600W 757 SYM 30 WAL	30	≥ 70	< 3%	IK08	15 800	472 x 591 x 279	1
FL MAX LUM P 900W 757 SYM 30 WAL	30	≥ 70	< 3%	IK08	20 800	660 x 591 x 279	2
FL MAX LUM P 1200W 757 SYM 30 WAL	30	≥ 70	< 3%	IK08	31 900	841 x 591 x 282	3

<sup>2</sup> t[h]: L70/B50 @ 25 °C (T<sub>a</sub>) / t[h]: L80/B10 @ 25 °C (T<sub>a</sub>)

### FLOODLIGHT MAX SYM 60

High-power floodlight with 60° symmetric light distribution for large area and sports lighting

Product name	Segmentation	GTIN (EAN)	W	lm	lm/W	K	L70 <sup>2</sup>	L80 <sup>2</sup>
FL MAX LUM P 600W 757 SYM 60 WAL	■	4058075580602	600	80 500	134	5 700	100 000	75 000
FL MAX LUM P 900W 757 SYM 60 WAL	■	4058075580640	900	120 000	133	5 700	100 000	75 000
FL MAX LUM P 1200W 757 SYM 60 WAL	■	4058075580688	1 200	161 000	134	5 700	100 000	75 000

Product name	Beam angle	CRI	FLICKER VALUE	IK	IP	L x W x H [mm] Ø x H [mm]	No.
FL MAX LUM P 600W 757 SYM 60 WAL	60	≥ 70	< 3 %	IK08	15 800	472 x 591 x 279	1
FL MAX LUM P 900W 757 SYM 60 WAL	60	≥ 70	< 3 %	IK08	20 800	660 x 591 x 279	2
FL MAX LUM P 1200W 757 SYM 60 WAL	60	≥ 70	< 3 %	IK08	31 900	841 x 591 x 282	3

### FLOODLIGHT MAX ASYM 50 x 110

High-power floodlight with 50° x 110° asymmetric light distribution for large area and sports lighting

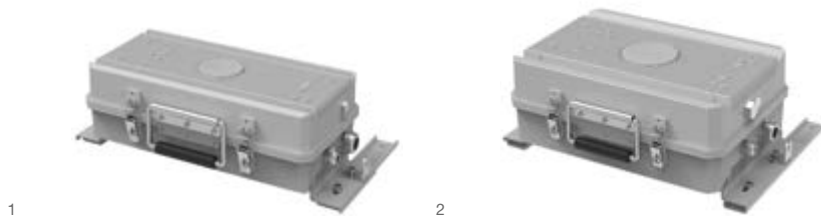
Product name	Segmentation	GTIN (EAN)	W	lm	lm/W	K	L70 <sup>2</sup>	L80 <sup>2</sup>
FL MAX LUM P 600W 757 ASYM 50x110 WAL	■	4058075580619	600	82 000	137	5 700	100 000	75 000
FL MAX LUM P 900W 757 ASYM 50x110 WAL	■	4058075580657	900	123 000	137	5 700	100 000	75 000
FL MAX LUM P 1200W 757 ASYM 50x110 WAL	■	4058075580695	1 200	164 000	137	5 700	100 000	75 000

Product name	Beam angle	CRI	FLICKER VALUE	IK	IP	L x W x H [mm] Ø x H [mm]	No.
FL MAX LUM P 600W 757 ASYM 50x110 WAL	50 x 110	≥ 70	< 3 %	IK08	15 800	472 x 591 x 279	1
FL MAX LUM P 900W 757 ASYM 50x110 WAL	50 x 110	≥ 70	< 3 %	IK08	20 800	660 x 591 x 279	2
FL MAX LUM P 1200W 757 ASYM 50x110 WAL	50 x 110	≥ 70	< 3 %	IK08	31 900	841 x 591 x 282	3

<sup>2</sup> t[h]: L70/B50 @ 25 °C (T<sub>a</sub>) / t[h]: L80/B10 @ 25 °C (T<sub>a</sub>)

# FLOODLIGHT MAX POWER SUPPLY

Power supplies for FLOODLIGHT MAX luminaires



## PRODUCT FEATURES

- Power supply for Floodlight Max luminaire heads
- Joint or separate installation with Floodlight Max luminaire head
- M20 and M25 PG glands for mains cable feed-in
- LED-module wiring by means of pre-installed fast quick release connector
- High surge protection: up to 10 kV (L/N-PE and L-N)

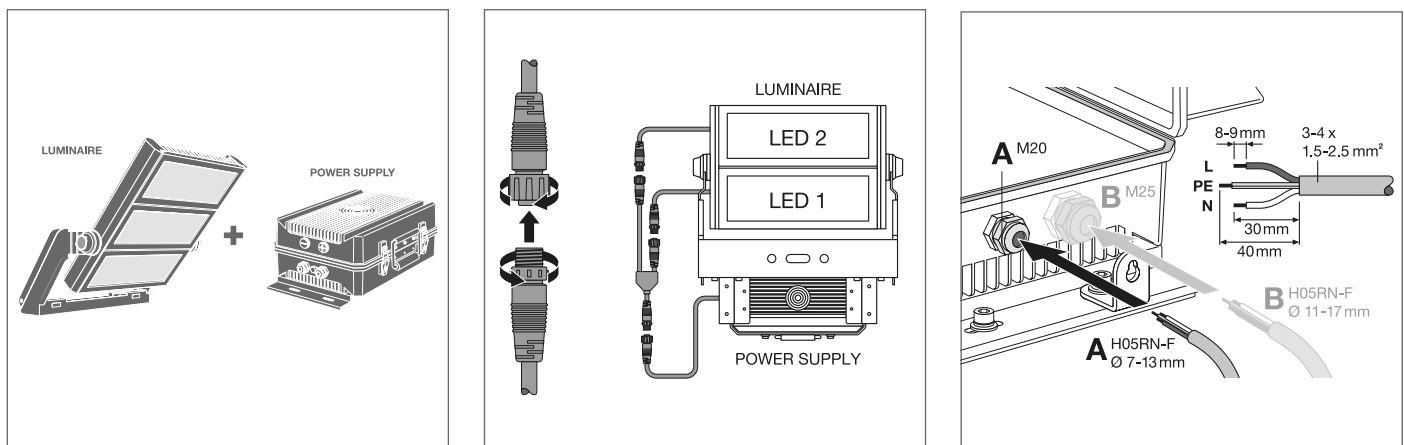
## PRODUCT BENEFITS

- Highly robust and durable
- Quick and easy wiring, due to tool-free housing opening
- Optimized logistic, luminaire head and power supply arrive in individual packaging
- 5 years guarantee

## AREAS OF APPLICATION

- Outdoor use (IP66)
- Sports facilities
- Construction areas

## FURTHER PRODUCT DETAILS



Product name	GTIN (EAN)	W	IK	Lightbulb icon	L × W × H [mm] Ø × H [mm]	Lightbulb icon No.
FL MAX POWER SUPPLY P 600W WAL	4058075580718	600	IK08	5 400	188 × 447 × 146	1
FL MAX POWER SUPPLY P 900W WAL	4058075580732	900	IK08	10 500	270 × 447 × 166	2
FL MAX POWER SUPPLY P 1200W WAL	4058075580749	1 200	IK08	12 600	270 × 447 × 166	2

<sup>1</sup> Refer to [www.ledvance.com/guarantee](http://www.ledvance.com/guarantee) for precise conditions

Floodlight Max Pwer Supplies should only be used to operate official Floodlight Max luminaire heads.

# FLOODLIGHT PERFORMANCE

IP66 floodlight with lens based light distribution up to 140 lm/W



## PRODUCT FEATURES

- Aluminum die-cast housing, black (similar to RAL 9017) with toughened glass
- Robust design: IP66, IK08. -30° to +50° temperature resistance and surge protection < 10 kV
- Integrated breather for preventing condensation inside the luminaire
- Suitable for locations with fire hazards according to EN 60598-2-24 (D-mark)
- 2 m connection cable with open, crimped wire ends for flexible installation

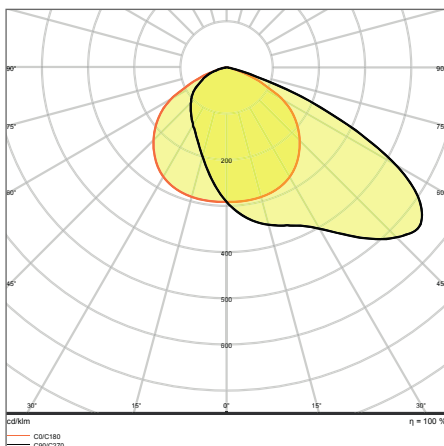
## PRODUCT BENEFITS

- Available in 5 power levels, for replacement of traditional luminaires, up to 2000W (HAL)
- Available in 4 light distributions for optimum illumination of a wide range of applications
- Suitable for wall or mast mounting thanks to angled bracket with a great rotation range
- Highly efficient directional light through single lenses, with up to 140 lm/W luminous efficacy
- 5 years guarantee

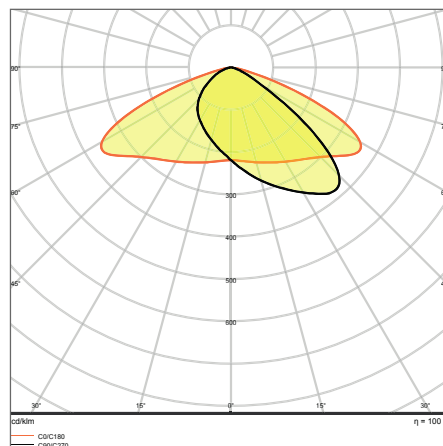
## AREAS OF APPLICATION

- Direct replacement for luminaires using HID lamps
- Outdoor use (IP66)
- Public areas
- Industry
- Sports facilities

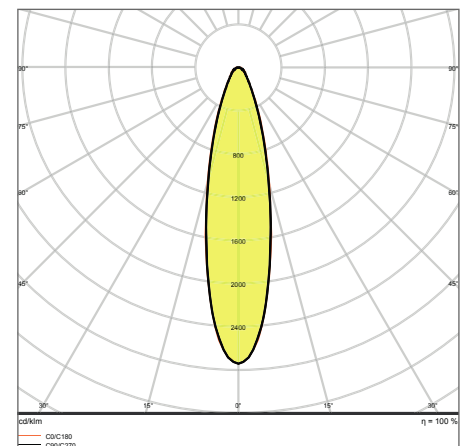
## FURTHER PRODUCT DETAILS



FL PFM ASYM 55x110 290W 4000K BK



FL PFM ASYM 45x140 290W 4000K BK

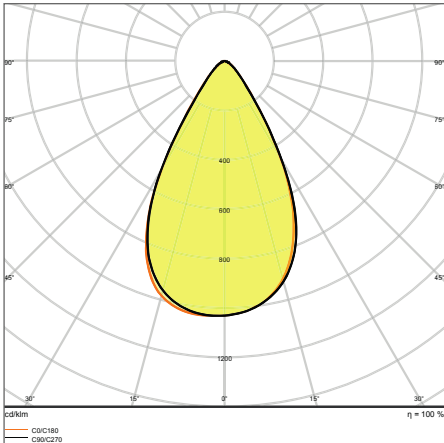


FL PFM SYM R30 290W 4000K BK

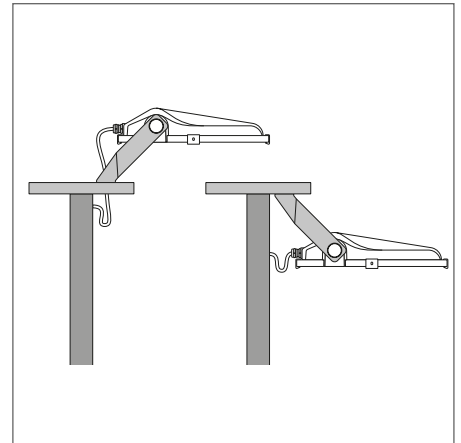
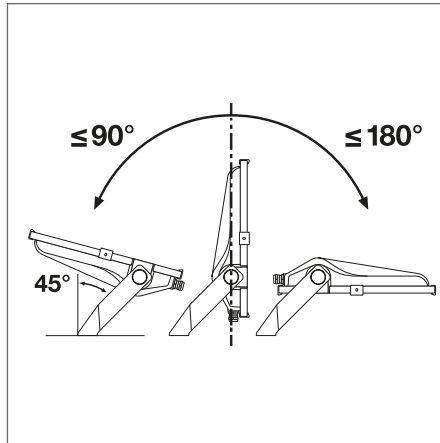
<sup>1</sup> Refer to [www.ledvance.com/guarantee](http://www.ledvance.com/guarantee) for precise conditions

The pictures shown in the catalog are for illustration purposes only. For information on size and color, please refer to the product table.

## FURTHER PRODUCT DETAILS



FL PFM SYM 60 290W4000K BK



## FLOODLIGHT PERFORMANCE ASYM 55 × 110

Floodlight with wide beam, asymmetric light distribution for various application areas

Product name	Segmentation	GTIN (EAN)	RE- PLACE- MENT FOR	W	lm	lm/W	K	L70 <sup>2</sup>	L80 <sup>2</sup>
FL PFM ASYM 55x110 50 W 3000 K BK	■	4058075353299	500W HAL	50	5800	115	3000	100000	70000
FL PFM ASYM 55x110 50 W 4000 K BK	■	4058075353305	500W HAL	50	6300	125	4000	100000	70000
FL PFM ASYM 55x110 100 W 3000 K BK	■	4058075353312	1000W HAL	100	11900	120	3000	100000	70000
FL PFM ASYM 55x110 100 W 4000 K BK	■	4058075353527	1000W HAL	100	12900	130	4000	100000	70000
FL PFM ASYM 55x110 150 W 3000 K BK	■	4058075353534	1500W HAL	150	18400	125	3000	100000	70000
FL PFM ASYM 55x110 150 W 4000 K BK	■	4058075353541	1500W HAL	150	19900	135	4000	100000	70000
FL PFM ASYM 55x110 200 W 3000 K BK	■	4058075353558	1500W HAL	200	24400	130	3000	100000	70000
FL PFM ASYM 55x110 200 W 4000 K BK	■	4058075353565	1500W HAL	200	26400	140	4000	100000	70000
FL PFM ASYM 55x110 290 W 3000 K BK	■	4058075353572	2000W HAL	290	35600	125	3000	100000	70000
FL PFM ASYM 55x110 290 W 4000 K BK	■	4058075353602	2000W HAL	290	38500	135	4000	100000	70000

Product name	Beam Angle	CRI	FLICKER VALUE	IK	Person icon	CABLE LENGTH [mm]	L × W × H [mm] Ø × H [mm]
FL PFM ASYM 55x110 50 W 3000 K BK	55 × 110	>80	–	IK08	2600	2000	314 × 240 × 63
FL PFM ASYM 55x110 50 W 4000 K BK	55 × 110	>80	–	IK08	2600	2000	314 × 240 × 63
FL PFM ASYM 55x110 100 W 3000 K BK	55 × 110	>80	<10%	IK08	3900	2000	418 × 330 × 77
FL PFM ASYM 55x110 100 W 4000 K BK	55 × 110	>80	<10%	IK08	3900	2000	418 × 330 × 77
FL PFM ASYM 55x110 150 W 3000 K BK	55 × 110	>80	<10%	IK08	4500	2000	451 × 330 × 77
FL PFM ASYM 55x110 150 W 4000 K BK	55 × 110	>80	<10%	IK08	4500	2000	451 × 330 × 77
FL PFM ASYM 55x110 200 W 3000 K BK	55 × 110	>80	<10%	IK08	6300	2000	494 × 395 × 87
FL PFM ASYM 55x110 200 W 4000 K BK	55 × 110	>80	<10%	IK08	6300	2000	494 × 395 × 87
FL PFM ASYM 55x110 290 W 3000 K BK	55 × 110	>80	<10%	IK08	9500	2000	567 × 465 × 97
FL PFM ASYM 55x110 290 W 4000 K BK	55 × 110	>80	<10%	IK08	9500	2000	567 × 465 × 97

<sup>2</sup> t[h]: L70/B50 @ 25 °C (T<sub>a</sub>) / t[h]: L80/B10 @ 25 °C (T<sub>a</sub>)

### FLOODLIGHT PERFORMANCE ASYM 45 × 140

Floodlight with very wide beam, asymmetric light distribution for area lighting

Product name	Segmentation	GTIN (EAN)	RE-PLACEMENT FOR	W	lm	lm/W	K	L70 <sup>2</sup>	L80 <sup>2</sup>
FL PFM ASYM 45x140 50 W 3000 K BK	■	4058075353619	500W HAL	50	5 700	115	3 000	100 000	70 000
FL PFM ASYM 45x140 50 W 4000 K BK	■	4058075353626	500W HAL	50	6 200	125	4 000	100 000	70 000
FL PFM ASYM 45x140 100 W 3000 K BK	■	4058075353633	1 000W HAL	100	11 800	120	3 000	100 000	70 000
FL PFM ASYM 45x140 100 W 4000 K BK	■	4058075353688	1 000W HAL	100	12 800	130	4 000	100 000	70 000
FL PFM ASYM 45x140 150 W 3000 K BK	■	4058075353695	1 500W HAL	150	18 300	120	3 000	100 000	70 000
FL PFM ASYM 45x140 150 W 4000 K BK	■	4058075353701	1 500W HAL	150	19 800	130	4 000	100 000	70 000
FL PFM ASYM 45x140 200 W 3000 K BK	■	4058075353718	1 500W HAL	200	24 200	130	3 000	100 000	70 000
FL PFM ASYM 45x140 200 W 4000 K BK	■	4058075353725	1 500W HAL	200	26 200	140	4 000	100 000	70 000
FL PFM ASYM 45x140 290 W 3000 K BK	■	4058075353732	2 000W HAL	290	35 300	120	3 000	100 000	70 000
FL PFM ASYM 45x140 290 W 4000 K BK	■	4058075353749	2 000W HAL	290	38 200	130	4 000	100 000	70 000

Product name	Beam angle	CRI	FLICKER VALUE	IK	Mounting	CABLE LENGTH [mm]	L × W × H [mm] Ø × H [mm]
FL PFM ASYM 45x140 50 W 3000 K BK	45 × 140	>80	–	IK08	2600	2000	314 × 240 × 63
FL PFM ASYM 45x140 50 W 4000 K BK	45 × 140	>80	–	IK08	2600	2000	314 × 240 × 63
FL PFM ASYM 45x140 100 W 3000 K BK	45 × 140	>80	<10 %	IK08	3900	2000	418 × 330 × 77
FL PFM ASYM 45x140 100 W 4000 K BK	45 × 140	>80	<10 %	IK08	3900	2000	418 × 330 × 77
FL PFM ASYM 45x140 150 W 3000 K BK	45 × 140	>80	<10 %	IK08	4500	2000	451 × 330 × 77
FL PFM ASYM 45x140 150 W 4000 K BK	45 × 140	>80	<10 %	IK08	4500	2000	451 × 330 × 77
FL PFM ASYM 45x140 200 W 3000 K BK	45 × 140	>80	<10 %	IK08	6300	2000	494 × 395 × 87
FL PFM ASYM 45x140 200 W 4000 K BK	45 × 140	>80	<10 %	IK08	6300	2000	494 × 395 × 87
FL PFM ASYM 45x140 290 W 3000 K BK	45 × 140	>80	<10 %	IK08	9500	2000	567 × 465 × 97
FL PFM ASYM 45x140 290 W 4000 K BK	45 × 140	>80	<10 %	IK08	9500	2000	567 × 465 × 97

### FLOODLIGHT PERFORMANCE SYM R30

Floodlight with rotational symmetric light distribution for high mast area lighting

Product name	Segmentation	GTIN (EAN)	RE-PLACEMENT FOR	W	lm	lm/W	K	L70 <sup>2</sup>	L80 <sup>2</sup>
FL PFM SYM R30 150 W 3000 K BK	■	4058075353756	1 500W HAL	150	18 700	125	3 000	100 000	70 000
FL PFM SYM R30 150 W 4000 K BK	■	4058075353763	1 500W HAL	150	20 200	135	4 000	100 000	70 000
FL PFM SYM R30 200 W 3000 K BK	■	4058075353770	1 500W HAL	200	24 800	130	3 000	100 000	70 000
FL PFM SYM R30 200 W 4000 K BK	■	4058075353787	1 500W HAL	200	26 800	140	4 000	100 000	70 000
FL PFM SYM R30 290 W 3000 K BK	■	4058075353794	2 000W HAL	290	36 200	125	3 000	100 000	70 000
FL PFM SYM R30 290 W 4000 K BK	■	4058075353800	2 000W HAL	290	39 100	135	4 000	100 000	70 000

Product name	Beam angle	CRI	FLICKER VALUE	IK	Mounting	CABLE LENGTH [mm]	L × W × H [mm] Ø × H [mm]
FL PFM SYM R30 150 W 3000 K BK	30	>80	<10 %	IK08	4500	2000	451 × 330 × 77
FL PFM SYM R30 150 W 4000 K BK	30	>80	<10 %	IK08	4500	2000	451 × 330 × 77
FL PFM SYM R30 200 W 3000 K BK	30	>80	<10 %	IK08	6300	2000	494 × 395 × 87
FL PFM SYM R30 200 W 4000 K BK	30	>80	<10 %	IK08	6300	2000	494 × 395 × 87
FL PFM SYM R30 290 W 3000 K BK	30	>80	<10 %	IK08	9500	2000	567 × 465 × 97
FL PFM SYM R30 290 W 4000 K BK	30	>80	<10 %	IK08	9500	2000	567 × 465 × 97

<sup>2</sup> t[h]: L70/B50 @ 25 °C (T<sub>a</sub>) / t[h]: L80/B10 @ 25 °C (T<sub>a</sub>)



## FLOODLIGHT PERFORMANCE SYM 60

Floodlight with symmetric light distribution for medium to high mast area lighting

Product name	Segmentation	GTIN (EAN)	RE- PLACE- MENT FOR	W	lm	lm/W	K	L70 <sup>2</sup>	L80 <sup>2</sup>
FL PFM SYM 60 150 W 3000 K BK	■	4058075540989	1 500W HAL	150	19 800	132	3 000	100 000	70 000
FL PFM SYM 60 150 W 4000 K BK	■	4058075540996	1 500W HAL	150	21 000	140	4 000	100 000	70 000
FL PFM SYM 60 200 W 3000 K BK	■	4058075541009	1 500W HAL	200	26 400	132	3 000	100 000	70 000
FL PFM SYM 60 200 W 4000 K BK	■	4058075541016	1 500W HAL	200	28 000	140	4 000	100 000	70 000
FL PFM SYM 60 290 W 3000 K BK	■	4058075541023	2 000W HAL	290	38 300	132	3 000	100 000	70 000
FL PFM SYM 60 290 W 4000 K BK	■	4058075541030	2 000W HAL	290	40 600	140	4 000	100 000	70 000

Product name								L × W × H [mm] Ø × H [mm]
FL PFM SYM 60 150 W 3000 K BK	60 × 60	>80	<10 %	IK08	4 500	2 000	451 × 330 × 77	
FL PFM SYM 60 150 W 4000 K BK	60 × 60	>80	<10 %	IK08	4 500	2 000	451 × 330 × 77	
FL PFM SYM 60 200 W 3000 K BK	60 × 60	>80	<10 %	IK08	6 300	2 000	494 × 395 × 87	
FL PFM SYM 60 200 W 4000 K BK	60 × 60	>80	<10 %	IK08	6 300	2 000	494 × 395 × 87	
FL PFM SYM 60 290 W 3000 K BK	60 × 60	>80	<10 %	IK08	9 500	2 000	567 × 465 × 97	
FL PFM SYM 60 290 W 4000 K BK	60 × 60	>80	<10 %	IK08	9 500	2 000	567 × 465 × 97	

<sup>2</sup> t[h]: L70/B50 @ 25 °C (T<sub>a</sub>) / t[h]: L80/B10 @ 25 °C (T<sub>a</sub>)

## FLOODLIGHT AREA

Floodlight with lens based asymmetric light distribution up to 140 lm/W



### PRODUCT FEATURES

- Asymmetric light distribution: 48° x 92°
- Robust design: IP65, IK08, -30° to +50° temperature resistance, up to 6 kV surge protection (L/N-PE)
- Integrated breather for preventing condensation inside the luminaire
- Pre-installed, flexible 1m cable (H05RN-F)

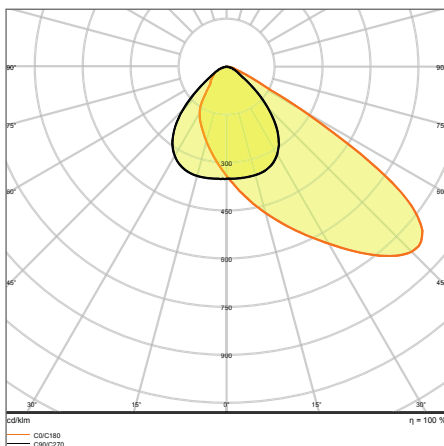
### PRODUCT BENEFITS

- Energy savings of up to 90 % compared to halogen lamp floodlights
- Energy savings of up to 45 % compared to luminaires that use conventional discharge lamps
- High light uniformity
- No upper light output ration (ULOR 0 %) when mounted at 0° tilt
- 5 years guarantee

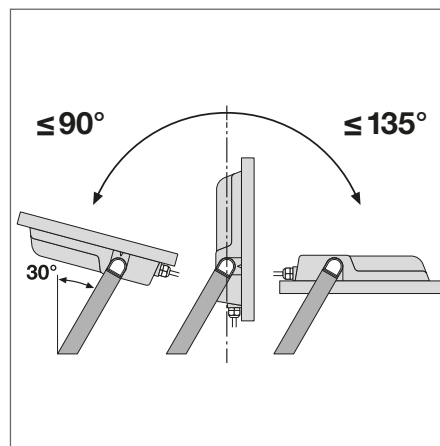
### AREAS OF APPLICATION

- Direct replacement for luminaires using HID lamps
- Outdoor use (IP65)
- Public areas & parking
- Industry
- Sports facilities

## FURTHER PRODUCT DETAILS



FL AREA 105W 840 ASYM 48X92 BK



<sup>1</sup> Refer to [www.ledvance.com/guarantee](http://www.ledvance.com/guarantee) for precise conditions

The pictures shown in the catalog are for illustration purposes only. For information on size and color, please refer to the product table.

Product name	Segmentation	GTIN (EAN)	RE- PLACE- MENT FOR	W	lm	lm/W	K	L70 <sup>2</sup>	L80 <sup>2</sup>
FL AREA ASYM 48x92 72 W 3000 K BK	■	4058075539730	750 W HAL	72	9 200	129	3 000	70 000	50 000
FL AREA ASYM 48x92 72 W 4000 K BK	■	4058075539747	750 W HAL	72	10 000	139	4 000	70 000	50 000
FL AREA ASYM 48x92 105 W 3000 K BK	■	4058075539754	1 000 W HAL	105	13 750	132	3 000	70 000	50 000
FL AREA ASYM 48x92 105 W 4000 K BK	■	4058075539761	1 000 W HAL	105	15 000	143	4 000	70 000	50 000
FL AREA ASYM 48x92 145 W 3000 K BK	■	4058075539778	1 500 W HAL	145	18 400	129	3 000	70 000	50 000
FL AREA ASYM 48x92 145 W 4000 K BK	■	4058075539785	1 500 W HAL	145	20 000	138	4 000	70 000	50 000

Product name								L x W x H [mm] Ø x H [mm]
FL AREA ASYM 48x92 72 W 3000 K BK		48 x 92	≥ 80	< 5 %	IK08	3 700	1 000	381 x 290 x 59
FL AREA ASYM 48x92 72 W 4000 K BK		48 x 92	≥ 80	< 5 %	IK08	3 700	1 000	381 x 290 x 59
FL AREA ASYM 48x92 105 W 3000 K BK		48 x 92	≥ 80	< 5 %	IK08	4 800	1 000	418 x 322 x 60
FL AREA ASYM 48x92 105 W 4000 K BK		48 x 92	≥ 80	< 5 %	IK08	4 800	1 000	418 x 322 x 60
FL AREA ASYM 48x92 145 W 3000 K BK		48 x 92	≥ 80	< 5 %	IK08	6 200	1 000	454 x 354 x 62
FL AREA ASYM 48x92 145 W 4000 K BK		48 x 92	≥ 80	< 5 %	IK08	6 200	1 000	454 x 354 x 62

<sup>2</sup> t[h]: L70/B50 @ 25 °C (T<sub>a</sub>) / t[h]: L80/B10 @ 25 °C (T<sub>a</sub>)

# STREETLIGHTS

BRIGHT AND EFFICIENT LED ILLUMINATION FOR SAFETY ON ROADS, CAR PARKS AND OUTDOOR AREAS

## STREETLIGHT FLEX



Page 182

STREETLIGHT FLEX SMALL, MEDIUM & LARGE

PERFORMANCE CLASS



### HIGHLY FLEXIBLE AND EFFICIENT STREETLIGHTS

- Modern and durable design for long lasting performance, up to 100 000 h L90B10 (at 25 °C)
- Extremely high efficiency, up to 155 lm/W, for great TCO in many replacement scenarios
- Broad range for wide application fit in road lighting and parking: 7 LED configurations, 3 CCTs, 2 beam angles

## STREETLIGHT FLEX ACCESSORIES



Page 188

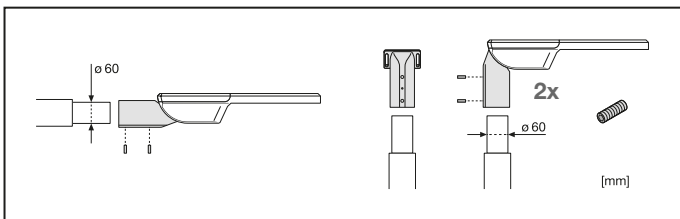
PERFORMANCE CLASS



### MOUNTING ACCESSORIES FOR INCREASED VERSATILITY

- Larger pole adapter, suitable for 76 mm poles
- Reduction piece, enabling the standard adapter to be installed on 42 mm poles
- Suitable for all Streetlight Flex types

## VERY SIMPLE AND FLEXIBLE INSTALLATION



- Pole adapter for 60 mm pole diameter is included as standard with all Streetlight Flex luminaires
- The flexible design allows for either side-entry or post-top installation of the luminaire



## STREETLIGHT FLEX: EFFICIENT, DURABLE, FLEXIBLE

Designed for ease of installation and featuring materials of the highest quality, an extremely long service life and two different light distribution patterns, Streetlight Flex is our efficient and flexible answer to the high demands placed on modern street and parking lot lighting.

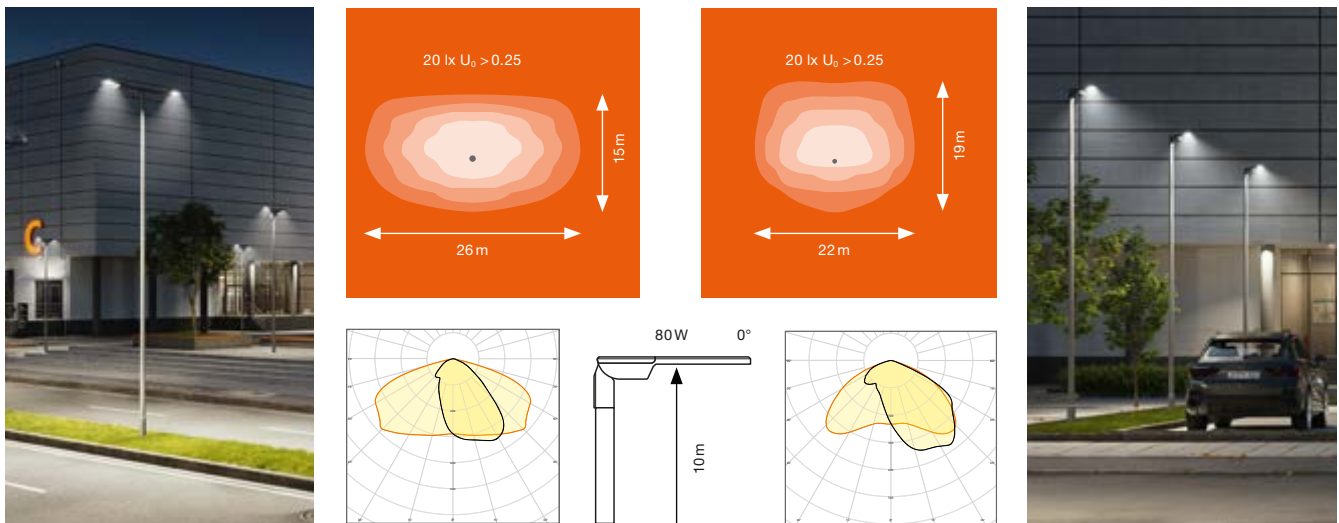
### LIGHT DISTRIBUTION OPTIONS

#### RV25ST light distribution

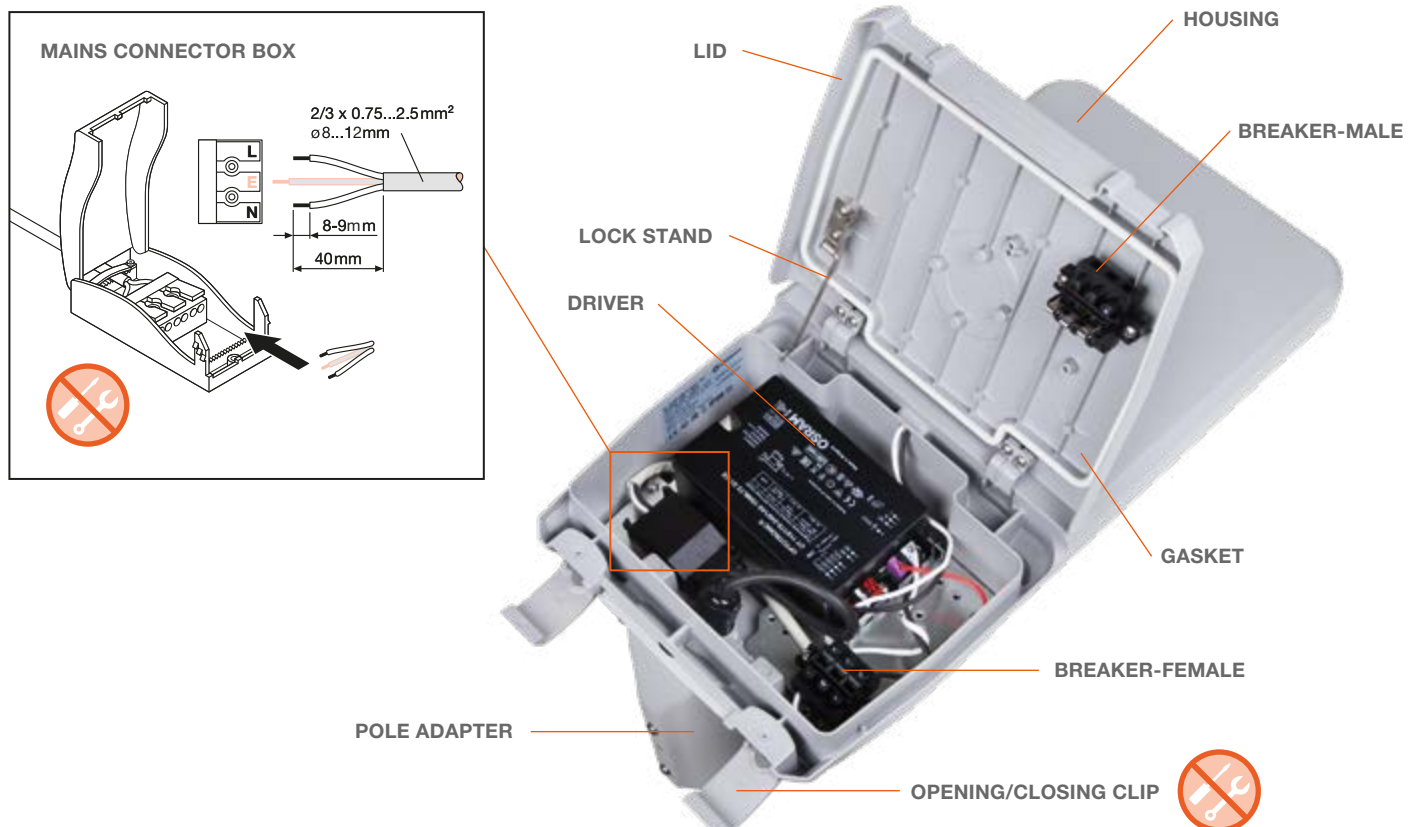
- For normal roads with a typical width equal to or greater than the road height (width approx. 1 to 1.25 × pole height)
- For rectangular-shaped parking areas in front of the pole

#### RW35ST light distribution

- For very wide roads with road width greater than the pole height
- For square-shaped parking and area lighting in front of the pole



### WIRING IS TOOL-FREE, FAST AND CONVENIENT



# STREETLIGHT FLEX SMALL

IP66 streetlight with up to 144 lm/W



## PRODUCT FEATURES

- High luminous efficacy: up to 144 lm/W
- Very long lifetime (L90/B10): Up to 100 000 h (at 25 °C)
- Spigot included, suitable for 48...60 mm diameter poles
- Adjustable spigot for both side-entry and post-top installation
- +/-15° tilt angle adjustment without opening the housing

## PRODUCT BENEFITS

- Durable IP66 & IK08 design and highest quality component selection for long lasting performance
- Easy installation due to tool-free housing opening and push button wiring terminal
- High light uniformity
- No upper light output ratio (ULOR 0 %) when mounted at 0° tilt
- 5 years guarantee

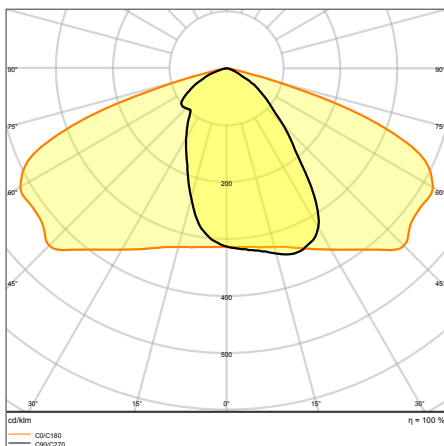
## AREAS OF APPLICATION

- Outdoor use (IP66)
- M-, C- and P-class roads acc. to EN 13201
- Parking
- Public areas
- Industry

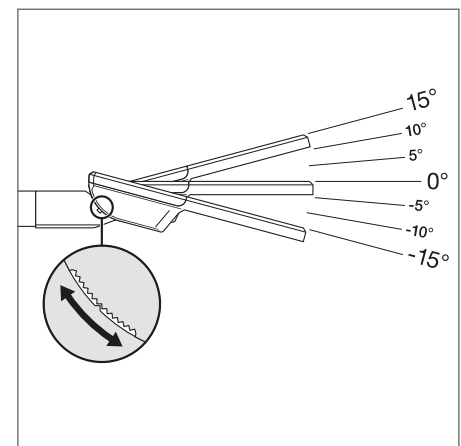
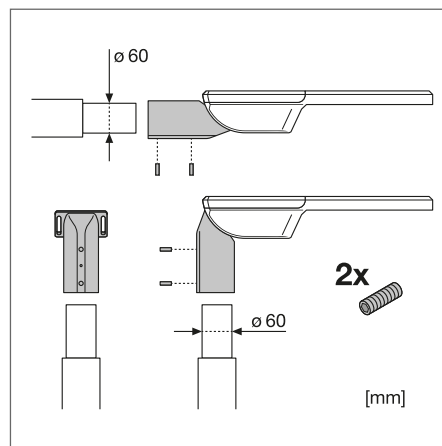
## EQUIPMENT / ACCESSORIES

- Spigot for 42 and 76 mm poles available separately

## FURTHER PRODUCT DETAILS



SL FLEX SM RV25ST P 36W 740 WAL



<sup>1</sup> Refer to [www.ledvance.com/guarantee](http://www.ledvance.com/guarantee) for precise conditions

The pictures shown in the catalog are for illustration purposes only. For information on size and color, please refer to the product table.

## STREETLIGHT FLEX SMALL RV25ST

Very wide light distribution for general road lighting

Product name	Segmentation	GTIN (EAN)	W	lm	lm/W	K	L90 <sup>2</sup>
SL FLEX SM RV25ST P 13W 727 WAL	■	4058075552234	13	1650	127	2700	100 000
SL FLEX SM RV25ST P 13W 730 WAL	■	4058075552241	13	1700	131	3000	100 000
SL FLEX SM RV25ST P 13W 740 WAL	■	4058075552258	13	1780	137	4000	100 000
SL FLEX SM RV25ST P 25W 727 WAL	■	4058075552265	25	3270	131	2700	100 000
SL FLEX SM RV25ST P 25W 730 WAL	■	4058075552272	25	3370	135	3000	100 000
SL FLEX SM RV25ST P 25W 740 WAL	■	4058075552289	25	3550	141	4000	100 000
SL FLEX SM RV25ST P 36W 727 WAL	■	4058075552296	36	4850	135	2700	100 000
SL FLEX SM RV25ST P 36W 730 WAL	■	4058075552302	36	4950	138	3000	100 000
SL FLEX SM RV25ST P 36W 740 WAL	■	4058075552319	36	5180	144	4000	100 000

Product name							L × W × H [mm] Ø × H [mm]
SL FLEX SM RV25ST P 13W 727 WAL		25 × 145	70	≤ 10 %	IK08	4400	445 × 250 × 90
SL FLEX SM RV25ST P 13W 730 WAL		25 × 145	70	≤ 10 %	IK08	4400	445 × 250 × 90
SL FLEX SM RV25ST P 13W 740 WAL		25 × 145	70	≤ 10 %	IK08	4400	445 × 250 × 90
SL FLEX SM RV25ST P 25W 727 WAL		25 × 145	70	≤ 10 %	IK08	4500	445 × 250 × 90
SL FLEX SM RV25ST P 25W 730 WAL		25 × 145	70	≤ 10 %	IK08	4500	445 × 250 × 90
SL FLEX SM RV25ST P 25W 740 WAL		25 × 145	70	≤ 10 %	IK08	4500	445 × 250 × 90
SL FLEX SM RV25ST P 36W 727 WAL		25 × 145	70	≤ 10 %	IK08	4500	445 × 250 × 90
SL FLEX SM RV25ST P 36W 730 WAL		25 × 145	70	≤ 10 %	IK08	4500	445 × 250 × 90
SL FLEX SM RV25ST P 36W 740 WAL		25 × 145	70	≤ 10 %	IK08	4500	445 × 250 × 90

<sup>2</sup> t[h]: L90/B10 @ 25 °C (T<sub>a</sub>)

# STREETLIGHT FLEX MEDIUM

IP66 streetlight with up to 147 lm/W



## PRODUCT FEATURES

- High luminous efficacy: up to 147 lm/W
- Very long lifetime (L90/B10): Up to 100 000 h (at 25 °C)
- Spigot included, suitable for 48...60 mm diameter poles
- Adjustable spigot for both side-entry and post-top installation
- +/-15° tilt angle adjustment without opening the housing

## PRODUCT BENEFITS

- Durable IP66 & IK08 design and highest quality component selection for long lasting performance
- Easy installation due to tool-free housing opening and push button wiring terminal
- High light uniformity
- No upper light output ratio (ULOR 0 %) when mounted at 0° tilt
- 5 years guarantee

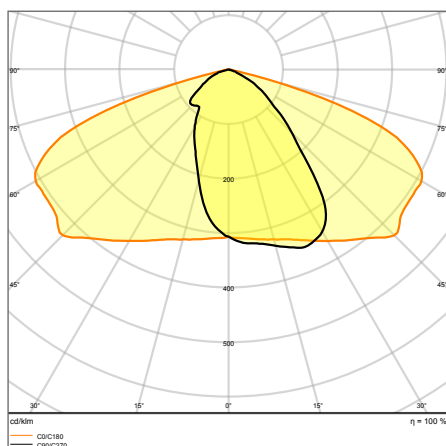
## AREAS OF APPLICATION

- Outdoor use (IP66)
- M-, C- and P-class roads acc. to EN 13201
- Parking
- Public areas
- Industry

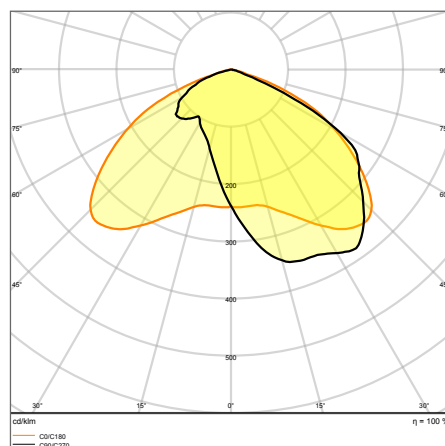
## EQUIPMENT / ACCESSORIES

- Spigot for 42 and 76 mm poles available separately

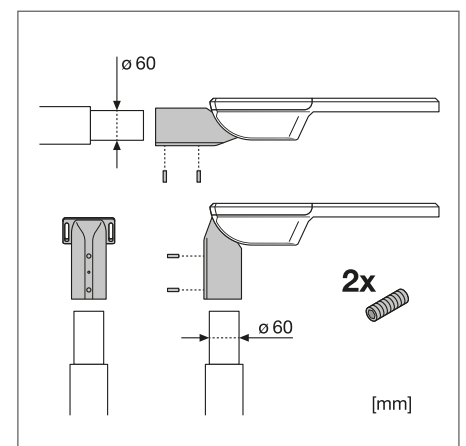
## FURTHER PRODUCT DETAILS



SL FLEX MD RV25ST P 80W 740 WAL



SL FLEX MD RW35ST P 80W 740 WAL



<sup>1</sup> Refer to [www.ledvance.com/guarantee](http://www.ledvance.com/guarantee) for precise conditions

The pictures shown in the catalog are for illustration purposes only. For information on size and color, please refer to the product table.



## STREETLIGHT FLEX MEDIUM RV25ST

Very wide light distribution for general road lighting

Product name	Segmentation	GTIN (EAN)	W	lm	lm/W	K	L90 <sup>2</sup>
SL FLEX MD RV25ST P 58W 727 WAL	■	4058075552326	58	7750	134	2700	100000
SL FLEX MD RV25ST P 58W 730 WAL	■	4058075552333	58	8250	142	3000	100000
SL FLEX MD RV25ST P 58W 740 WAL	■	4058075552340	58	8500	147	4000	100000
SL FLEX MD RV25ST P 80W 727 WAL	■	4058075552357	80	10550	132	2700	100000
SL FLEX MD RV25ST P 80W 730 WAL	■	4058075552371	80	11400	143	3000	100000
SL FLEX MD RV25ST P 80W 740 WAL	■	4058075552395	80	11650	146	4000	100000

Product name							L × W × H [mm] Ø × H [mm]
SL FLEX MD RV25ST P 58W 727 WAL		25 × 145	70	≤ 10 %	IK08	5 100	496 × 250 × 90
SL FLEX MD RV25ST P 58W 730 WAL		25 × 145	70	≤ 10 %	IK08	5 100	496 × 250 × 90
SL FLEX MD RV25ST P 58W 740 WAL		25 × 145	70	≤ 10 %	IK08	5 100	496 × 250 × 90
SL FLEX MD RV25ST P 80W 727 WAL		25 × 145	70	≤ 10 %	IK08	5 600	496 × 250 × 90
SL FLEX MD RV25ST P 80W 730 WAL		25 × 145	70	≤ 10 %	IK08	5 600	496 × 250 × 90
SL FLEX MD RV25ST P 80W 740 WAL		25 × 145	70	≤ 10 %	IK08	5 600	496 × 250 × 90

## STREETLIGHT FLEX MEDIUM RW35ST

Wide light distribution optimized for wider roads and area lighting

Product name	Segmentation	GTIN (EAN)	W	lm	lm/W	K	L90 <sup>2</sup>
SL FLEX MD RW35ST P 80W 727 WAL	■	4058075552364	80	10500	131	2700	100000
SL FLEX MD RW35ST P 80W 730 WAL	■	4058075552388	80	11300	141	3000	100000
SL FLEX MD RW35ST P 80W 740 WAL	■	4058075552401	80	11500	144	4000	100000

Product name							L × W × H [mm] Ø × H [mm]
SL FLEX MD RW35ST P 80W 727 WAL		35 × 135	70	≤ 10 %	IK08	5 600	496 × 250 × 90
SL FLEX MD RW35ST P 80W 730 WAL		35 × 135	70	≤ 10 %	IK08	5 600	496 × 250 × 90
SL FLEX MD RW35ST P 80W 740 WAL		35 × 135	70	≤ 10 %	IK08	5 600	496 × 250 × 90

<sup>2</sup> t[h]: L90/B10 @ 25 °C (T<sub>a</sub>)

# STREETLIGHT FLEX LARGE

IP66 streetlight with up to 155 lm/W



## PRODUCT FEATURES

- High luminous efficacy: up to 155 lm/W
- Very long lifetime (L90/B10): Up to 100 000 h (at 25 °C)
- Spigot included, suitable for 48...60 mm diameter poles
- Adjustable spigot for both side-entry and post-top installation
- +/-15° tilt angle adjustment without opening the housing

## PRODUCT BENEFITS

- Durable IP66 & IK08 design and highest quality component selection for long lasting performance
- Easy installation due to tool-free housing opening and push button wiring terminal
- High light uniformity
- No upper light output ratio (ULOR 0 %) when mounted at 0° tilt
- 5 years guarantee

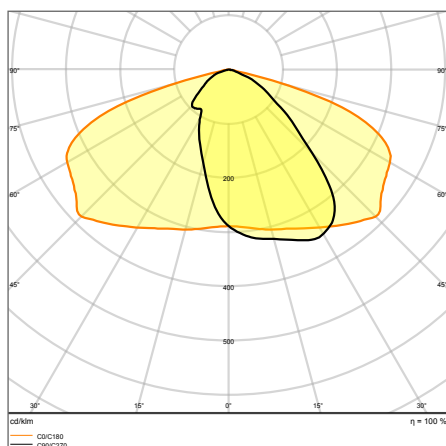
## AREAS OF APPLICATION

- Outdoor use (IP66)
- M-, C- and P-class roads acc. to EN 13201
- Parking
- Public areas
- Industry

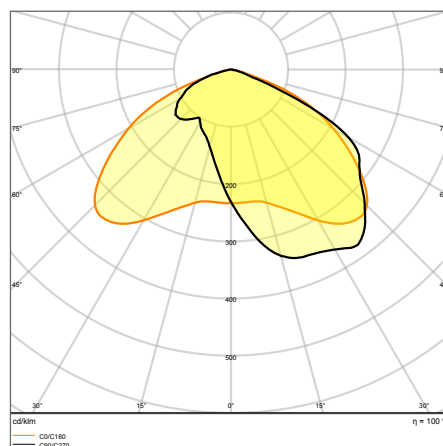
## EQUIPMENT / ACCESSORIES

- Spigot for 42 and 76 mm poles available separately

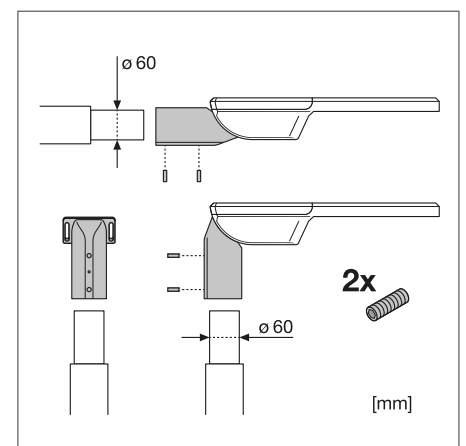
## FURTHER PRODUCT DETAILS



SL FLEX LA RV25ST P 158W 740 WAL



SL FLEX LA RW35ST P 158W 740 WAL



<sup>1</sup> Refer to [www.ledvance.com/guarantee](http://www.ledvance.com/guarantee) for precise conditions

The pictures shown in the catalog are for illustration purposes only. For information on size and color, please refer to the product table.

## STREETLIGHT FLEX LARGE RV25ST

Very wide light distribution for general road lighting

Product name	Segmentation	GTIN (EAN)	W	lm	lm/W	K	L90 <sup>2</sup>
SL FLEX LA RV25ST P 110W 727 WAL	■	4058075552418	110	15250	139	2700	100000
SL FLEX LA RV25ST P 110W 730 WAL	■	4058075552432	110	16500	150	3000	100000
SL FLEX LA RV25ST P 110W 740 WAL	■	4058075552456	110	16800	153	4000	100000
SL FLEX LA RV25ST P 158W 727 WAL	■	4058075552470	158	21150	134	2700	100000
SL FLEX LA RV25ST P 158W 730 WAL	■	4058075552494	158	23350	148	3000	100000
SL FLEX LA RV25ST P 158W 740 WAL	■	4058075552517	158	24450	155	4000	100000

Product name							L x W x H [mm] Ø x H [mm]
SL FLEX LA RV25ST P 110W 727 WAL		25 x 145	70	≤ 10 %	IK08	7700	617 x 300 x 90
SL FLEX LA RV25ST P 110W 730 WAL		25 x 145	70	≤ 10 %	IK08	7700	617 x 300 x 90
SL FLEX LA RV25ST P 110W 740 WAL		25 x 145	70	≤ 10 %	IK08	7700	617 x 300 x 90
SL FLEX LA RV25ST P 158W 727 WAL		25 x 145	70	≤ 10 %	IK08	7700	617 x 300 x 90
SL FLEX LA RV25ST P 158W 730 WAL		25 x 145	70	≤ 10 %	IK08	7700	617 x 300 x 90
SL FLEX LA RV25ST P 158W 740 WAL		25 x 145	70	≤ 10 %	IK08	7700	617 x 300 x 90

## STREETLIGHT FLEX LARGE RW35ST

Wide light distribution optimized for wider roads and area lighting

Product name	Segmentation	GTIN (EAN)	W	lm	lm/W	K	L90 <sup>2</sup>
SL FLEX LA RW35ST P 110W 727 WAL	■	4058075552425	110	15200	138	2700	100000
SL FLEX LA RW35ST P 110W 730 WAL	■	4058075552449	110	16350	149	3000	100000
SL FLEX LA RW35ST P 110W 740 WAL	■	4058075552463	110	16650	151	4000	100000
SL FLEX LA RW35ST P 158W 727 WAL	■	4058075552487	158	21000	133	2700	100000
SL FLEX LA RW35ST P 158W 730 WAL	■	4058075552500	158	23200	147	3000	100000
SL FLEX LA RW35ST P 158W 740 WAL	■	4058075552524	158	23900	151	4000	100000

Product name							L x W x H [mm] Ø x H [mm]
SL FLEX LA RW35ST P 110W 727 WAL		35 x 135	70	≤ 10 %	IK08	7700	617 x 300 x 90
SL FLEX LA RW35ST P 110W 730 WAL		35 x 135	70	≤ 10 %	IK08	7700	617 x 300 x 90
SL FLEX LA RW35ST P 110W 740 WAL		35 x 135	70	≤ 10 %	IK08	7700	617 x 300 x 90
SL FLEX LA RW35ST P 158W 727 WAL		35 x 135	70	≤ 10 %	IK08	7700	617 x 300 x 90
SL FLEX LA RW35ST P 158W 730 WAL		35 x 135	70	≤ 10 %	IK08	7700	617 x 300 x 90
SL FLEX LA RW35ST P 158W 740 WAL		35 x 135	70	≤ 10 %	IK08	7700	617 x 300 x 90

<sup>2</sup> t[h]: L90/B10 @ 25 °C (T<sub>a</sub>)

# STREETLIGHT FLEX ACCESSORIES

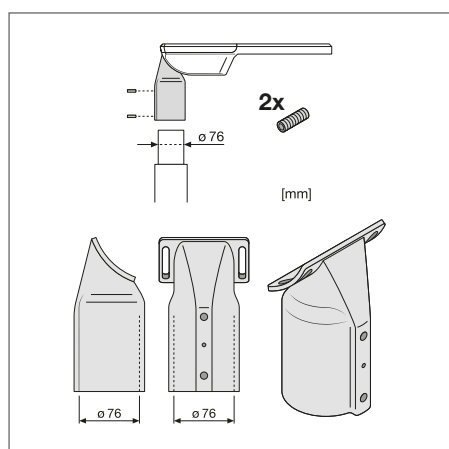
Mounting accessories for STREETLIGHT FLEX luminaires



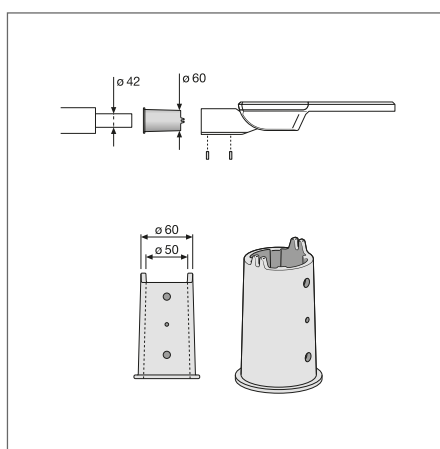
- Larger pole adapter, suitable for 76 mm poles
- Reduction piece, enabling the standard adapter for installation at 42 mm poles
- Suitable for all Streetlight Flex types



## FURTHER PRODUCT DETAILS



ADAPTER FOR 76 MM POLES



REDUCTION ADAPTER FOR 42 MM POLES

Product name	GTIN (EAN)		L x W x H [mm] Ø x H [mm]			
SL FLEX SPIGOT 76MM WAL	4058075552531	600	191 x 114 x 91	Aluminum	White Aluminum	1
SL FLEX REDUCTION 60 TO 42MM WAL	4058075552579	330	76 x 122	Aluminum	White Aluminum	2

<sup>1</sup> Refer to [www.ledvance.com/guarantee](http://www.ledvance.com/guarantee) for precise conditions



# EMERGENCY LIGHTING

SAFETY: A QUESTION OF LIGHT

Using the right emergency lighting, buildings can be evacuated quickly and safely. It helps prevent panic. This requires the installed luminaires to work even if power supply is interrupted. LEDVANCE offers a wide range of certified single-battery emergency luminaires and emergency lighting components that can be retrofitted:

## 1. LUMINAIRES WITH ADDITIONAL EMERGENCY LIGHTING FUNCTIONALITY

Many standard LEDVANCE luminaires are also available as single-battery luminaires. This allows you to implement the emergency lighting in the same style as your luminaire installation.

## 2. EMERGENCY CONVERSION BOX

With the Emergency Conversion Box, which is available separately, you can quickly and easily convert a selection of your LEDVANCE Panels and Downlights into single-battery emergency luminaires.

For details go to [www.ledvance.com/emergency](http://www.ledvance.com/emergency)



## STANDARD LUMINAIRES WITH EMERGENCY LIGHTING FUNCTIONALITY

1



### LEDVANCE OFFERS AN EXTENSIVE PORTFOLIO OF SINGLE-BATTERY EMERGENCY LUMINAIRES

- Emergency luminaires certified to EN 60598-2-22
- Integrated automatic test function for simple testing of emergency lighting operation
- Emergency lighting and battery status display by means of integrated status LED
- Emergency lighting operated on a long-life LiFePO4 battery (3h discharge time)

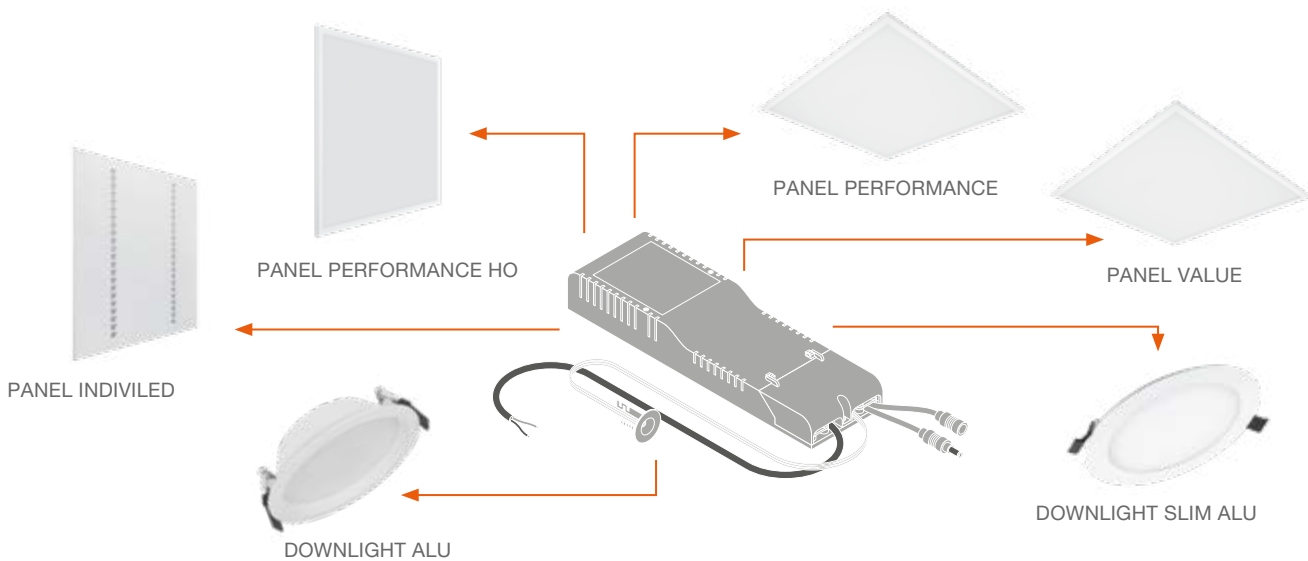
For details of the available EANs see the relevant product sections of the luminaires displayed.

## LUMINAIRE UPGRADES WITH THE EMERGENCY CONVERSION BOX

Page 193

The following selection of LEDVANCE Panels and Downlights can be upgraded to single-battery emergency luminaires with the **Emergency Conversion Box**:

2



### YOUR BENEFITS OF UPGRADING WITH THE EMERGENCY CONVERSION BOX:

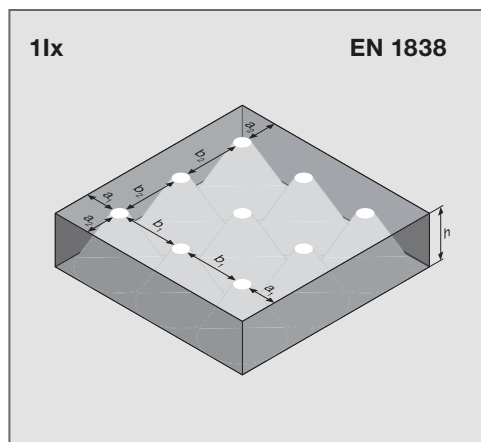
- Plug-and-play system allows easy installation and quick conversion of existing luminaires
- Emergency lighting module reduces warehousing complexity for emergency luminaires
- Integrated automatic test function for simple testing of emergency lighting operation
- Emergency lighting operated on a long-life LiFePO4 battery (3h discharge time)

# DAMP PROOF LED EMERGENCY: PLANNING EXAMPLE FOR ANTI-PANIC AND ESCAPE ROUTE LIGHTING



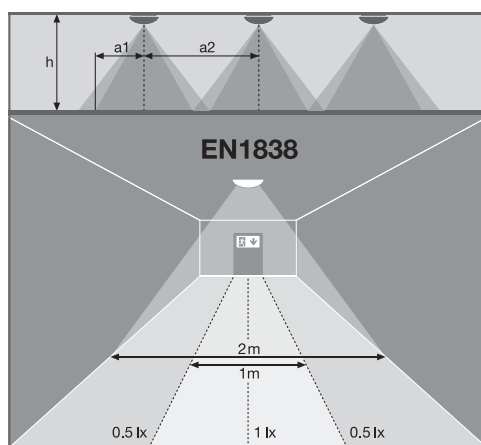
DAMP PROOF LED EM

For more information and planning aids for emergency luminaires see the eCatalog at [www.ledvance.com/professional](http://www.ledvance.com/professional)



## ANTI-PANIC LIGHTING

h [m]	a <sub>1</sub> [m]	b <sub>1</sub> [m]	a <sub>2</sub> [m]	b <sub>2</sub> [m]
2.5	4.0	9.5	4.0	9.0
3.0	4.5	10.0	4.5	9.5
3.5	5.0	10.5	5.0	10.0
4.0	5.5	11.0	5.5	10.5



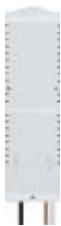
## ESCAPE ROUTE LIGHTING

h [m]	a <sub>1</sub> [m]	a <sub>2</sub> [m]
2.5	4.0	9.0
3.0	4.5	9.5
3.5	5.0	10.0
4.0	5.5	10.5



## EMERGENCY CONVERSION BOX

Emergency conversion box to convert recessed luminaires to self-contained emergency luminaires



- Self-contained emergency conversion unit
- Function test of emergency lighting: automatic (AT)
- Battery technology: LiFePO4
- Recessed ceiling mounting
- Conversion of selected LEDVANCE panels and downlights to emergency luminaires
- Emergency conversion unit reduces stock keeping complexity from emergency lighting
- Plug-and-play system allows easy installation
- Simple testing of luminaires with emergency lighting function thanks to integrated automatic test function
- Operation of integrated emergency lighting function with long life LiFePO4 battery with 3h battery discharge time

Product name	GTIN (EAN)	L × W × H [mm] ∅ × H [mm]	MATERIAL	COLOR	No.	No.
EM Conversion Box	4058075237025	292 x 81 x 41	-	-	1	1

## EMERGENCY LIGHTING PROPERTIES

Product name	Battery life in emergency operation mode	Type of emergency operation test	Type of emergency light operation	Luminous flux in emergency operation mode	Type of Battery
EM Conversion Box	3h	Automatic	Maintained/Non-maintained	300...480 lm (depending on the luminaire)	LiFePO4

# HIGH-QUALITY, COMPACT AND EFFICIENT LEDVANCE LED DRIVERS FOR CONSTANT CURRENT

LEDVANCE also offers the right solution for integration in LED luminaires or operation of independent indoor downlighting/spotlighting with its drivers for constant current (CC).



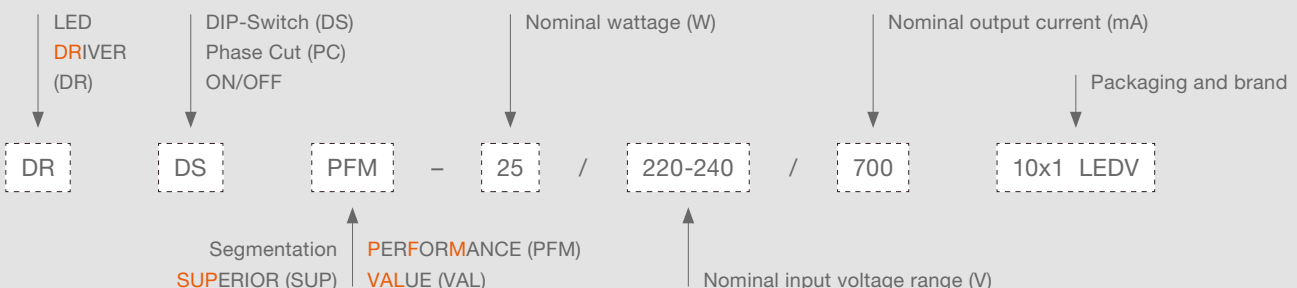
The wide range of high-quality SELV-insulated LEDVANCE constant current LED drivers with output currents of 250 mA to 1,400 mA provides you with solid options for operating virtually all standard LED modules. Flexible power

settings allow for correct integration in different LED luminaires. Leading-edge and trailing-edge phase cut options are available for dimming applications. The compact housing design, optional cable clamps and simple wiring make installa-

tion quick and easy even in tight spaces, reducing your installation time and costs. The life of up to 50,000 hours is another strong argument.

## NAMING OF THE CC DRIVERS

The names of the CC drivers reveal their properties:







## LED DRIVER DALI PERFORMANCE

Compact constant current LED driver with DALI dimming interface



### PRODUCT BENEFITS

- Low flickering enables high light quality as well as good visual comfort
- Push DIM application for easy control
- High-quality dimming of 1...100 %
- Suitable for emergency lighting
- 5 years guarantee

### AREAS OF APPLICATION

- Suitable for indoor SELV installations
- Suitable for use in emergency lighting systems (DC capable)
- Installation via possible (depending on version of product)
- Linear lighting for office, education, storage areas and retail

Product name	GTIN (EAN)	W	V	V <sub>OUT</sub>	Hz	I <sub>[mA]</sub>
DR DALI-PFM-26/220-240/700	4058075421882	26	220...240	9...52	50/60	150/200/250/300/350/400/450/500/550/600/650/700
DR DALI-PFM-44/220-240/1050	4058075421905	44	220...240	9...52	50/60	700/750/800/850/900/950/1000/1050
DR DALI-PFM-60/220-240/1A4	4058075421929	60	220...240	9...52	50/60	700/750/800/850/900/950/1000/1050/1100/1200/1250/1300/1350/1400

Product name	ΔV/V	W	t <sub>in</sub> <sup>2</sup>	T <sub>a</sub>	T <sub>c</sub>	PROTECTION CLASS	L × B × H [mm]	No.
DR DALI-PFM-26/220-240/700	+/- 5	1...100	50000	-20...+50	85	I	90x44x32	1
DR DALI-PFM-44/220-240/1050	+/- 5	1...100	50000	-20...+50	90	I	90x44x32	2
DR DALI-PFM-60/220-240/1A4	+/- 5	1...100	50000	-20...+50	90	I	100x76x32	3

### EQUIPMENT / ACCESSORIES



Product name	DR AY ZB-DALI CLAMP DUO
Description	-
GTIN (EAN)	4058075483125
L × B × H [mm]	52.5 x 76 x 32



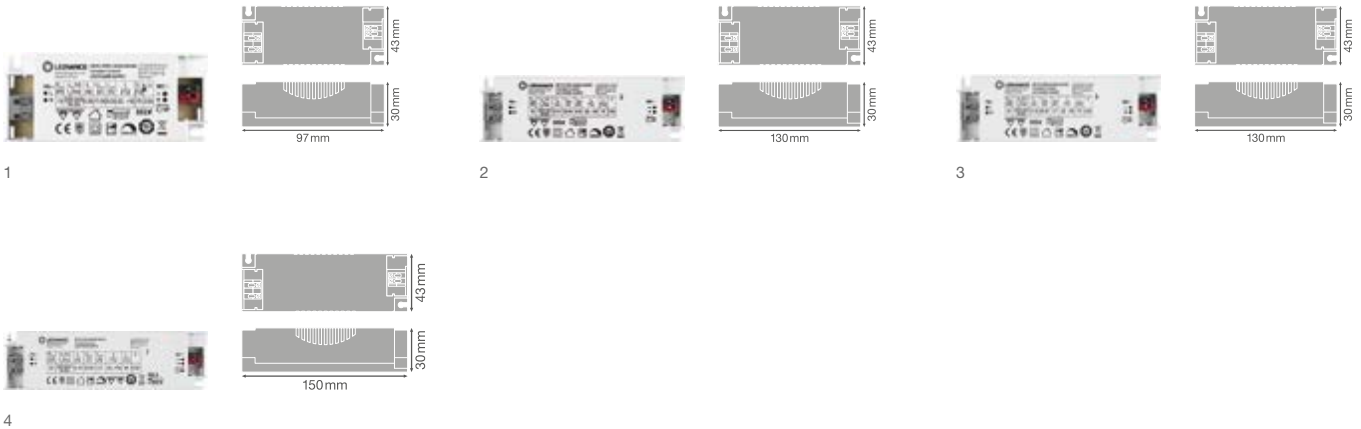
Product name	DR AY ZB-DALI CLAMP
Description	-
GTIN (EAN)	4058075483149
L × B × H [mm]	50 x 44 x 32

<sup>1</sup> Refer to [www.ledvance.com/guarantee](http://www.ledvance.com/guarantee) for precise conditions | <sup>2</sup> At maximum T<sub>c</sub> / 10% failure rate

# LED DRIVER PHASE-CUT PERFORMANCE



Constant current LED driver with phase-cut dimming interface



## PRODUCT BENEFITS

- Enables installation with commonly used leading-edge and trailing-edge dimmers
- 5 years guarantee
- Slim housing for narrow installations
- High efficiency and reliability

## AREAS OF APPLICATION

- Suitable for LED luminaires and LED modules
- Applicable for luminaires of protection classes I and II
- For indoor SELV installations
- Offices, shopping centers, hospitals, restaurants, hotels

Product name	GTIN (EAN)	W	V	V <sub>OUT</sub>	Hz	I <sub>[mA]</sub>	IP
DR PC-PFM-13/220-240/350	4058075239814	13	220...240	17...36	50/60	350	< 5
DR PC-PFM-18/220-240/350	4058075239838	18	220...240	32...54	50/60	350	< 5
DR PC-PFM-25/220-240/700	4058075239852	25	220...240	20...36	50/60	700	< 5
DR PC-PFM-35/220-240/700	4058075239876	35	220...240	30...50	50/60	700	< 5

Product name	W	t <sub>th</sub> <sup>2</sup>	T <sub>a</sub>	T <sub>c</sub>	PROTECTION CLASS	L × B × H [mm]	No.
DR PC-PFM-13/220-240/350	10...100	50000 <sup>a)</sup>	-20...+50	75	II	97x43x30	1
DR PC-PFM-18/220-240/350	10...100	50000 <sup>b)</sup>	-20...+50	70	II	130x43x30	2
DR PC-PFM-25/220-240/700	10...100	50000 <sup>b)</sup>	-20...+50	75	II	130x43x30	3
DR PC-PFM-35/220-240/700	10...100	50000 <sup>c)</sup>	-20...+50	85	II	150x43x30	4

## EQUIPMENT / ACCESSORIES



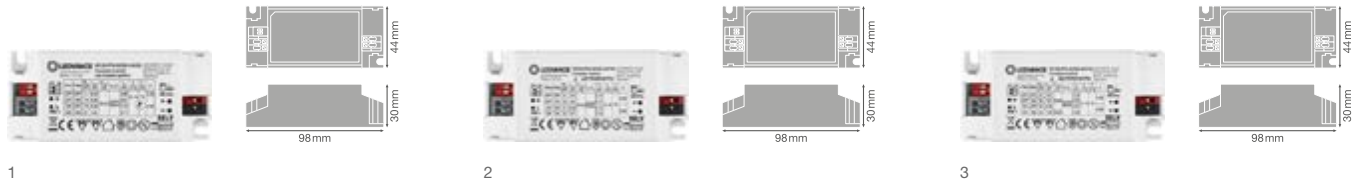
Product name	DR AY PC-PFM-CLAMP DUO
Description	Cable clamps for Phase-Cut LED Drivers
GTIN (EAN)	4058075313170
L × B × H [mm]	38.3x34x28.5

<sup>1</sup> Refer to [www.ledvance.com/guarantee](http://www.ledvance.com/guarantee) for precise conditions | <sup>2</sup> a) At maximum T<sub>c</sub> = 75°C / 10% failure rate, b) At maximum T<sub>c</sub> = 70°C / 10% failure rate, c) At maximum T<sub>c</sub> = 85°C / 10% failure rate



# LED DRIVER DIP-SWITCH PERFORMANCE

Constant current LED driver with dip-switch current setting



## PRODUCT BENEFITS

- High flexibility due to adjustable output currents via dip switch
- Low flickering enables high light quality as well as good visual comfort
- 5 years guarantee
- Slim housing for narrow installations
- High efficiency and reliability

## AREAS OF APPLICATION

- Suitable for LED luminaires and LED modules
- Applicable for luminaires of protection classes I and II
- Suitable for build-in luminaires with adjustable current setting
- For indoor SELV installations
- Offices, shopping centers, hospitals, restaurants, hotels

Product name	GTIN (EAN)	W	V	V <sub>OUT</sub>	Hz	I <sub>mA</sub>	IP
DR DS-PFM-20/220-240/500	4058075239753	20	220...240	25...42	50/60	250/350/450/500	< 5
DR DS-PFM-30/220-240/700	4058075239777	30	220...240	25...42	50/60	500/600/650/700	< 5
DR DS-PFM-40/220-240/1A0	4058075239791	40	220...240	25...40	50/60	800/900/950/1050	< 5

Product name	t <sub>inj</sub> <sup>2</sup>	T <sub>a</sub>	T <sub>c</sub>	PROTECTION CLASS	L x B x H [mm]	No.
DR DS-PFM-20/220-240/500	50000	-20...+50	75	II	98x44x30	1
DR DS-PFM-30/220-240/700	50000	-20...+50	75	II	98x44x30	2
DR DS-PFM-40/220-240/1A0	50000	-20...+45	75	II	98x44x30	3

## EQUIPMENT / ACCESSORIES



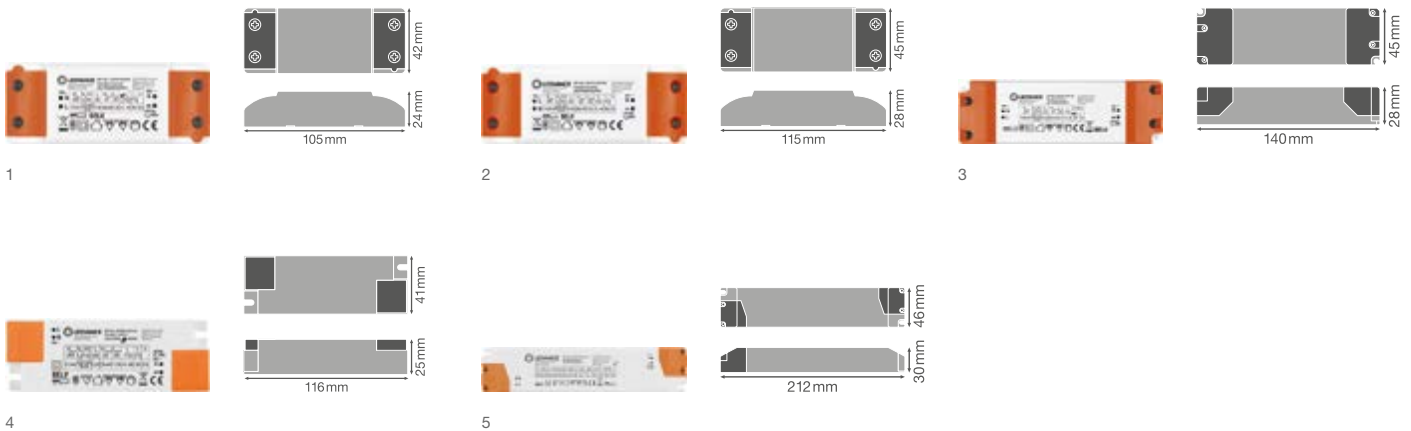
<b>Product name</b>	DR AY DS-PFM-CLAMP DUO
<b>Description</b>	Cable clamps for DIP-Switch LED Drivers
<b>GTIN (EAN)</b>	4058075313200
<b>L x B x H [mm]</b>	35.7 x 35.2 x 28.2

<sup>1</sup> Refer to [www.ledvance.com/guarantee](http://www.ledvance.com/guarantee) for precise conditions | <sup>2</sup> At maximum T<sub>c</sub> = 75°C / 10% failure rate

# LED DRIVER VALUE



Constant current LED driver with dedicated current



## PRODUCT BENEFITS

- Suitable for operation with many discrete LED and COB LED
- Excellent price/performance ratio
- 3 years guarantee
- Quick and simple installation
- High efficiency and reliability

## AREAS OF APPLICATION

- Suitable for LED luminaires and LED modules
- Applicable for luminaires of protection classes I and II
- For indoor SELV installations
- Offices, shopping centers, hospitals, restaurants, hotels

Product name	GTIN (EAN)	W	V	V <sub>OUT</sub>	Hz	I <sub>mA</sub>	IP
DR-VAL-15/220-240/350	4058075240193	15	220...240	30...46	50/60	350	< 5
DR-VAL-20/220-240/500	4058075240216	20	220...240	28.5...48	50/60	500	< 5
DR-VAL-30/220-240/700	4058075240230	30	220...240	26...43	50/60	700	< 5
DR-VAL-45/220-240/1A0	4058075240254	45	220...240	30...40	50/60	1050	< 5
DR-VAL-60/220-240/1A4	4058075240278	60	220...240	26...43	50/60	1400	< 5

Product name	t <sub>bj</sub> <sup>2</sup>	T <sub>a</sub>	T <sub>c</sub>	PROTECTION CLASS	L × B × H [mm]	No.
DR-VAL-15/220-240/350	35000 <sup>b)</sup>	-10...+50	80	II	105x42x24	1
DR-VAL-20/220-240/500	35000 <sup>b)</sup>	-10...+50	85	II	115x45x28	2
DR-VAL-30/220-240/700	35000 <sup>b)</sup>	-10...+50	85	II	140x45x28	3
DR-VAL-45/220-240/1A0	35000 <sup>c)</sup>	-10...+45	90	II	116x41x25	4
DR-VAL-60/220-240/1A4	35000 <sup>b)</sup>	-10...+45	85	II	212x46x30	5

<sup>1</sup> Refer to [www.ledvance.com/guarantee](http://www.ledvance.com/guarantee) for precise conditions | <sup>2</sup> a) At maximum T<sub>c</sub> = 80°C / 10% failure rate, b) At maximum T<sub>c</sub> = 85°C / 10% failure rate, c) At maximum T<sub>c</sub> = 90°C / 10% failure rate

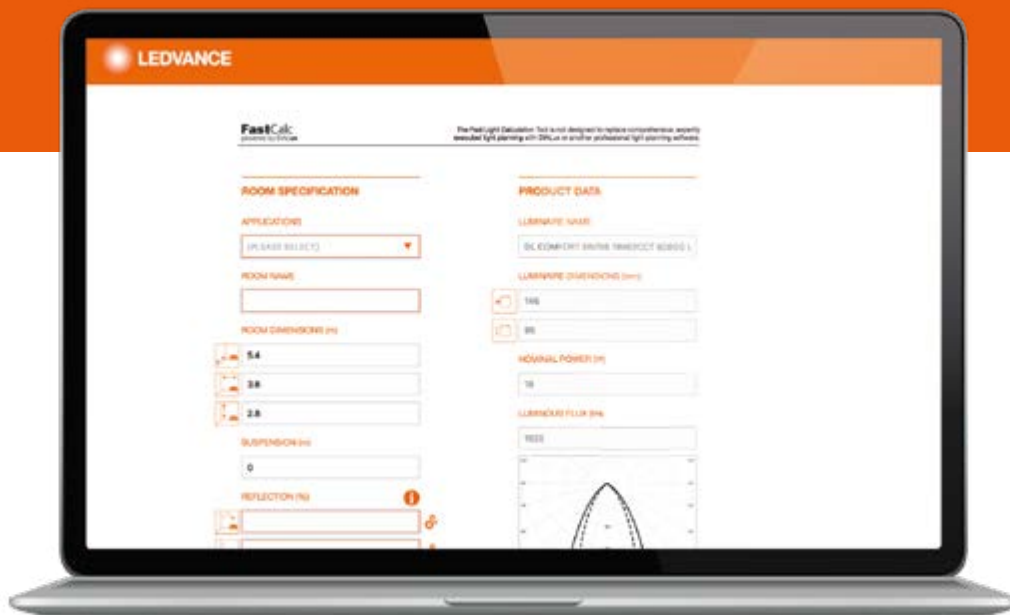
# TAILOR-MADE CALCULATIONS – WITH OUR FAST LIGHT CALCULATION TOOL OR

We have put together our tools and services for achieving accurate calculations for your projects. Do you want quick information from the Fast Light Calculation Tool or detailed professional planning with DIALux and RELUX? We'll give you individual advice and, together with you, we'll plan the optimum lighting for your complete project.

## QUICK & EASY

## FAST LIGHT CALCULATION TOOL

With the handy calculation tool on our website, we offer installers and lighting professionals a quick and easy way to plan lighting projects successfully. The results are compiled in a PDF document which you can attach to your email tenders, for example. For more information go to [ledvance.com/flct](https://www.ledvance.com/flct)



## THE INFORMATION PROVIDED BY THE TOOL INCLUDES THE FOLLOWING:

- Number of luminaires needed
- Floor plan showing the distribution of the luminaires
- Illuminance, total power (W) and specific load (W/m<sup>2</sup>)
- Light distribution curve for every luminaire

The Fast Light Calculation Tool is no substitute for comprehensive professional planning with DIALux or any other professional light planning software.

## MORE BENEFITS FOR YOU:

- Intuitive operation of the tool
- Preselection of application areas with minimum lux values
- Info boxes explaining the values to be entered
- Generation of a final PDF with the results, including a floor plan showing the distribution of the luminaires





# DIALUX/RELUX

## PROFESSIONAL

### DIALUX AND RELUX

Good news for DIALux and RELUX users: Since the start of 2018 LEDVANCE has been working with the software producers. DIALux and RELUX users can now easily integrate LEDVANCE products in their lighting plans. Our luminaire data is also BIM-compatible. We also support users with customized advice on planning their lighting systems and offer tailored solutions for an extremely wide variety of lighting requirements – all entirely from a single source.

### SAMPLE DIALUX CALCULATION WITH TRUSYS PFM 50 W/4000 K

**ROOM DEFINITION**  
Industrial storage

**ROOM DIMENSIONS**

- Floor area: 1,500 m<sup>2</sup>
- Ceiling height: 8 m
- Installation height: 7 m

**REFLECTANCE**

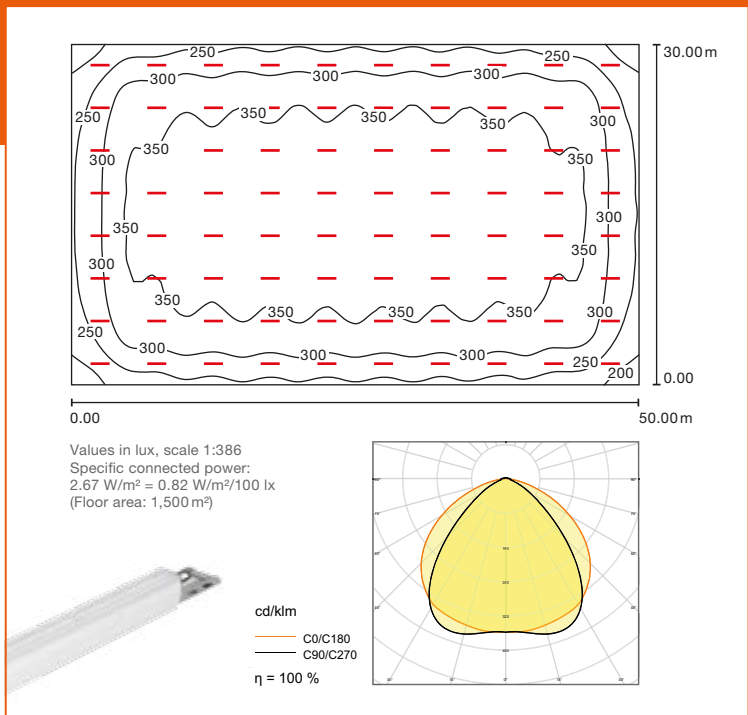
- Ceiling: 70 %
- Walls (4): 50 %
- Flooring: 20 %

**BASIS FOR CALCULATION**

- Relevant standard DIN EN12464-1
- Required illuminance  $E_m$ : 300 lx
- Required uniformity  $E_{min}/E_m$ : 0.40
- Maintenance factor: 0.80
- Boundary zone: 0.00 m

### RESULTS: ILLUMINANCE IN THE STORAGE ROOMS

Area	Average (target)	Min	Max	Uniformity $E_{min}/E_m$ (target)
work level, storage space	325 lx (300 lx)	168 lx	385 lx	0.516 (0.4)



### YOUR BENEFITS AT A GLANCE

- Tailored calculation for accurate planning of your project:
- Uniformly good light distribution
  - Precise wattage per sqm
  - Maximum efficient calculation of required number of luminaires

**See for yourself.**

# CASE STUDY: TYROL CLINIC MODERN LED SOLUTIONS FR

## PROJECT:

Upgrade to LED lighting at Innsbruck hospital  
**VERTICAL:** Facility management – Health care  
**APPLICATION:** Lighting for hospitals and clinics  
**TECHNOLOGY:** LED technology

## LEDVANCE PRODUCTS:



LED Panel 625



LED Panel 1200



LED Damp Proof



LED Downlight



# S – OM A SINGLE SOURCE

The Tyrol clinics in the Innsbruck, Hall and Hochzirl-Natters hospitals are committed to sustainability – especially in terms of energy management. The lighting at Innsbruck hospital has consequently been upgraded step-by-step to LED technology since 2016. Among other things, about **6,000 modern LED luminaires from LEDVANCE** have been installed in that time, for example in the corridors of the central supply building, in the underground garage, in the lift areas and in the canteen. Patients, visitors and employees benefit not only from better quality of light. The LED luminaires also achieve **energy savings of up to 50 %**. Other advantages for the Tyrol clinics include simple installation, longer **service life for the luminaires of up to 50,000 hours** and hence reduced expenditure for installation and maintenance.

## THE MOST IMPORTANT FACTS AT A GLANCE:

- Around 6,000 new LED luminaires for Innsbruck hospital
- Energy savings for the lighting: up to 50 %
- Cost savings: up to 50 % including light source replacement costs
- Improved quality of light in various areas
- Simple installation, low maintenance

# LEDVANCE: ADVANCING LIGHT

## BAD LIGHT DRIVES YOU WILD? BETTER SWITCH TO LEDVANCE LUMINAIRES.

With over 100 years of experience in general lighting, LEDVANCE combines traditional lighting technology with pioneering lighting innovations for almost any application. In addition to this unique know-how, we particularly rely on long-term customer relationships and a strong global sales network.

As technology trend experts, we are leading the way in meeting the rapidly changing demands for high-quality and long-lasting light. And as a strong local partner, we are always reliably at your side in over 140 countries.

Whether it's luminaires, lamps, our LED Strip System or state-of-the-art light management solutions, our teams of specialists are focused on the specific needs of our customers. We are making a decisive contribution to increasing your competitiveness with technical innovations and easy-to-use, intelligent lighting solutions compliant with EU regulations.

So with LEDVANCE you are always prepared for the future. Our current luminaire portfolio, for example, meets all the requirements of the EU's new SLR and ELR regulations. And everything we do is geared to the wishes of our customers.

We always focus on the benefit for you as a lighting professional. That's why we do everything we can to make our products and systems particularly easy to plan, install and combine.

Based on these principles, we will continue to develop sophisticated products and provide you with optimum support in your personal fight against bad light.



# GOOD LIGHT ALL ROUND

## THE FULL LEDVANCE RANGE

LEDVANCE is leading the fight against bad light in every area. That's good news for you because when it comes to future-proof solutions relating to luminaires and lamps, HCL systems, electronic components, light management and smart residential products, you have a competent partner in LEDVANCE on your side for your complex lighting projects. You can always rely on LEDVANCE for excellent brand quality, professional service and a good price/performance ratio.



### AESTHETICALLY FUNCTIONAL LUMINAIRES

The extensive luminaire portfolio covers virtually all professional and residential applications and delivers outstanding quality and functionality. The new BIOLUX HCL system is a winner of the VDE Quality Certificate, and the red dot 2020 Product Design and 2020 German Innovation Awards.

### EACH LAMP A LIGHTING SOLUTION

The lamp portfolio includes a wide choice of shapes and base sizes as well as types with additional functions (e.g. sensors), all with outstanding efficiency and durability. Alongside UV-C and LED lamps, LEDVANCE will continue to offer conventional halogen, energy-saving, fluorescent and gas discharge lamps.

### FLEXIBLE LED STRIP SYSTEM

The LED Strip System includes a large number of flexible LED strips, drivers and matching accessories. With a wide range of luminous fluxes and light colors, the system allows bespoke lighting solutions to be created for virtually any indoor or outdoor application. Easy to plan, easy to combine and easy to install – that's the principle here.

### VIVARES: LIGHT MANAGEMENT, MORE COMFORTABLE THAN EVER

The future-proof IoT light management system (LMS) from LEDVANCE makes it easier and more flexible than ever to always produce optimal lighting conditions for defined requirements. The system is extremely reliable and compatible and offers all LMS components and matching LED luminaires from one source.

### SMART LIGHTING FOR RESIDENTIAL APPLICATIONS

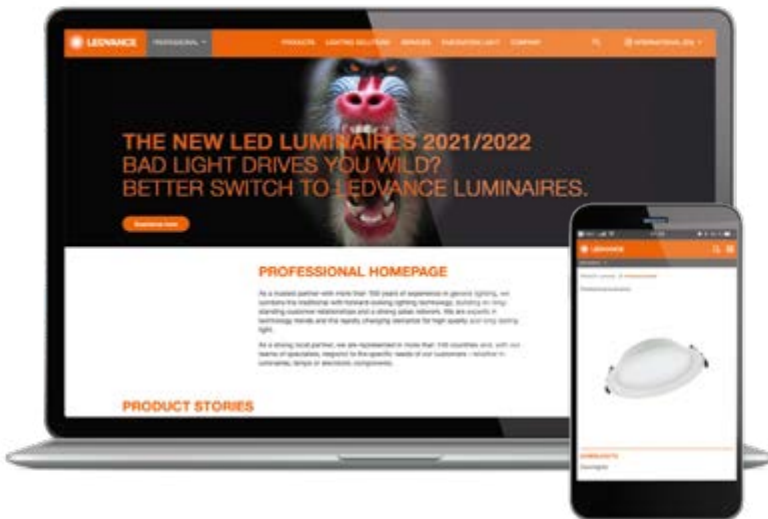
Our smart residential products offer a comprehensive combination of innovation, quality, reliability and user-friendliness. We provide a suitable solution for a variety of requirements that intelligent lighting has to meet.

### MORE INFORMATION AND CLEVER TOOLS

For more information on LEDVANCE's extensive product portfolio and clever apps and tools that will help you in your day-to-day work go to [www.ledvance.com](http://www.ledvance.com)

# WHENEVER AND WHEREVER: THE ONLINE PORTAL WITH ALL THE INFORMATION, ADVICE AND EXPERTISE

Are you looking for information about our products and services? LEDVANCE always keeps you up to date: at wholesalers, through our sales employees or via our Customer Service Center (email: [contact@ledvance.com](mailto:contact@ledvance.com)). Here you'll find an overview of our competencies, databases and tools.



- ▶ **PERFECTLY FILTERED**  
Use the online filters to find precisely what you're looking for in our luminaire portfolio – type of mounting, IP rating, light color, etc.: [ledvance.com/luminaires](https://www.ledvance.com/luminaires)
- ▶ **REFERENCES PROVIDE INSPIRATION**  
A selection of some top lighting projects can be found at [ledvance.com/projects](https://www.ledvance.com/projects)
- ▶ **LEDVANCE SERVICE-PLUS**  
Our specialized sales department supports and advises our commercial end customers – including face-to-face. Find out all you need to know at [ledvance.com/vam](https://www.ledvance.com/vam)
- ▶ **DOWNLOAD CENTER**  
Catalogs, compatibility overviews, brochures, and much more are available for you in our download center: [ledvance.com/download](https://www.ledvance.com/download)
- ▶ **OUR TOOLS FOR YOU**  
From the LED strip system configurator to the TCO calculator for lamps, you will find all the practical tools you need at [ledvance.com/tools](https://www.ledvance.com/tools)
- ▶ **SERVICE AT A GLANCE**  
You will find a summary of all of our service offerings at [ledvance.com/services](https://www.ledvance.com/services)
- ▶ **FIND OUR LATEST NEWS ON:**



## THE ONLINE TRAINING PLATFORM

A host of application-oriented eLearnings for professional users, practical advice on installation, integrated standards checks, planning tips, and much more.

Register and find out more at [training.ledvance.com](https://training.ledvance.com)



## FAST LIGHT CALCULATOR





























The light calculation tool – calculate your luminaire project requirement really conveniently, taking account of relevant parameters such as room size.<sup>1</sup> Available directly in the e-catalog!

## LIGHT CALCULATION WITH DIALUX AND RELUX

DIALux and RELUX users can now also integrate LEDVANCE products really easily into their lighting planning. We also support users through consultancy, calculation and aftersales support.

<sup>1</sup> The Fast Light Calculation Tool is no substitute for comprehensive professional planning with DIALux or any other professional light planning software.

# SHEDDING LIGHT, SYMBOLS AND ABBREVIATIONS

	Type of protection		t [h]: L70/B50 @ 25 °C (T <sub>a</sub> )
	Type of protection, back / front		t [h]: L80/B10 @ 25 °C (T <sub>a</sub> )
	IK impact rating		t [h]: L90/B10 @ 25 °C (T <sub>a</sub> )
	Color rendering index		Beam angle in °
	MacAdam color consistency		Weight
	Dimmable or DALI		Unit of Packaging
	Luminous flux in lm		Recommended retail price
	Power in W		Fig. no.
	Color temperature in K		Scale design
	Luminous efficacy		Protection class I
	Guarantee		Protection class II
	Sensor versions		ENEC certification
	Ceiling opening		TÜV Süd certification
	Replacement for traditional lamp technology		TÜV Rheinland certification

## LIST OF ABBREVIATIONS

<b>ASYM</b>	Asymmetric
<b>AT</b>	Auto Test
<b>BK</b>	Black
<b>CCT</b>	Correlated Color Temperature
<b>D</b>	Direct
<b>DA</b>	Double Asymmetric
<b>D/I</b>	Direct / Indirect
<b>DEG</b>	Degree (beam angle)
<b>DK</b>	Dark Light (cut-off)
<b>DL</b>	Downlight
<b>DN</b>	Diameter Nominal
<b>DP</b>	Damp Proof
<b>DS</b>	Double Symmetric
<b>EM</b>	Emergency
<b>ER</b>	Energy Rail
<b>FL</b>	Flood (beam angle)
<b>Flood</b>	Floodlight
<b>FP</b>	Fire-Proof (fire rated up to ...)
<b>GY</b>	Gray
<b>HB</b>	High Bay
<b>HO</b>	High Output
<b>IND</b>	Indirect
<b>INDV</b>	IndiviLED
<b>LN</b>	Linear
<b>MT</b>	Manual Test
<b>MP</b>	Microprismatic (= UGR < 19)
<b>N</b>	Narrow (beam angle)
<b>NFL</b>	Narrow Flood (beam angle)
<b>O</b>	Outdoor
<b>OP</b>	Opal
<b>PFM</b>	Performance
<b>RD</b>	Round
<b>S</b>	Sensor
<b>SF</b>	Surface
<b>SI</b>	Silver
<b>SP</b>	Spot
<b>SQ</b>	Square
<b>Surface-C</b>	Surface Circular
<b>SYM</b>	Symmetric
<b>TH</b>	Through-wiring
<b>Track</b>	Tracklight
<b>UGR</b>	Unified Glare Rating
<b>UO</b>	Ultra Output
<b>VAL</b>	Value
<b>VN</b>	Very Narrow Beam Angle
<b>VW</b>	Very Wide Beam Angle
<b>W</b>	Wide (90° beam)
<b>WT</b>	White
<b>WW</b>	Wallwasher = asymmetric

## ABOUT LEDVANCE

With offices in more than 50 countries and business activities in more than 140 countries, LEDVANCE is one of the world's leading general lighting providers for professional users and end consumers. Having emerged from OSRAM's general lighting division, LEDVANCE offers a wide-ranging portfolio of LED luminaires for a broad spectrum of applications, intelligent lighting products for Smart Home and Smart Building solutions, one of the most comprehensive ranges of advanced LED lamps in the lighting industry, traditional light sources, an LED Strip System and light management systems.



# LEDVANCE

LEDVANCE GmbH  
Parkring 29–33  
85748 Garching  
Germany  
[LEDVANCE.COM](https://www.ledvance.com)

Partner:

