



## ASSEMBLING & INSTALLATION INSTRUCTIONS

The drawing shown may not exactly match the product enclosed.  
However, the installation instructions do apply to this product.  
40803 40983 40993 41083 41084 41053 43393

- ◆ **WARNING! SHUT POWER OFF AT FUSE OR CIRCUIT BREAKER.**
- ◆ **ATTENTION! COUPER LE COURANT AU FUSIBLE OU UN DISJONCTEUR.**

### ASSEMBLING THE FIXTURE (Fig.1)

1. Shut off the power at the circuit breaker box. Remove old fixture and all hardware from Junction Box.
2. Carefully unpack your new fixture and lay out all the parts on a clear area. Be care not to lose any small parts necessary for installation.
3. Disassembly taper parts and hex nuts from the others single bar. Raise the short pipe thread(C) insert to the taper(D), then attach this part insert to the side hole of canopy(B), lock it securely steel shim and hex nut(A). Slide the electrical cord of shade(F) through the taper part.
4. By measuring, determine correct cord length needed for proper hanging height. NOTE: slide cord clip to the proper position, then you may cut extra cord.
5. Attach the single bar(included long pipe thread) to the Junction Box with the two junction box screws as shown. The side of the single bar marked "GND" must face out. The junction box is not included.
6. While holding the lamp body towards the ceiling, connect the electrical wires as Shown in Fig.2, making sure that all wire nuts are secured. You may have to wrap the connections with electrical tape. If your outlet has a ground wire (green or bare copper), connect the fixture ground wire to it. Otherwise connect fixture's ground wire directly to the Mounting plate with the green screw provided. After wires are connected, tuck them carefully inside the Junction Box.
7. Install the canopy(B) onto the junction box, the pipe thread protrude from the center hole in the canopy and lock it securely with the ball nut(E) until tight, then lock the electrical cord securely with the side plastic screws(D).
8. Install the light bulbs(Not included) in accordance with the fixture's specifications. **NOTE: DO NOT EXCEED THE SPECIFIED WATTAGE!**

**Your installation is now complete. Return power to the junction box and test the fixture.**

FIG.1

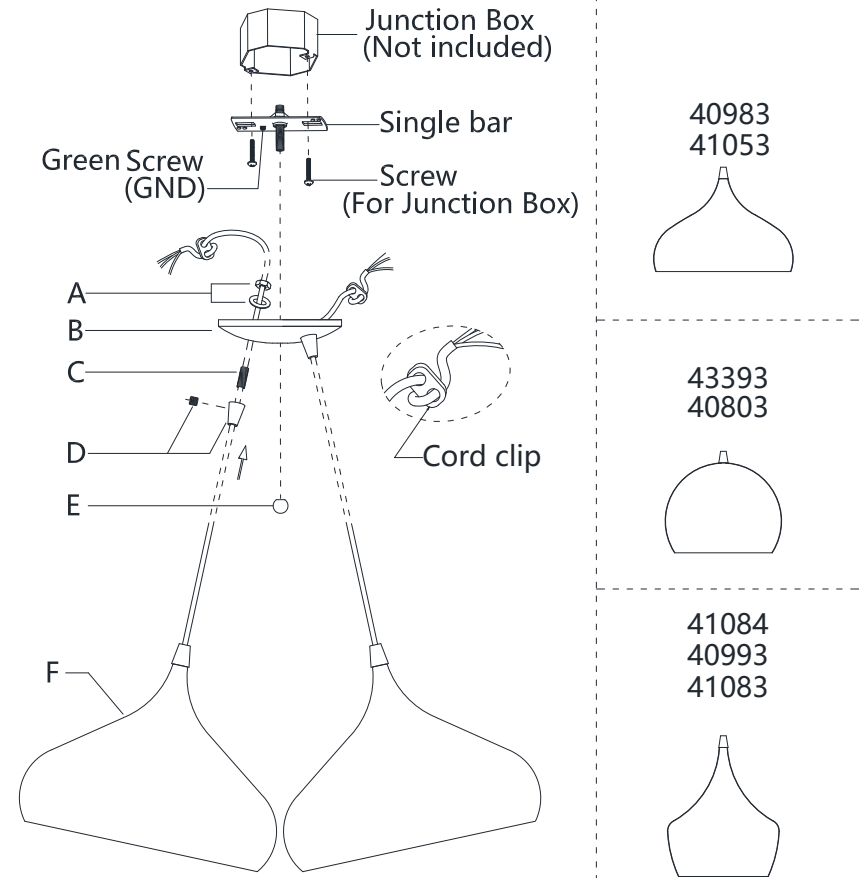
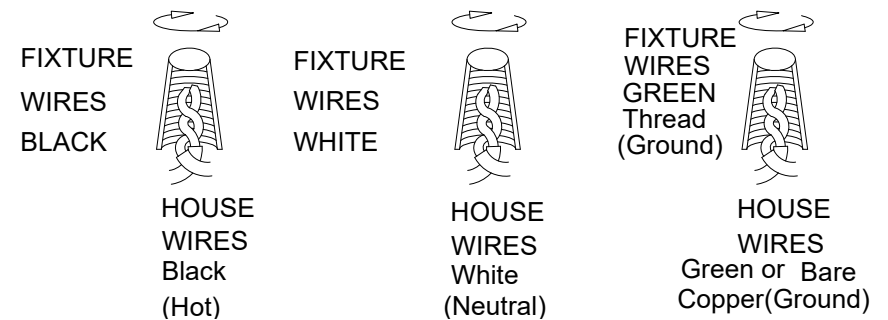


FIG.2



Thank you for purchasing a **LIVEX** product.  
Need assistance with parts or assembly? Please call customer service at: **800-761-8056**  
Or visit us online at: [WWW.LIVEXLIGHTING.COM](http://WWW.LIVEXLIGHTING.COM)