

PROJECT NAME: \_\_\_\_\_ CAT. #: \_\_\_\_\_  
 NOTES: \_\_\_\_\_ FIXTURE SCHEDULE: \_\_\_\_\_

## Real-Time Clock Device



### c-Max Overview

c-Max network lighting controls features a patented plug-and-play interface that allows for easy field installation of low voltage nodes and sensors to create an affordable luminaire lighting control solution. Sensors integrated with occupancy, daylight harvesting, and other control capabilities help achieve energy code compliance.

The Real Time Clock (NN-RTC) device enables the bluetooth mesh network to get synchronized every 10 minutes with real local time. As a result, the schedules set up within the zone can be executed at the set times after a power outage.

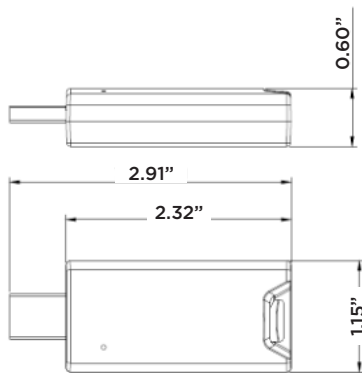
### Features

- Easy commissioning via c-Max App (IOS and Android)
- At least 1 NN-RTC device per zone
- Can be utilized as a bridge connection between nodes
- Powered by plugging into any USB-A port
- 10-year Internal CR1220 battery to maintain the zone's real-time schedule after power outages
- 5 Year Warranty

### Ordering Information

MODEL NUMBER	DESCRIPTION	UPC	ORDER CODE
NN-RTC	NETWORK NODE - REAL TIME CLOCK SYNC DEVICE	767627035425	108859

### Dimensions



### Specifications

Specifications	NN-RTC
<b>OPERATING VOLTAGE</b>	Powered by USB-A 5V charging port
<b>FLAME RATING</b>	UL 94 V-0
<b>CONTROL TECHNOLOGY</b>	Bluetooth
<b>WIRELESS STANDARD</b>	BLE 4.2MESH IEEE 802.15.1
<b>WIRELESS FREQUENCY</b>	2.4GHz
<b>PROGRAMMING</b>	c-Max Mobile App (IOS and Android)
<b>CYBERSECURITY</b>	UL1376 Gold Rating
<b>ENCRYPTION</b>	AES 128-bit
<b>MESH RANGE</b>	100ft node-to-node and 50ft node-to-device (Commissioning)
<b>FCC</b>	FCC ID: 2AZRDCMAX2021
<b>OPERATING TEMPERATURE</b>	-40°F to 131°F / -40°C to 55°C
<b>WARRANTY</b>	5 years
<b>COLOR</b>	White
<b>WEIGHT</b>	TBD

### Commissioning

c-Max mobile App makes it easy to pair devices, create groups, set scenes/schedules, customize dimming levels, and adjust high trim based on application needs.

Visit [www.maxlite.com/cmox](http://www.maxlite.com/cmox) for How-to-Videos and a comprehensive commissioning guide.



5-year standard warranty (further details available at [www.maxlite.com/warranties](http://www.maxlite.com/warranties)) Product may be eligible for a warranty extension to 10 years, for an additional fee. Contact MaxLite for details.