



PROJECT NAME: _____ CAT. #: _____
 NOTES: _____ FIXTURE SCHEDULE: _____

WallMax Full Cutoff Wall Pack



15-28W MODELS



40-100W MODELS



CCT Switch



Photocell

Product Description:

WallMax Cutoff Wall Packs are a full cutoff architectural wall mounted fixture ideal for commercial offices, schools and other public administrative buildings. It offers a wide range of outputs and options including CCT selectability so the customer can choose between 3000K, 4000K and 5000K color temperatures.

Features:

- CCT selectable between 3000K, 4000K or 5000K
- Wattage Selectable - 28W and 100W versions
- Sealed housing - control nodes are mounted internally without impacting the fixture sealing or aesthetics

Controls Options:

- Internal photocell with on/off switch included standard
- Controls Ready for field installable c-Max controls
- Avi-On Controls available

Construction:

- Die Cast Aluminum housing with polycarbonate LED lens

Listings:

- UL listed for Wet Locations, Outdoor
- IP65
- DLC Premium
 - Not all product variations listed on this page are DLC qualified. Visit <https://www.designlights.org/search/> to confirm qualification.
- RoHS Compliant

Ordering Structure

FAMILY	WATTAGE	VOLTAGE	DISTRIBUTION	CCT	FINISH	CONTROLS OPTIONS	EM OPTIONS
WPC= WallMax Cutoff	15= 15W 20= 20W 28= 28W 40= 40W 70= 70W 100= 100W	U= 120-277V **H= 277-480V	T4= Type IV	CS= 3/4/5K Selectable *WCS= 3/4/5K Selectable, Wattage Selectable	B= Dark Bronze <i>Contact Maxlite for additional finishes</i>	CR= Controls Ready (Standard, see accessories chart for control choices) AV= Avi-On Network Controls (Factory Installed) PC= Photocell with on/off switch (Standard)	BLANK= None EO= Battery Backup 0°C E2= Battery Backup -20°C

*Available in 28W (15/20/28) and 100W (40/70/100)

**Available in 28W and above

***Not all product variations listed on this page are DLC qualified. Visit <https://www.designlights.org/search/> to confirm qualification.

Stocked Items

MODEL NUMBER	ORDER CODE	DLC ID#
WPC15UT4-CSBPCCR	108415	P1GOLZE3
WPC20UT4-CSBPCCR	108416	P3RF8SMI
WPC28UT4-WCSBPCCR	108417	P4P6I19B

Stocked Items

MODEL NUMBER	ORDER CODE	DLC ID#
WPC40UT4-CSBPCCR	108418	P9SUC0DZ
WPC70UT4-CSBPCCR	108419	PEA2ZBIE
WPC100UT4-WCSBPCCR	108420	PBTP9KMY



10-year standard warranty with labor allowance (further details available at www.maxlite.com/warranties)

Warranty Limitations: Product must be rated for application per the Product Data Sheet (PDS); operated ≤16 hrs; in ambient temperatures -4°F to 77°F. If ambient temperatures fall outside the -4°F to 77°F range, product is warranted for 5 years according to the operating temperature range specified on the PDS. Up to \$25/unit; registration required. Additional coverage may be available for purchase; contact MaxLite. Excludes EM/MS versions; component warranty applies.



WallMax Full Cutoff Wall Pack

Accessories

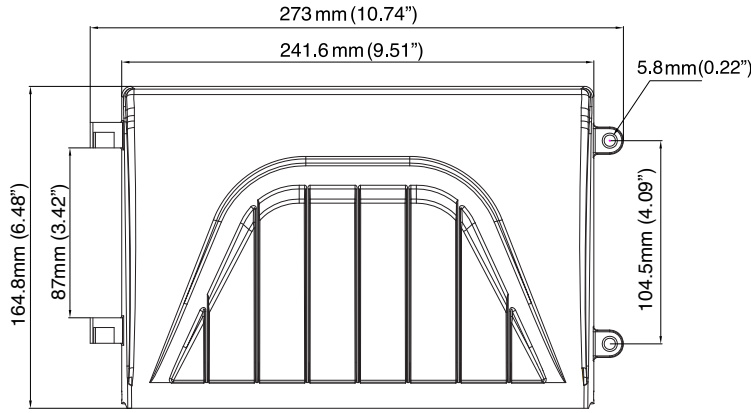
MODEL #	ORDER CODE	DESCRIPTION	IMAGE
CN-RTPCT	105568	C-MAX PHOTOCELL NODE RECTANGULAR	
CN-RTMST	105564	C-MAX RECTANGULAR MOTION SENSOR/PC, REQUIRES REMOTE CONTROL TO PROGRAM	
CN-REMOTE	105567	C-MAX REMOTE CONTROL, AT LEAST ONE REQUIRED PER PROJECT TO PROGRAM MOTION SENSOR	
CEA-RDB*	107785	EXTERNAL BRONZE ADAPTER FOR FIELD INSTALLED ROUND C-MAX CONTROL NODES	
NN-RDB*	105897	C-MAX NETWORK CONTROL NODE ROUND BRONZE (REQUIRES CEA TO INSTALL AND C-MAX APP TO PROGRAM)	
NN-RDMPB*	108255	C-MAX NETWORK CONTROL NODE ROUND MOTION SENSOR/PC BRONZE (REQUIRES CEA TO INSTALL AND C-MAX APP TO PROGRAM)	

*Also available in white

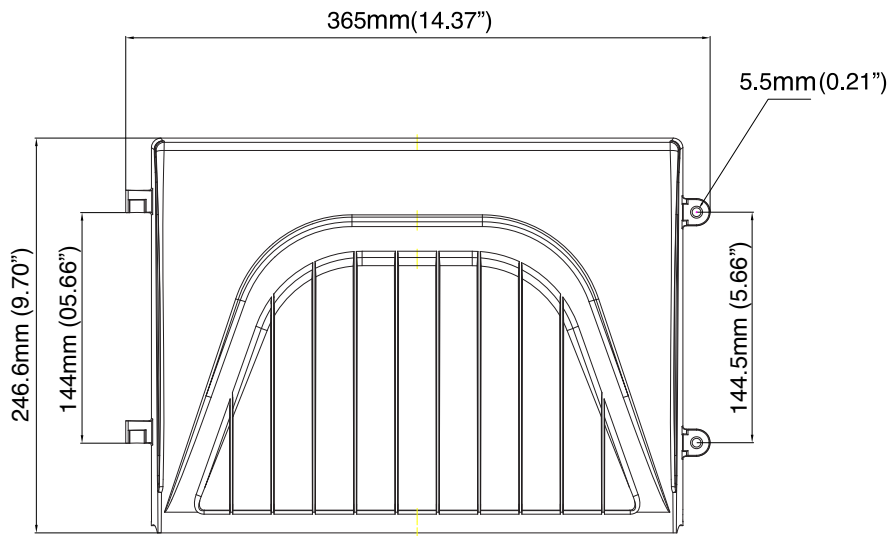
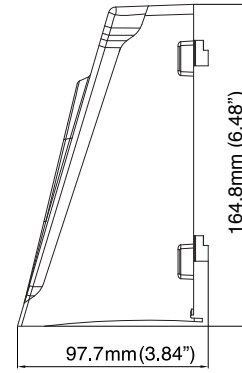
Specifications	WPC15	WPC20	WPC28	WPC40	WPC70	WPC100
	15 WATTS DETAILS	20 WATTS DETAILS	28 WATTS DETAILS	40 WATTS DETAILS	70 WATTS DETAILS	100 WATTS DETAILS
CCT	SELECTABLE BETWEEN 3000/4000/5000K					
Input Power (W)	15	20	28	40	70	100
Efficacy (lm/W)	140 - 153	140 - 150	135-146	137-145	135-144	124-135
Lumens	2,100-2,300	2,800-3,000	3,800-4,100	5,500-5,800	9,450-10,100	12,400-13,500
CRI	≥80					
L70 Lifetime (hrs)	>100,000					
Voltage	120-277V	120-277V	120-277V (277-480V available)			
Power Factor	≥0.9					
Dimming	0-10V and high-end trim (with c-Max Controls)					
Controls	Photocell with on/off switch included and compatible with field installable c-Max controls standard, Avi-On Controls available as an option					
Battery Backup	120V or 277V only, 800-900 lumens, 1fc minimum in 10'x10' grid at 10-11' mounting height					
Operating Temperature	-22°F to 104°F (-30°C to 40°C)					
Certification	cULus, DLC Premium, FCC, T24 and RoHS Compliant					
Construction	Die Cast Aluminum housing with corrosion resistant polyester paint and UV stabilized impact resistant polycarbonate lens					
Environment	Outdoor Wet Location and IP65					
Warranty	10 Year Standard Warranty					

WallMax Full Cutoff Wall Pack

Dimensions



15-28W MODELS



40-100W MODELS

