

WARNING

WARNING — THE INSTALLATION MUST BE CARRIED OUT BY A QUALIFIED ELECTRICIAN.



1. LED Linear Strip Lights are suitable for using in damp locations
2. Please keep the LED Linear Strip Lights away from any corrosive substance, and please use dry cloth when you clean it
3. LED Linear Strip Lights can only be installed by a qualified electrician
4. Before installation or maintenance, please disconnect the power to prevent electric shock



Application Notice

1. Please check and make sure there is no sign of physical damage to the product when unpacking. DO NOT use damaged products
2. Turn OFF the power at the fuse box or circuit breaker before beginning installation. The fixture is suitable for indoor damp locations
3. DO NOT use or install this product in areas of direct weather exposure or near sources of water and/or heat
4. Please keep this device out of the reach of children under 3 years of age

CAUTION

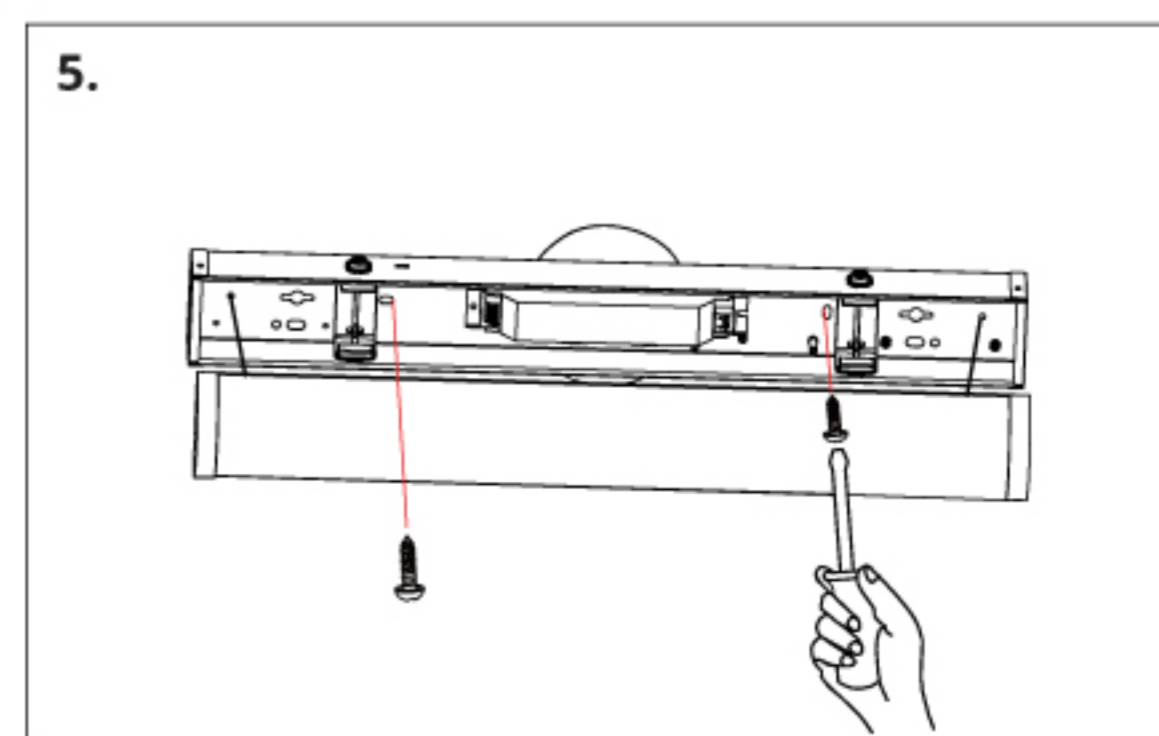
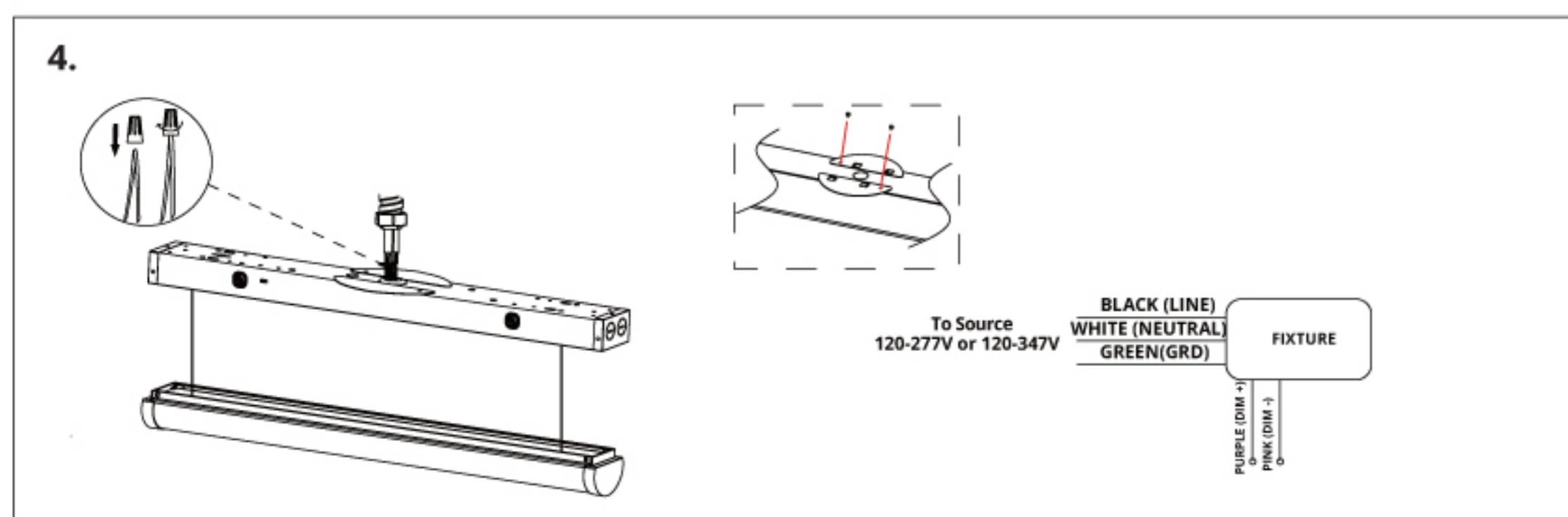
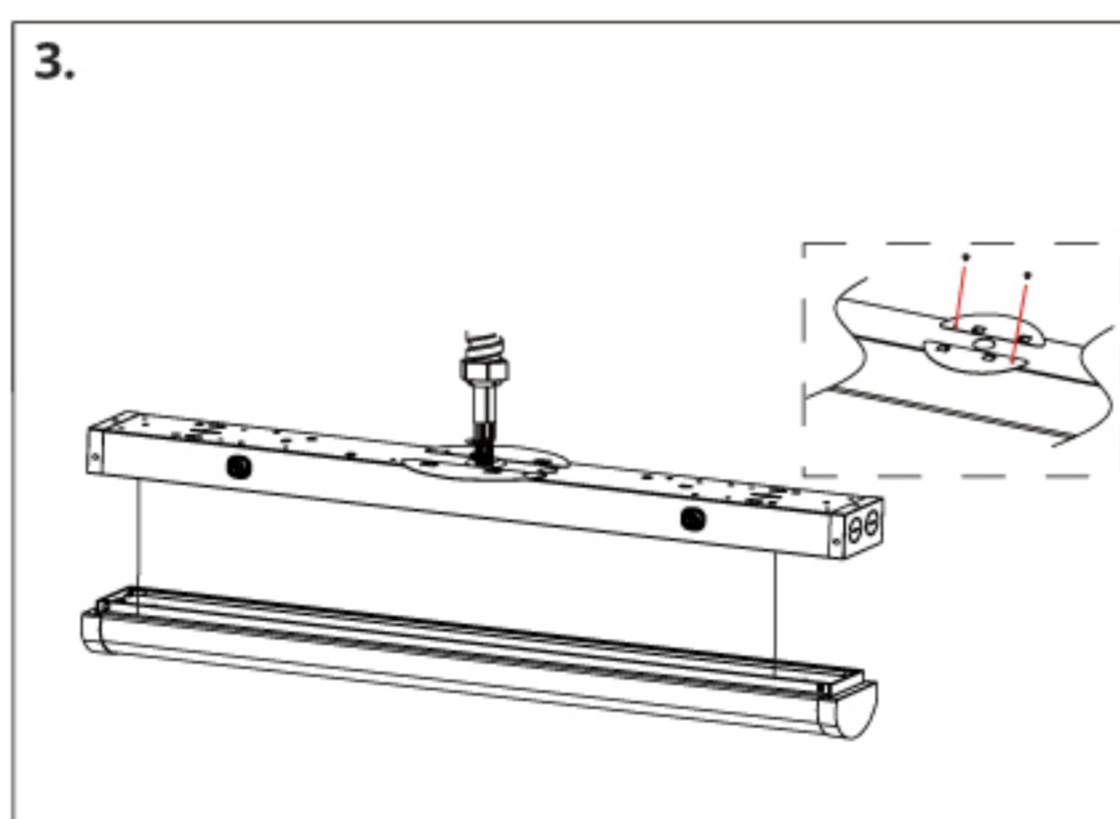
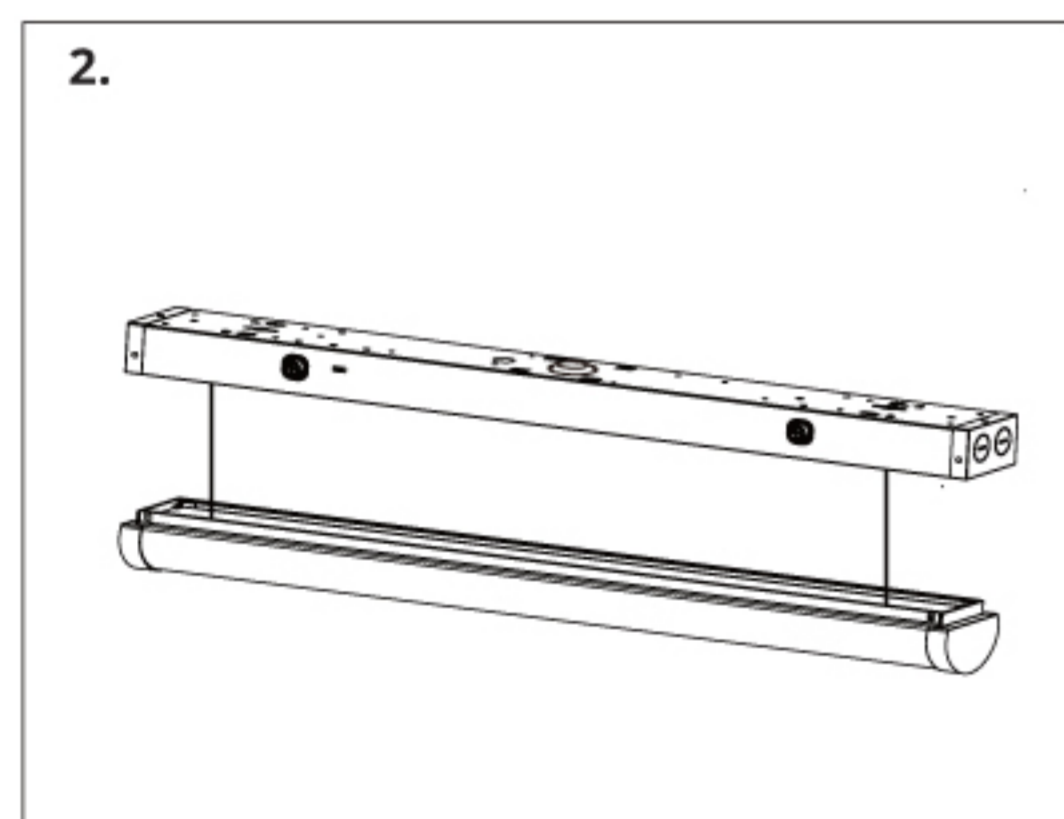
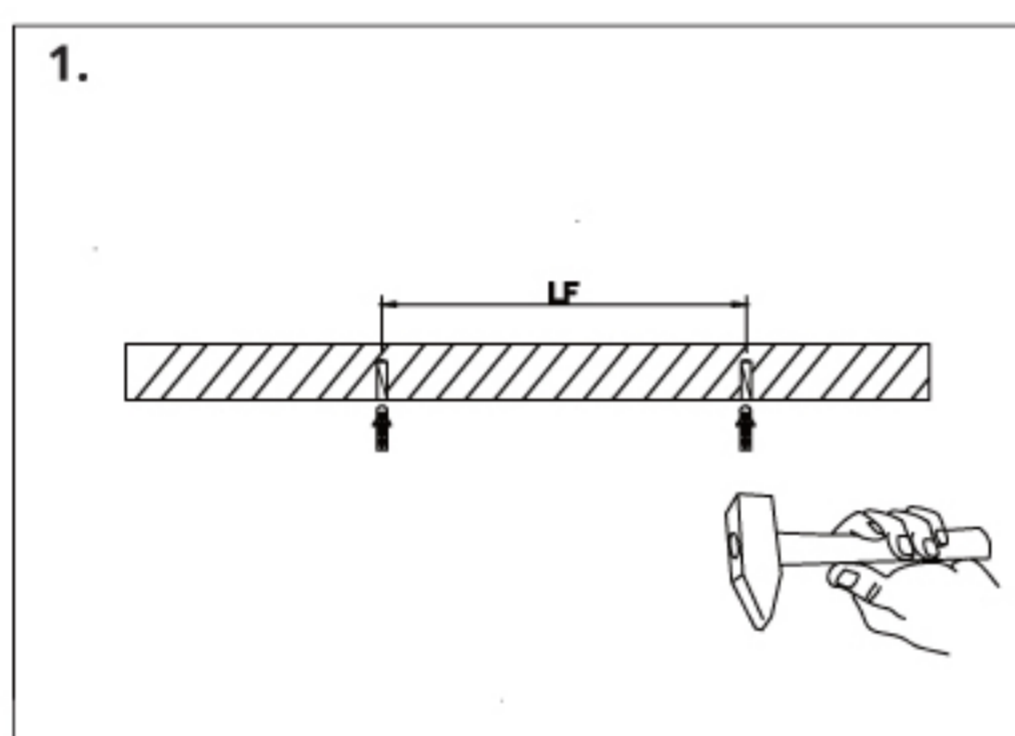
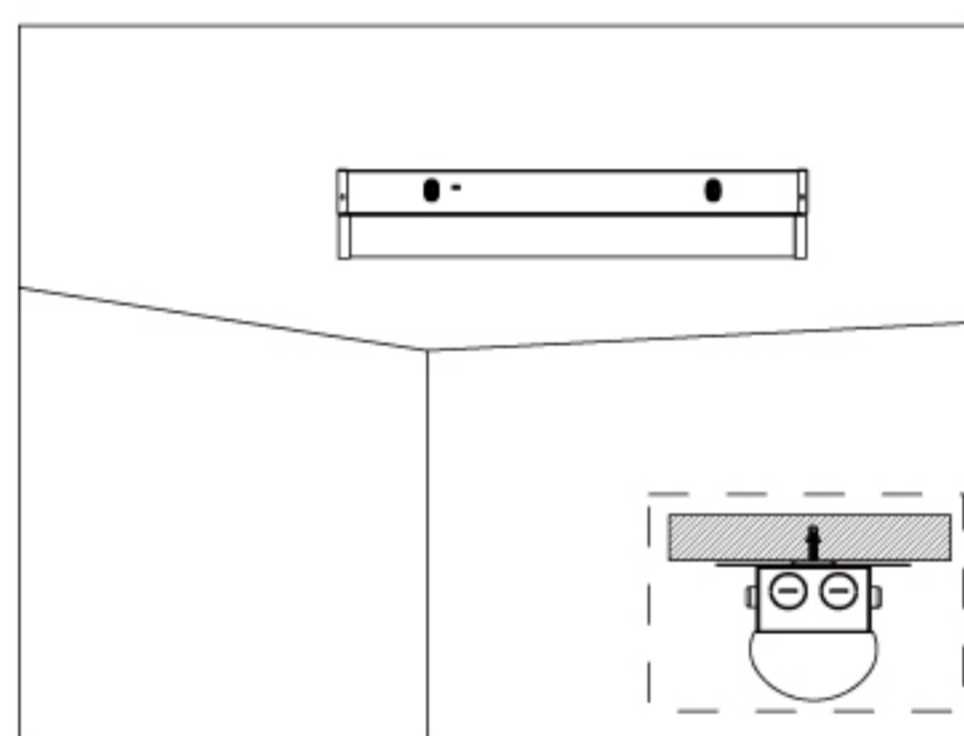
PLEASE READ INSTRUCTION BEFORE COMMENCING INSTALLATION AND RETAIN FOR FUTURE REFERENCES.

Electrical products can cause death or injury, or damage to property.

If in any doubt about the installation or use of this product, consult a competent electrician.

INSTALLATION GUIDE

Surface Mounted Installation



1. Punch a hole on the wall and put the expansion tube inside.

2. Swing open fixture by pushing in/squeezing both buttons located on opposite ends.

3. Run the fixture's power wires through the center hole, of the round J-box adapter. Slide and secure the round J-Box adapter on the center slots located on the back of the fixture.

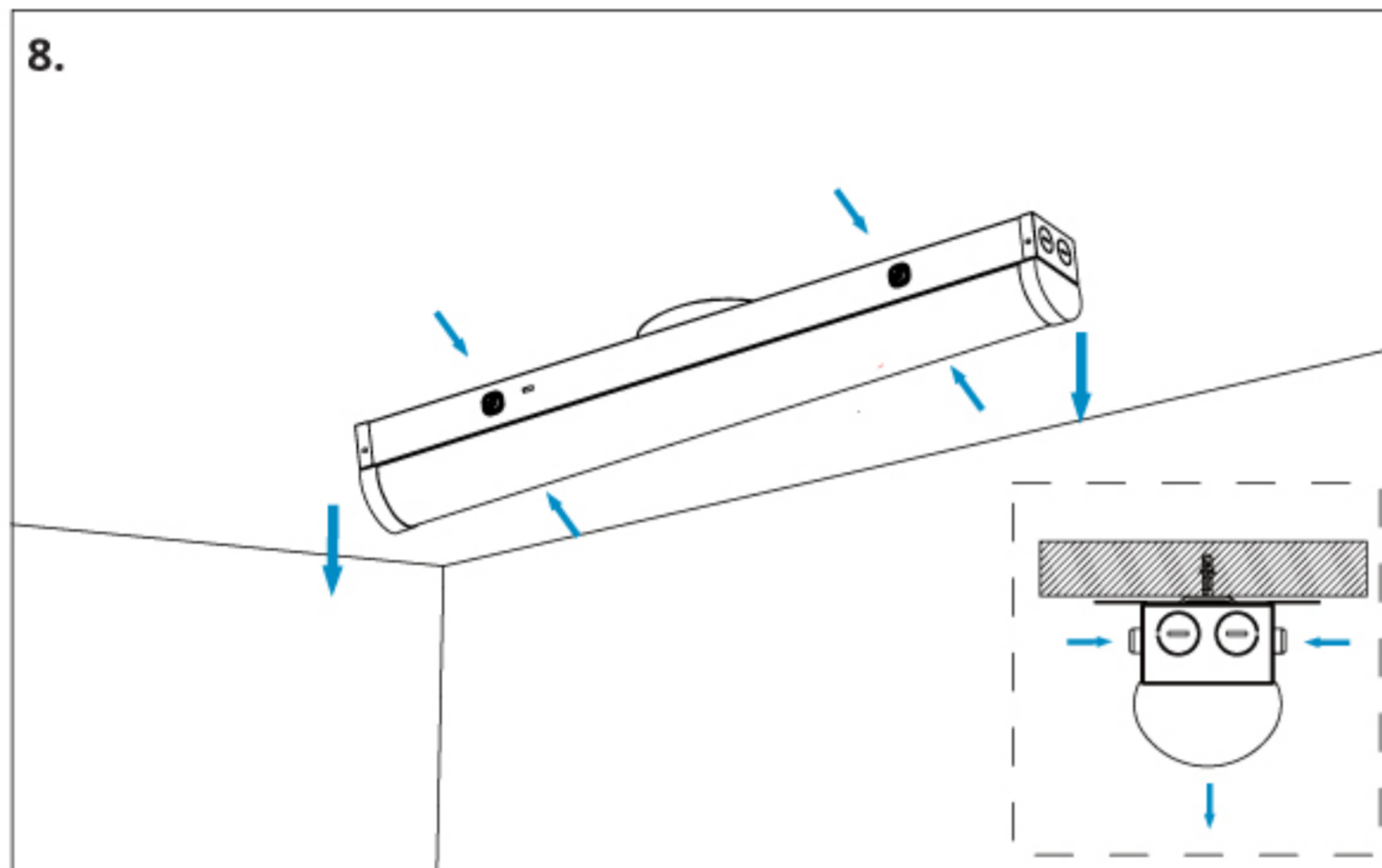
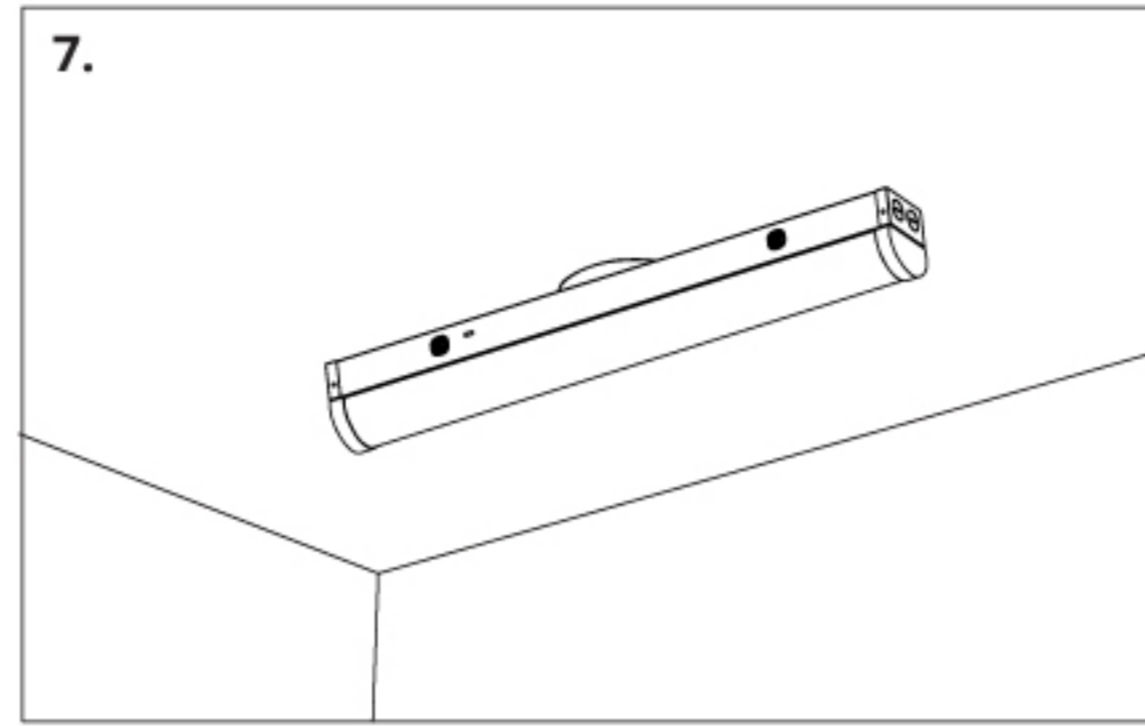
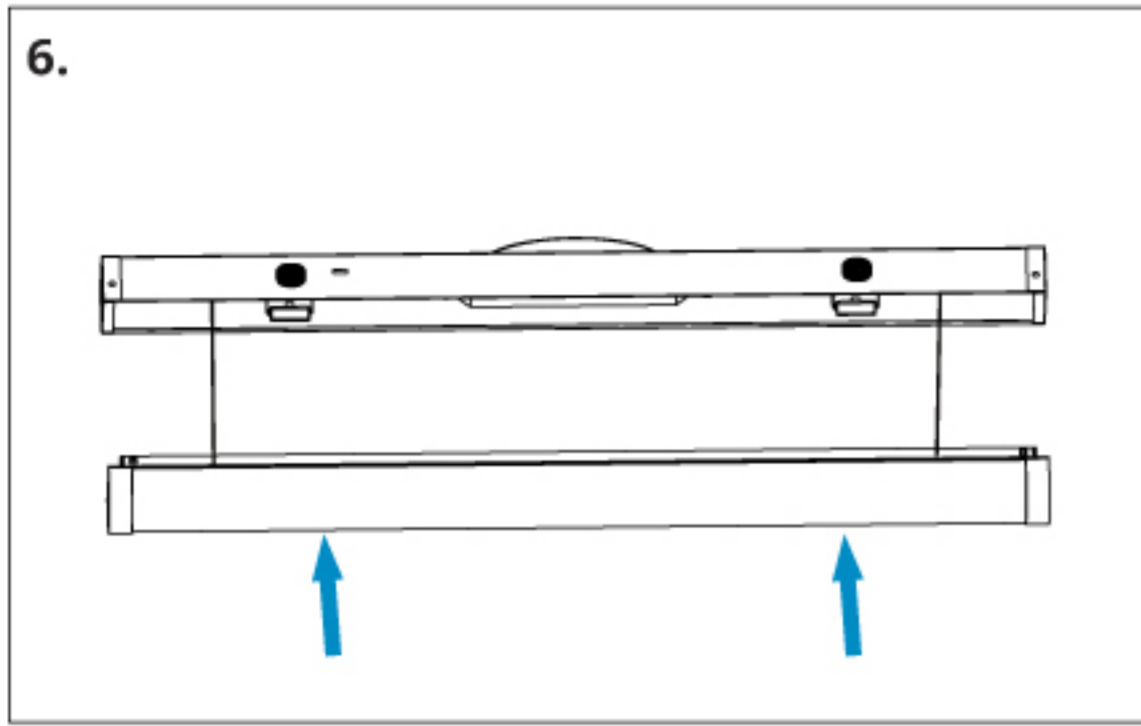
Note: J-Box adapter is used to cover the Junction Box.

4. Turn off the power and make wiring by using wire nuts according to wiring diagram.

5. Secure the fixture to the wall with the correct mounting hardware.

INSTALLATION GUIDE

Surface Mounted Installation

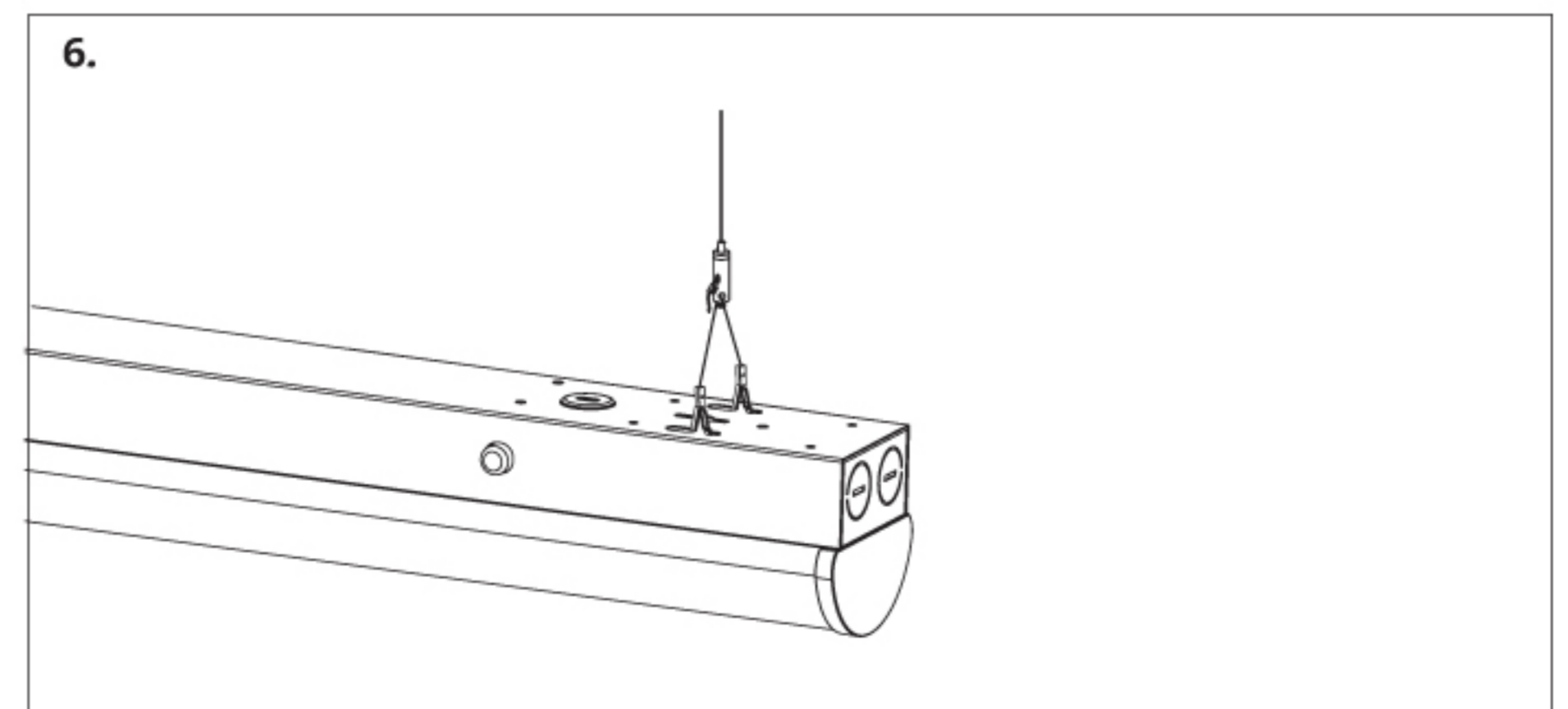
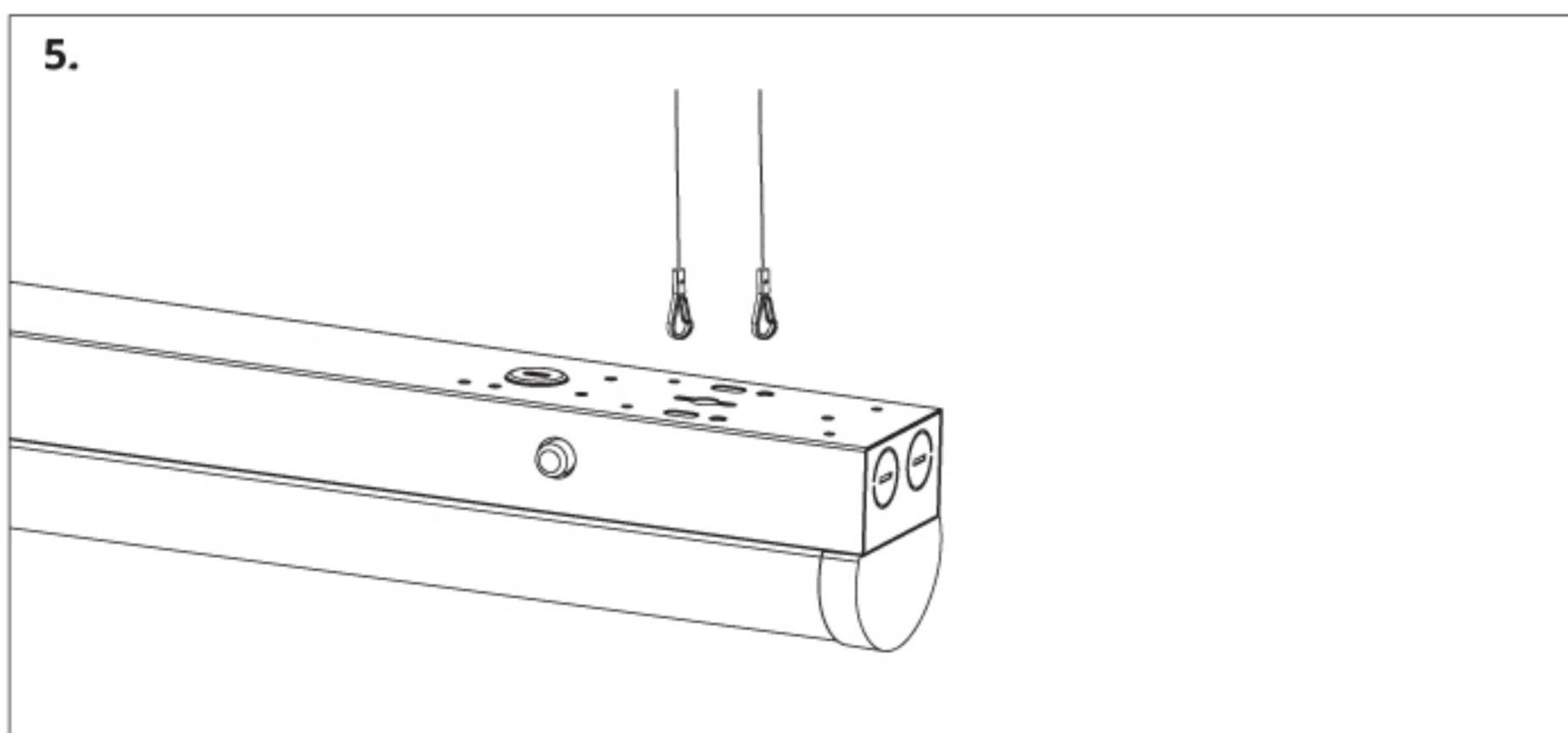
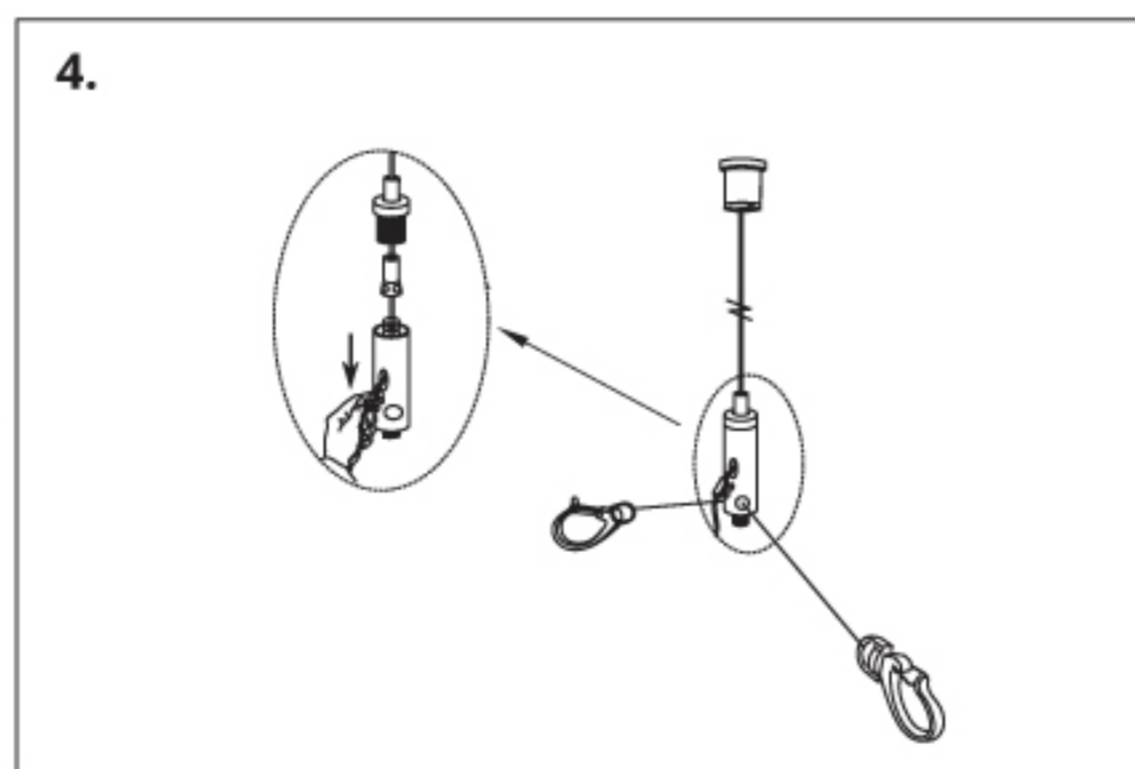
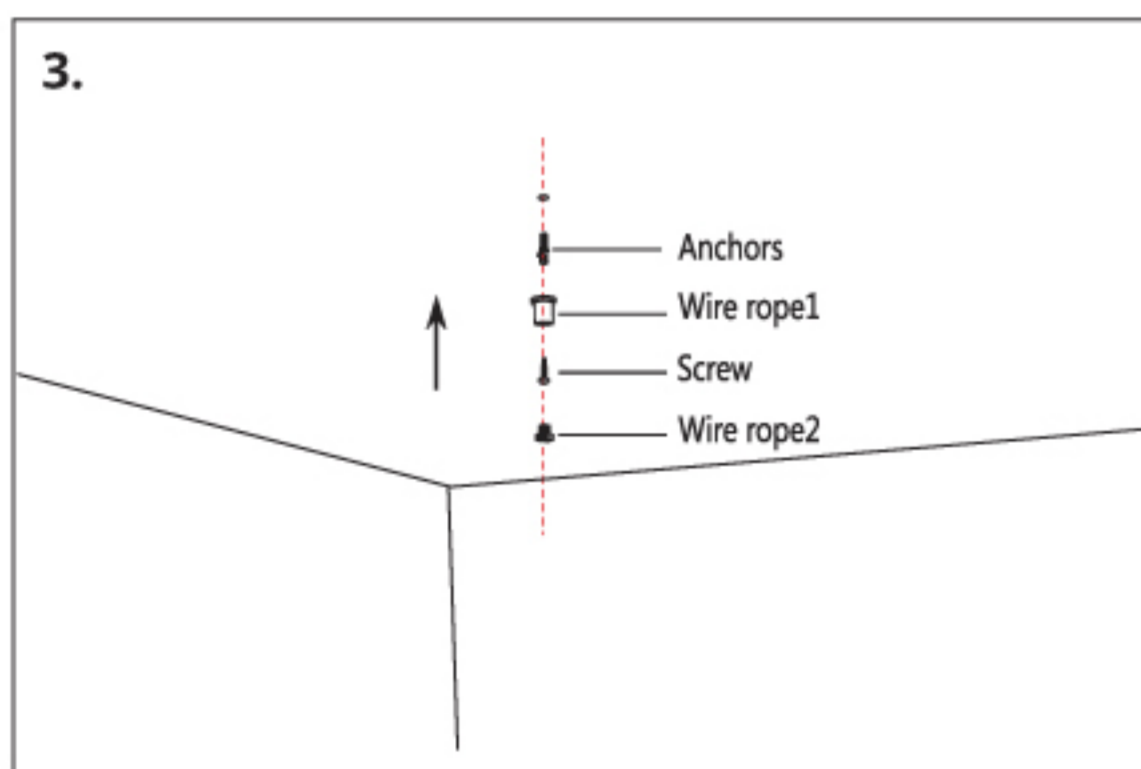
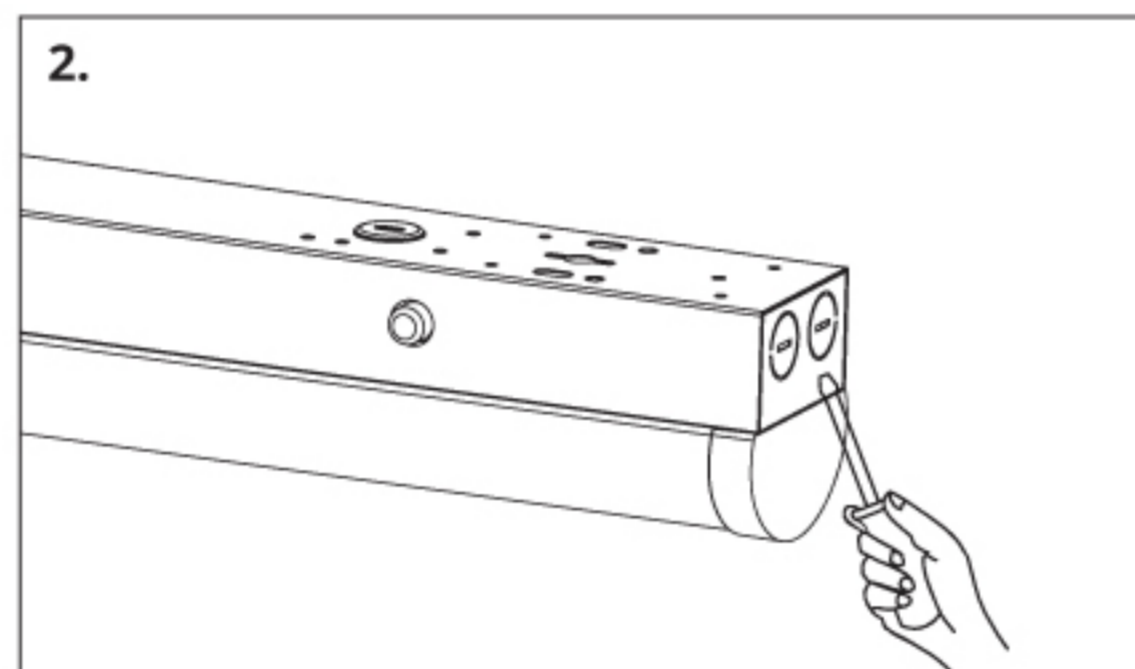
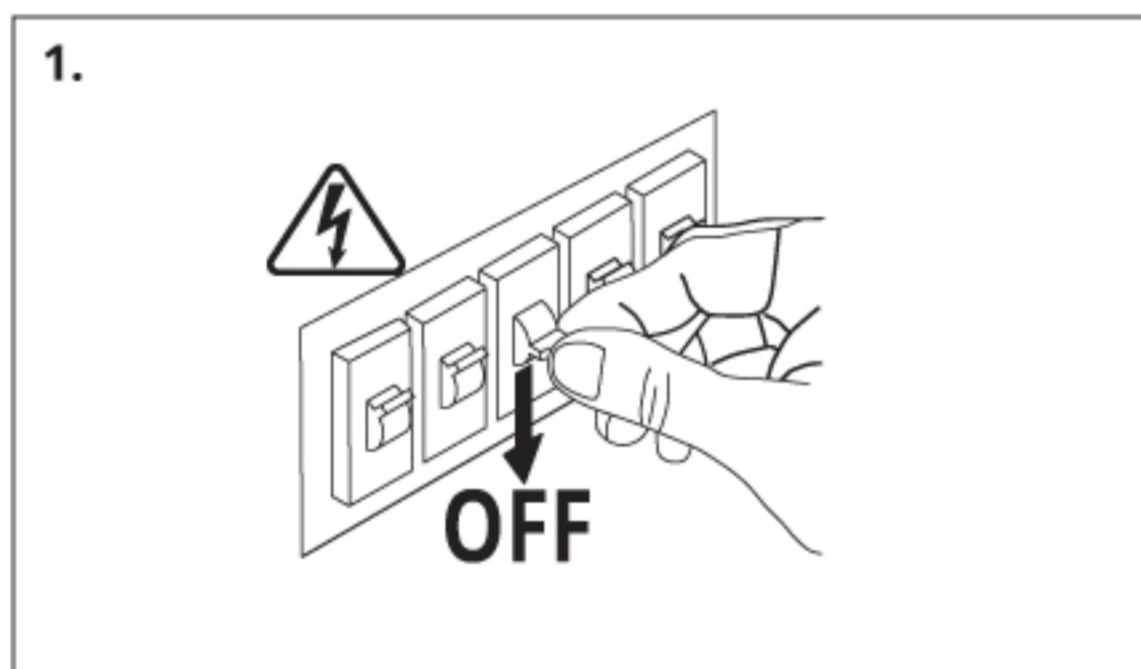


6. Press upward the cover and lock it with springs tightly which located into the fixture.

7. The installation is completed and energize the luminaire to verify operation.

8. Swing open fixture by pushing in/squeezing both buttons located on opposite ends, If need to disassemble the fixture.

Suspending Installation



1. Turn off the power.

2. Screwed off the knockout hole at the end of lamp body.

3. Drill holes on the wall as well as lock the accessories orderly (as shown).

4. Adjusting the length of safety rope after locked.

5. Lift up the light, fasten the hooks to the lamp.

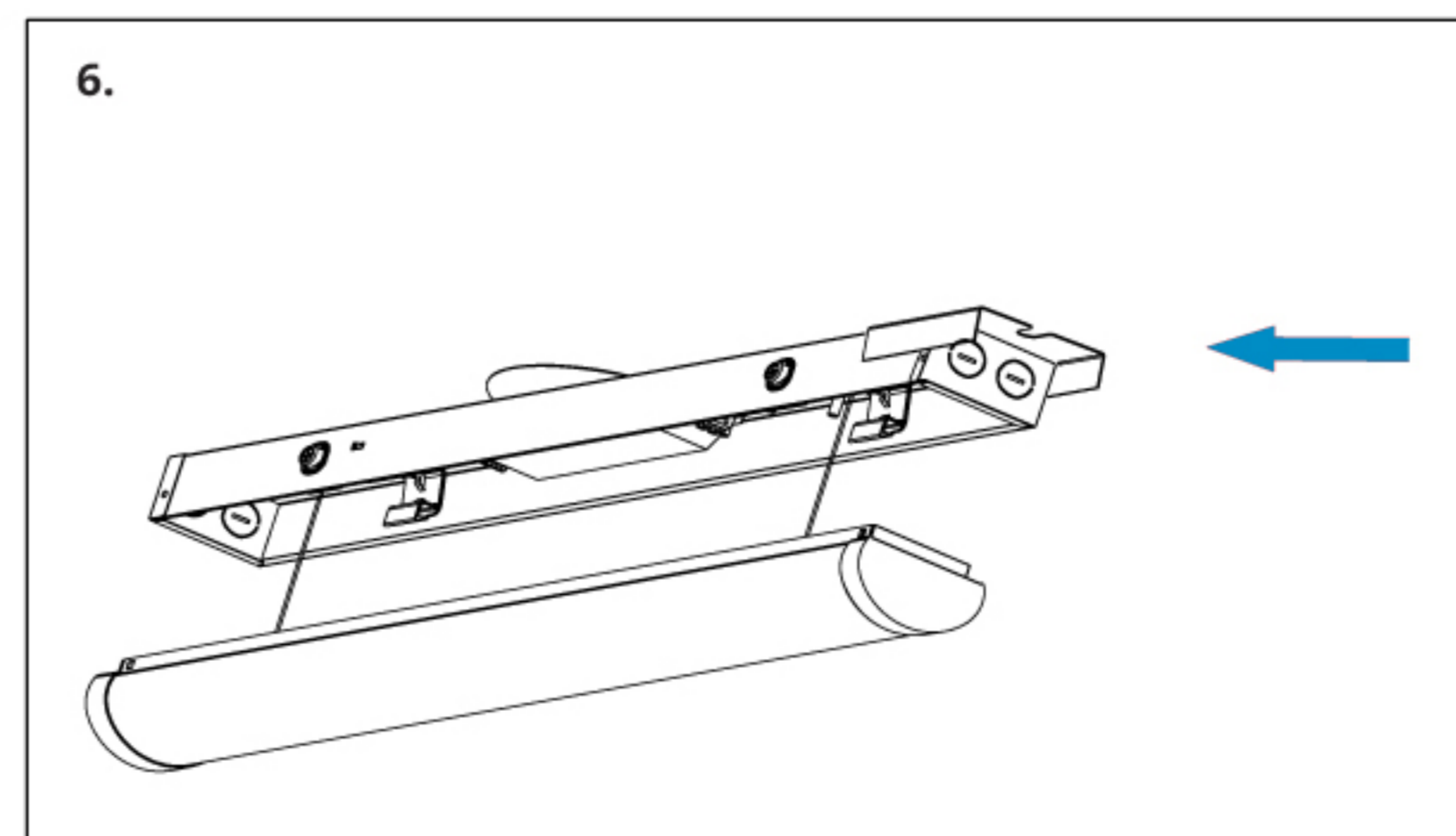
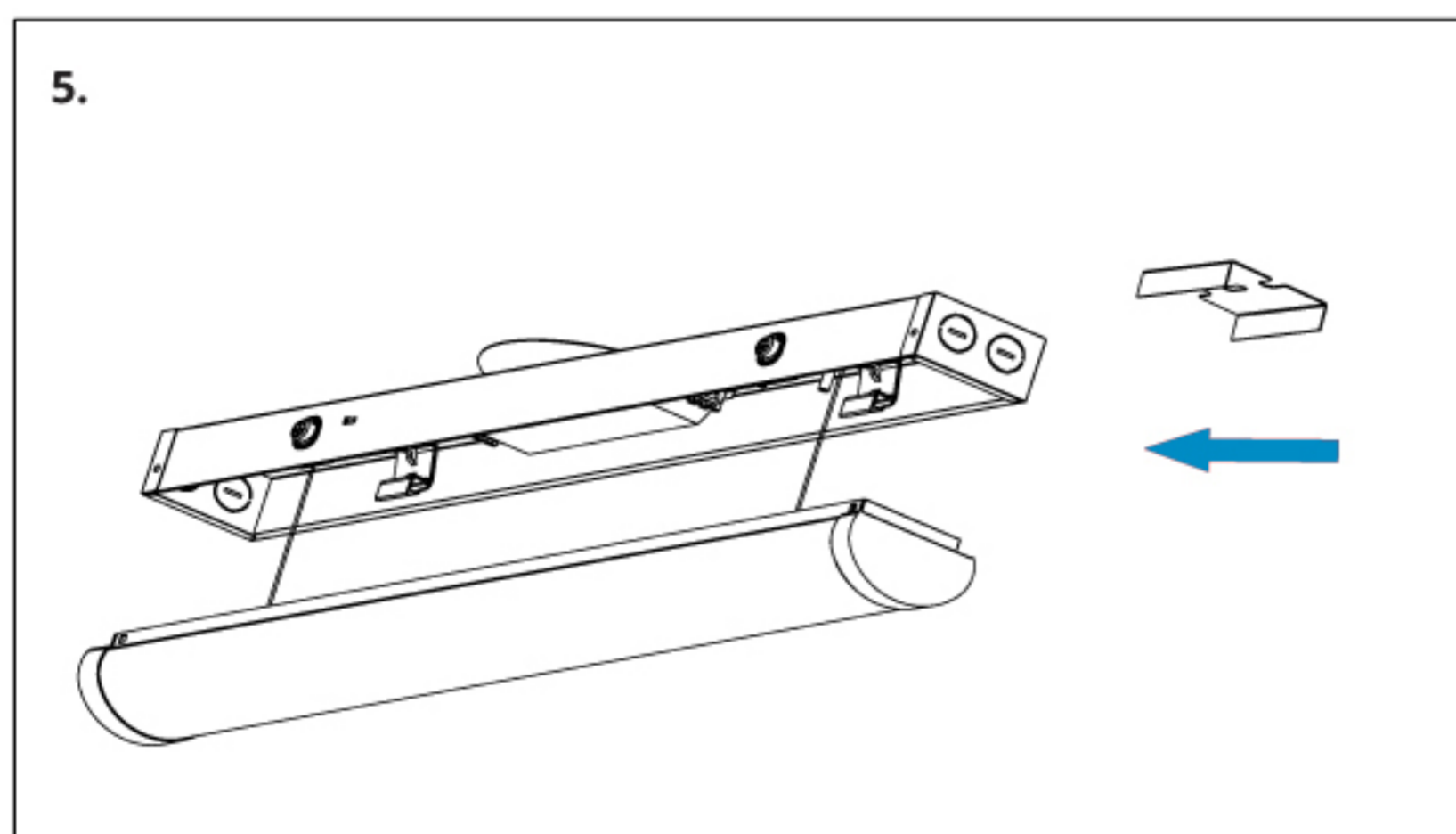
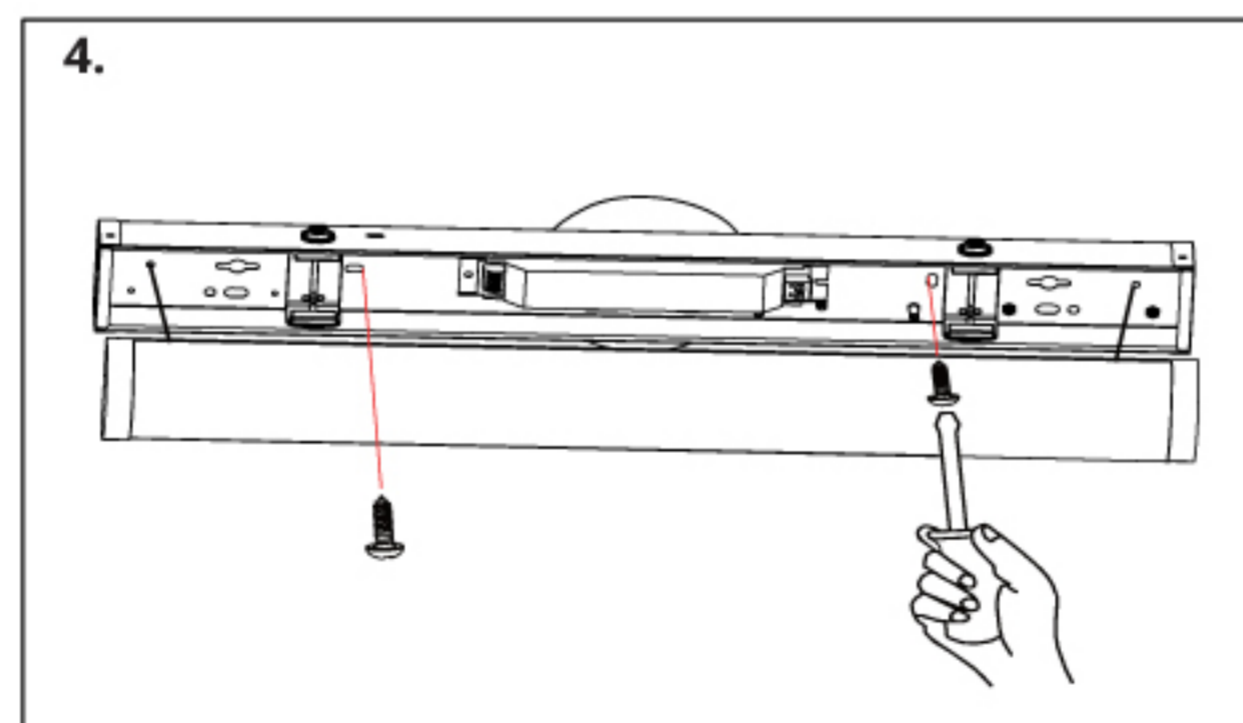
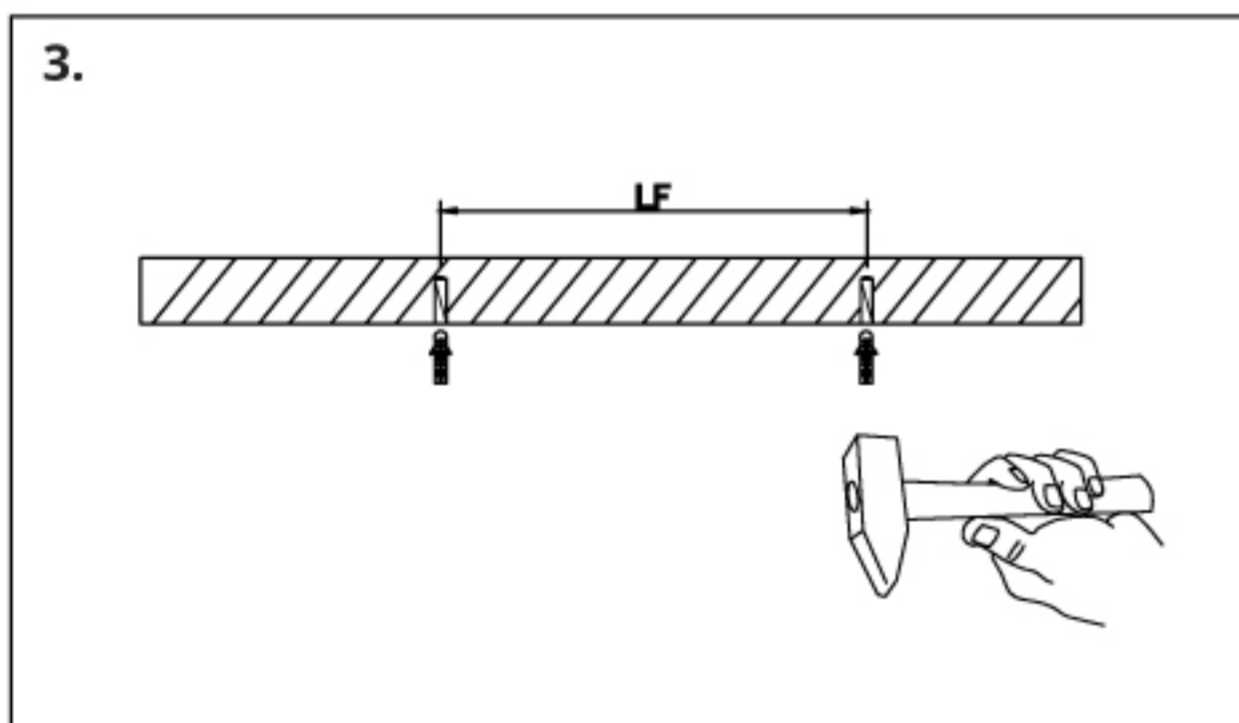
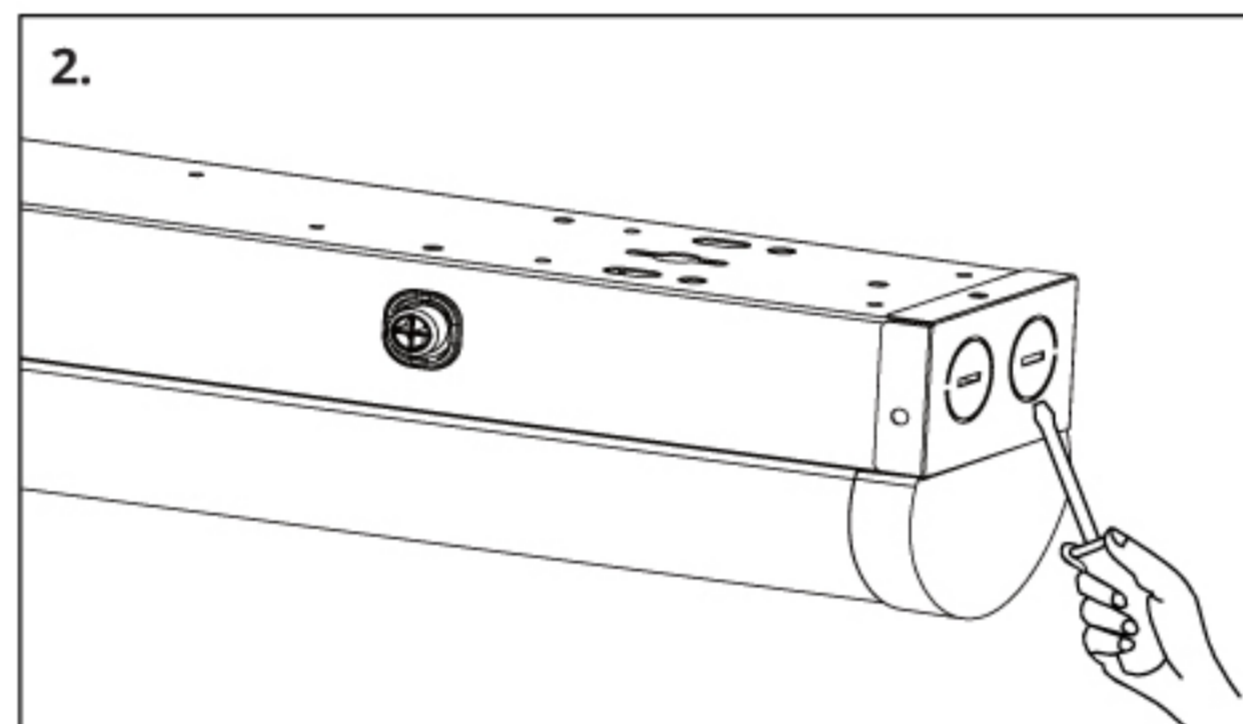
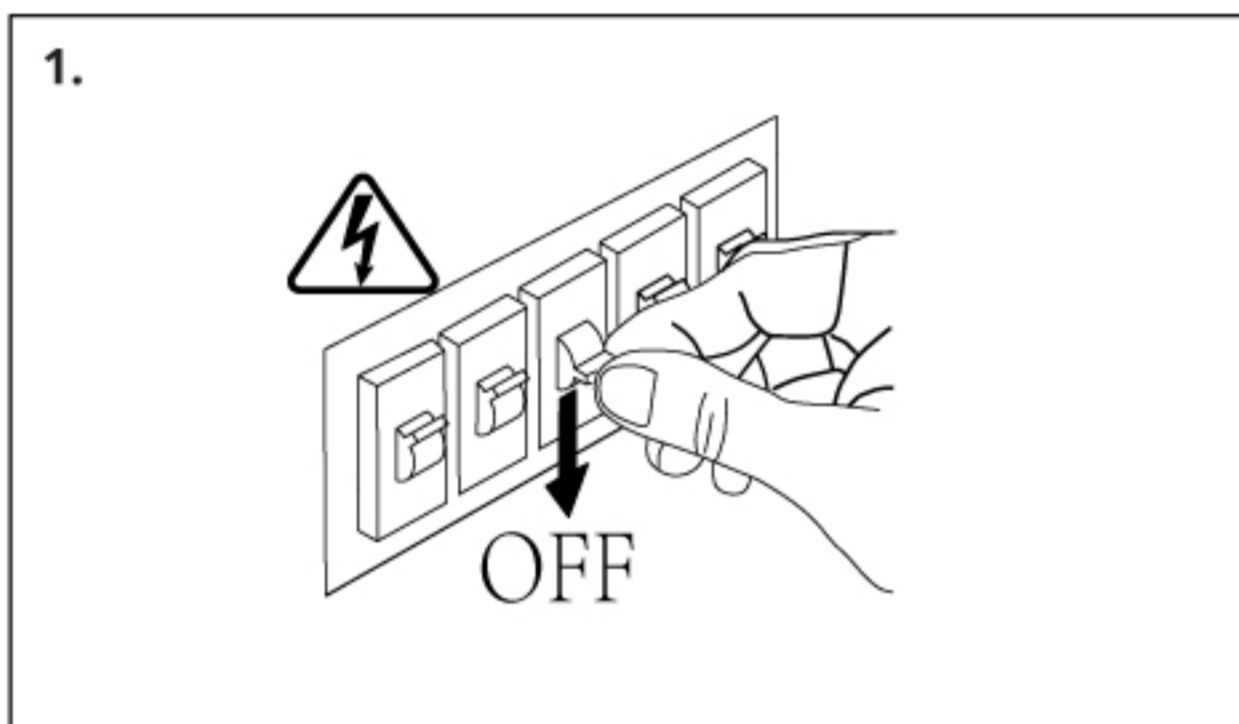
6. Finished safety rope installation as shown.

INSTALLATION GUIDE

Parts List (sold separately)

Continuous Row Mounting-4FT	
	Parts: (1) Connection Bracket (1) Harness set (5) Wire Nuts (2) Anchors (10) Screws (2) Self-adhesive Cable Ties (2) Safety Rope
Continuous Row Mounting-8FT	
	Parts: (1) Connection Bracket (1) Harness set (5) Wire Nuts (4) Anchors (12) Screws (4) Self-adhesive Cable Ties (4) Safety Rope

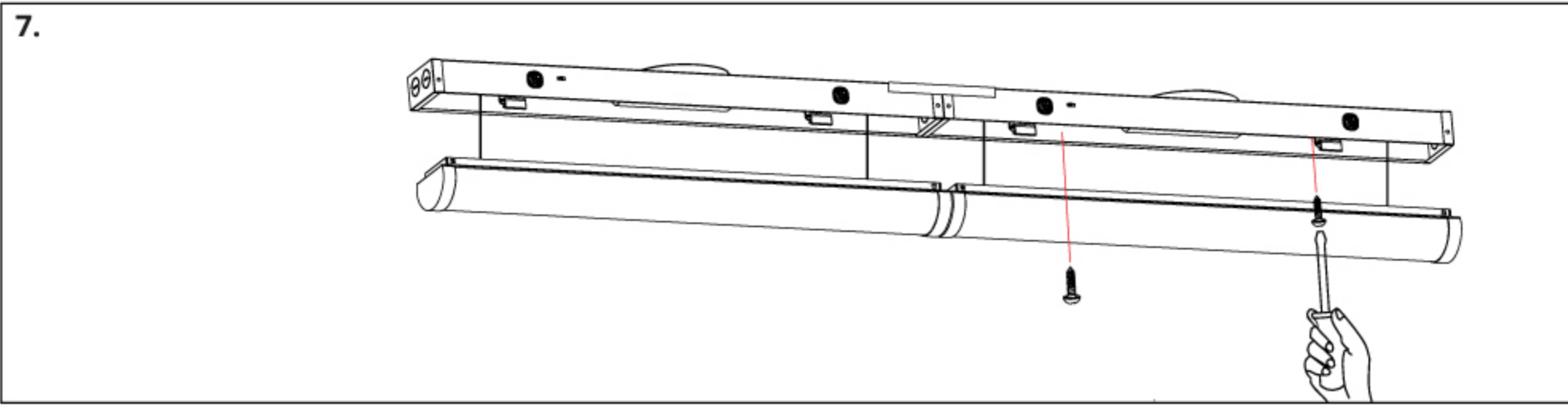
Surface Mounting Continuous Row Mounting (daisy connection)



1. Turn off the power.
2. Screwed off the knockout hole at the end of lamp body.
3. Drill holes at a suitable position on the wall and drive the anchor into the wall.
4. Use a screwdriver to tighten the screws to fix the lamp body on the wall.
5. Fix the connection bracket on the wall.
6. Insert the strip light into the connection bracket, then drill holes at a suitable position in the wall for installing the next strip light.

INSTALLATION GUIDE

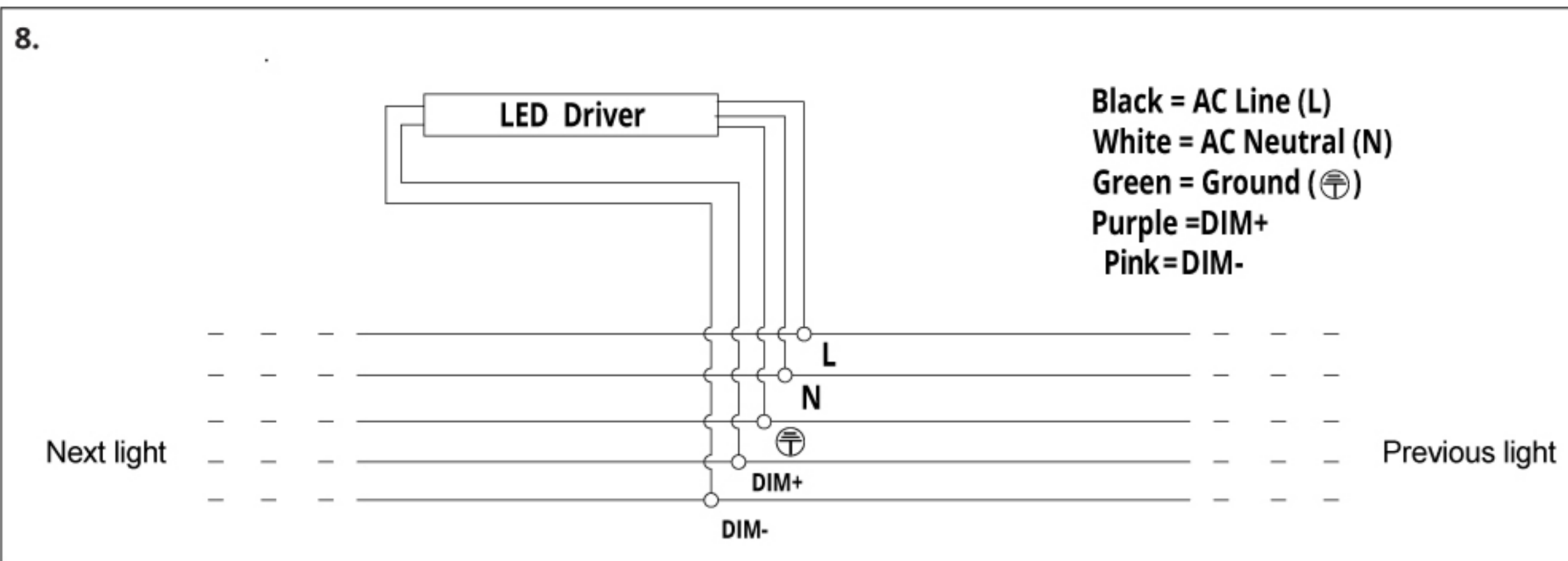
Surface Mounting Continuous Row Mounting (daisy connection)



7. Fix the lamp body on the wall by screws, complete the installation, repeat the previous procedure to install the 3rd strip light, 4th strip light, etc.

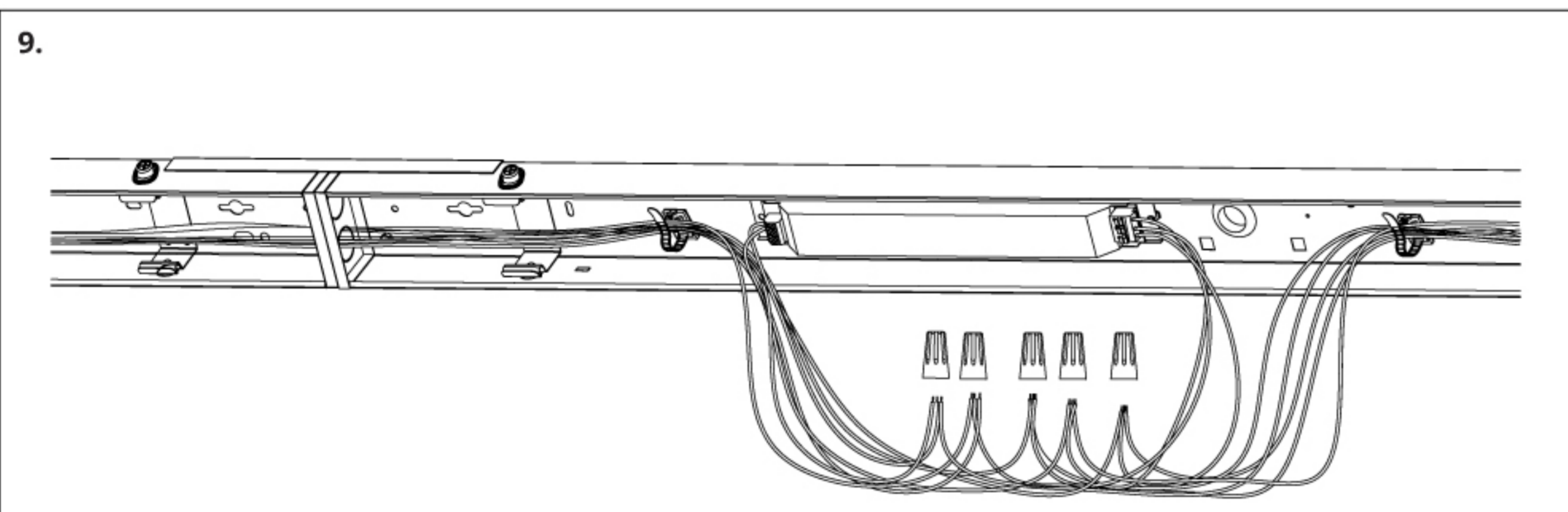
6. Press upward the cover and lock it.

7. The installation is completed and energize the luminaire to verify operation.



8. Wiring Diagram.

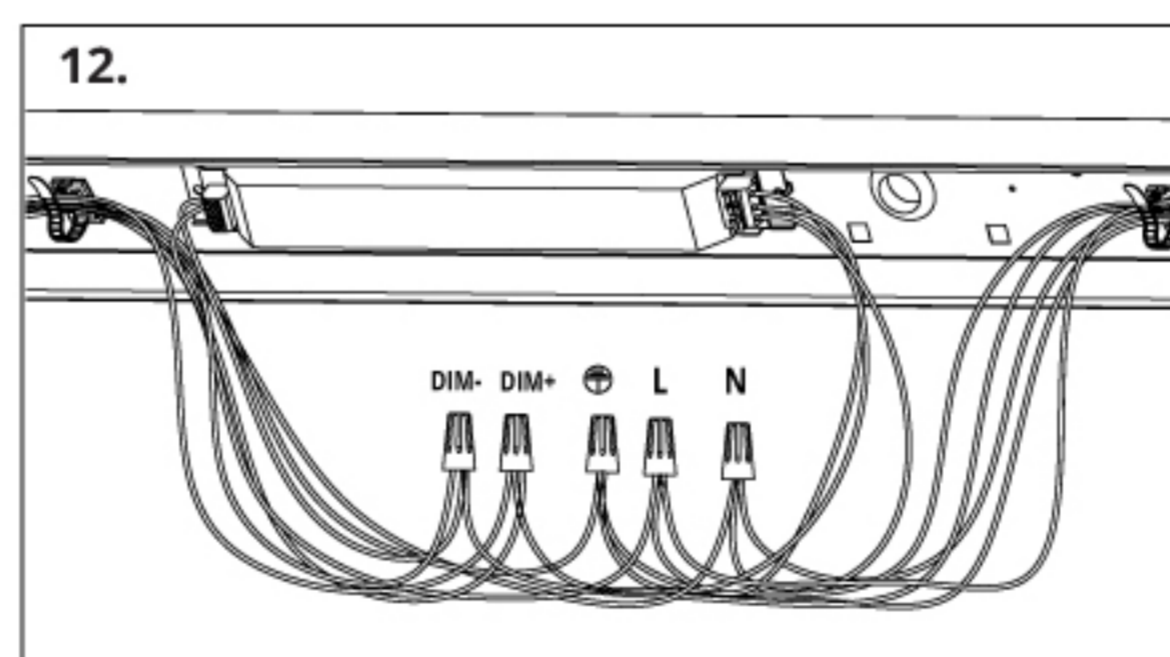
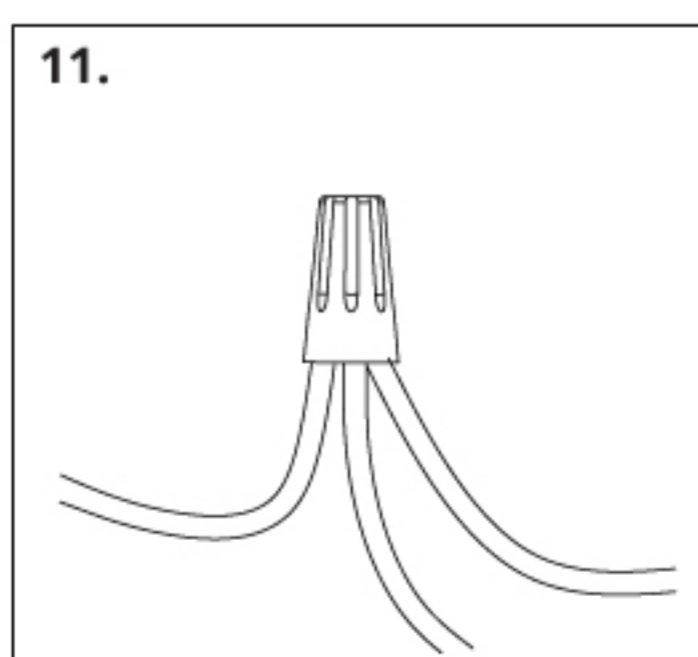
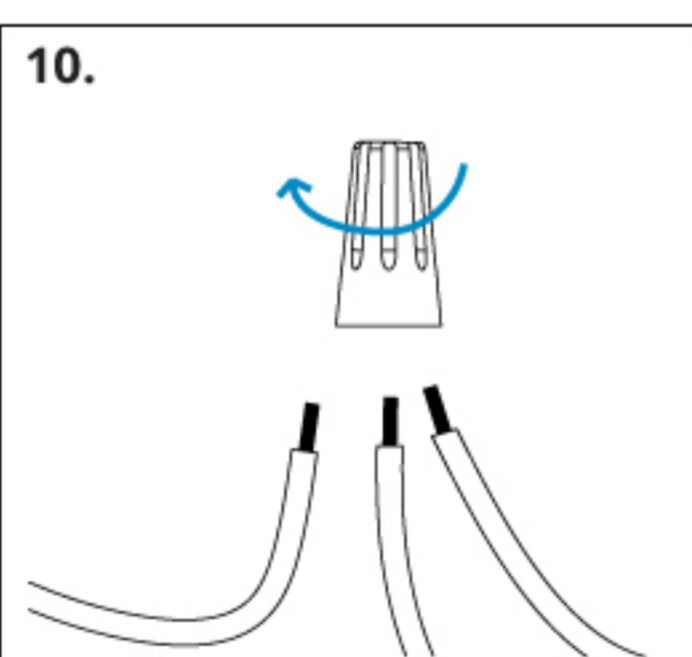
9. Take the black/white/green wire harness and connect to the existing wire connectors on the input wires of the driver respectively. When using the dimming function, take the purple and pink wire harness and make connection to driver. Please make wiring connection using the wiring diagram in Step 8.



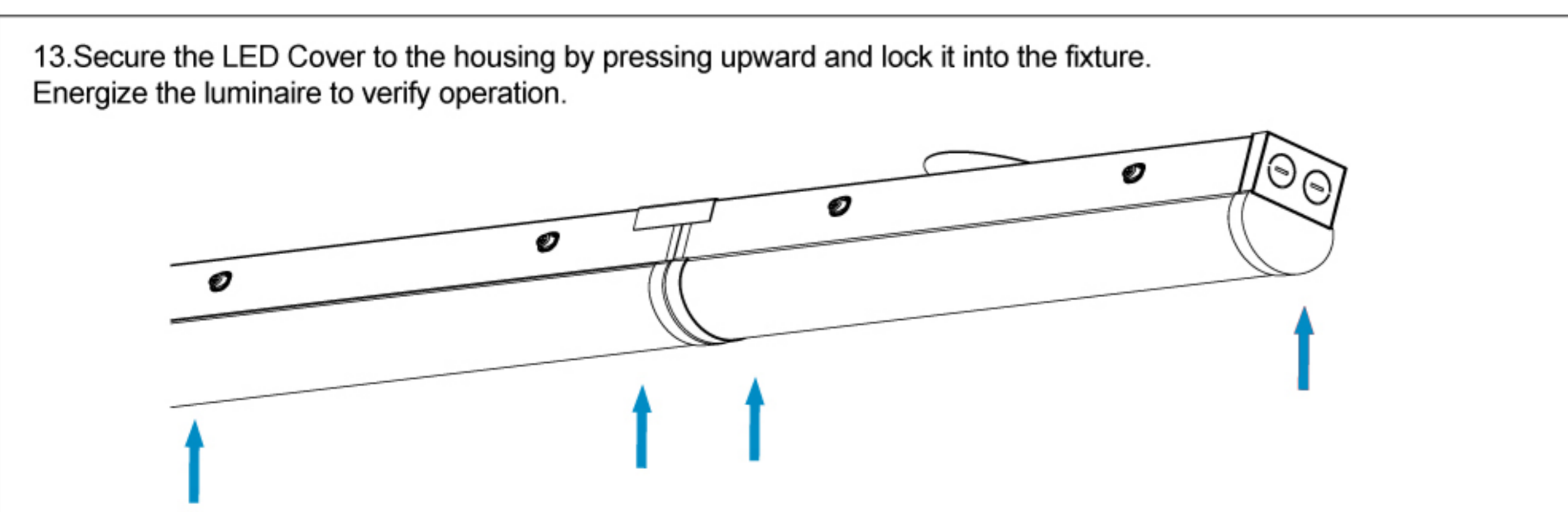
10. The same type of electronic wires are inserted into the same wire nut and combined into a parallel circuit.

11. Tighten the wires in the wire nut as the photo shows below.

12. Once wiring is completed, take wire harness and run it through the knockouts of the connecting fixture. Use self-adhesive cable ties to eliminate any cable tangles and clutter.

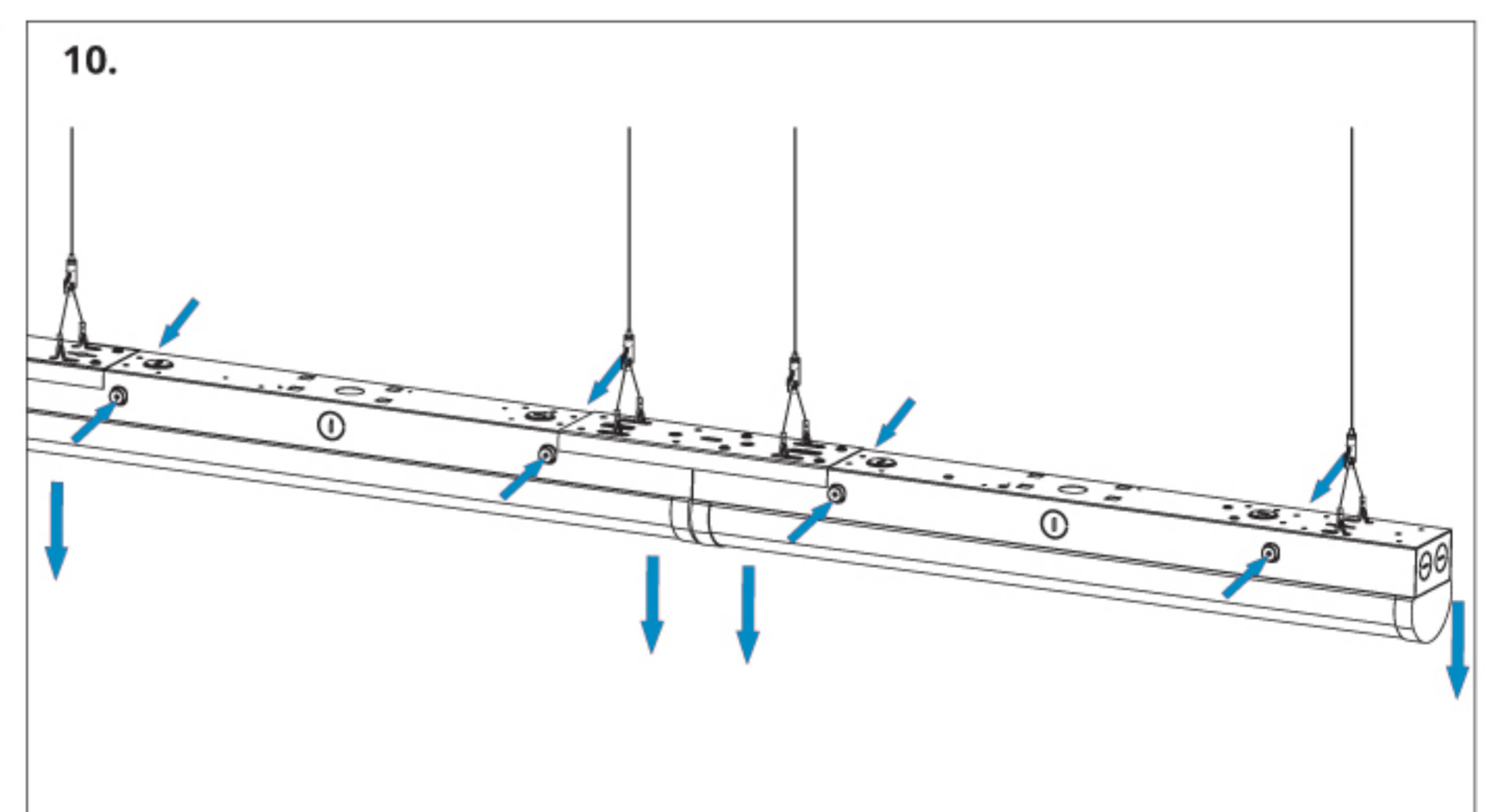
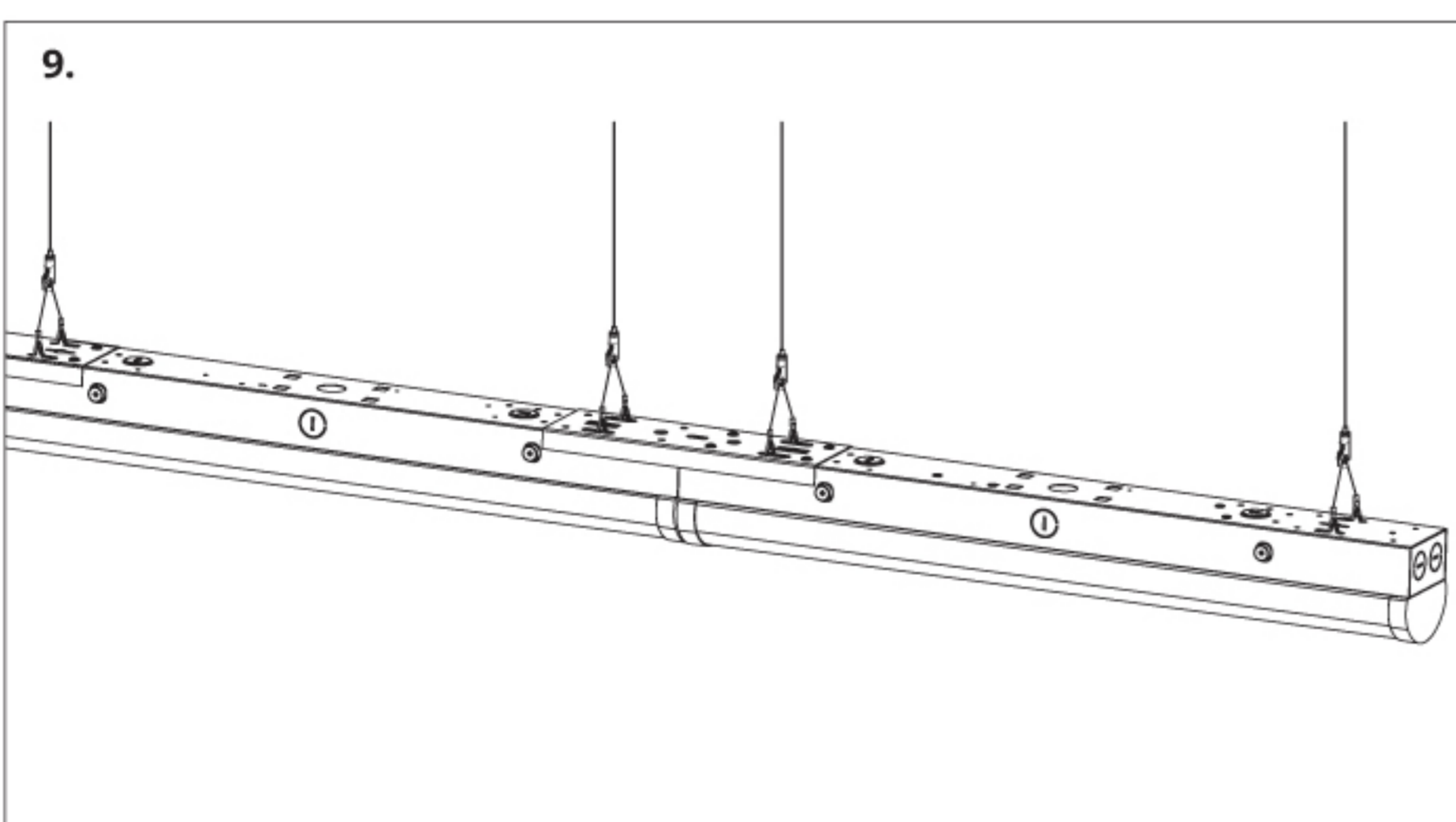
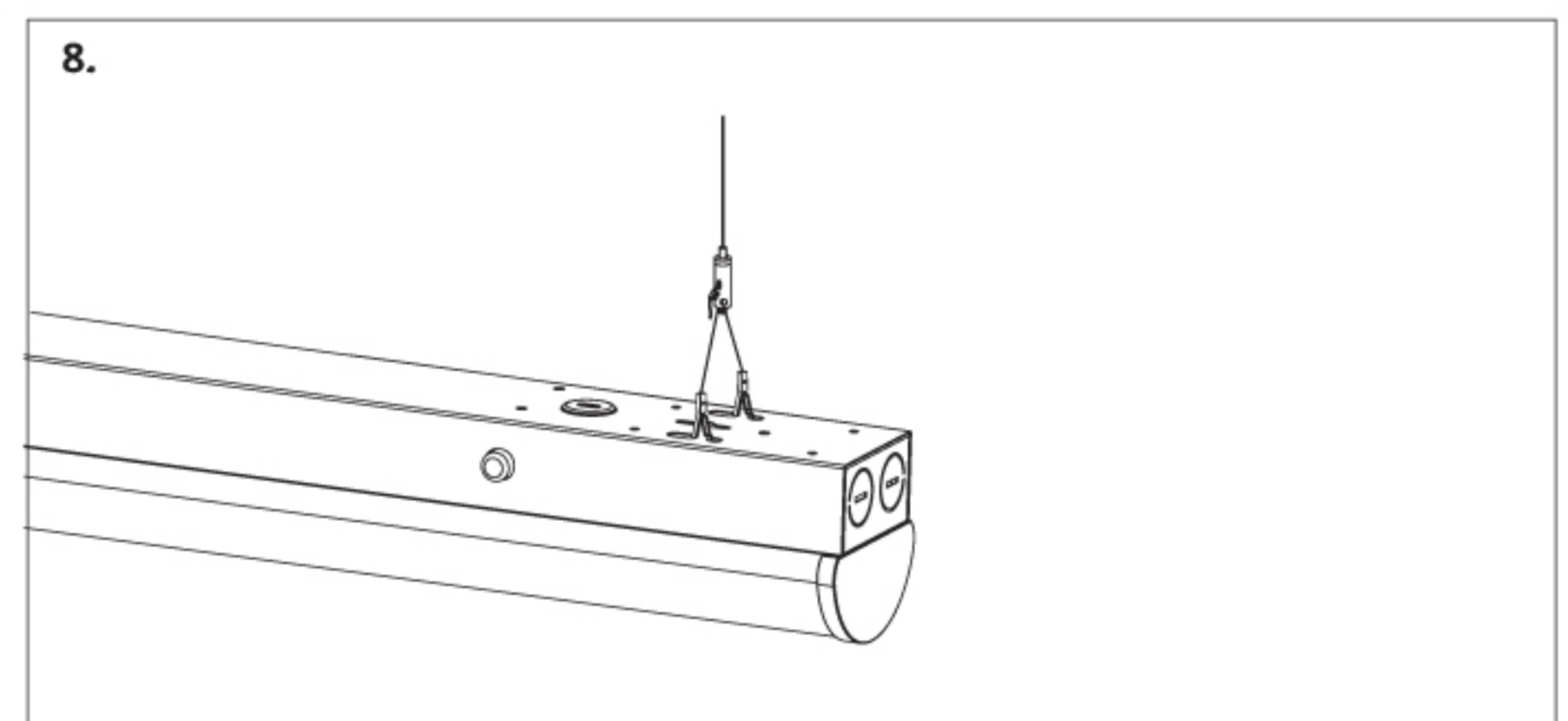
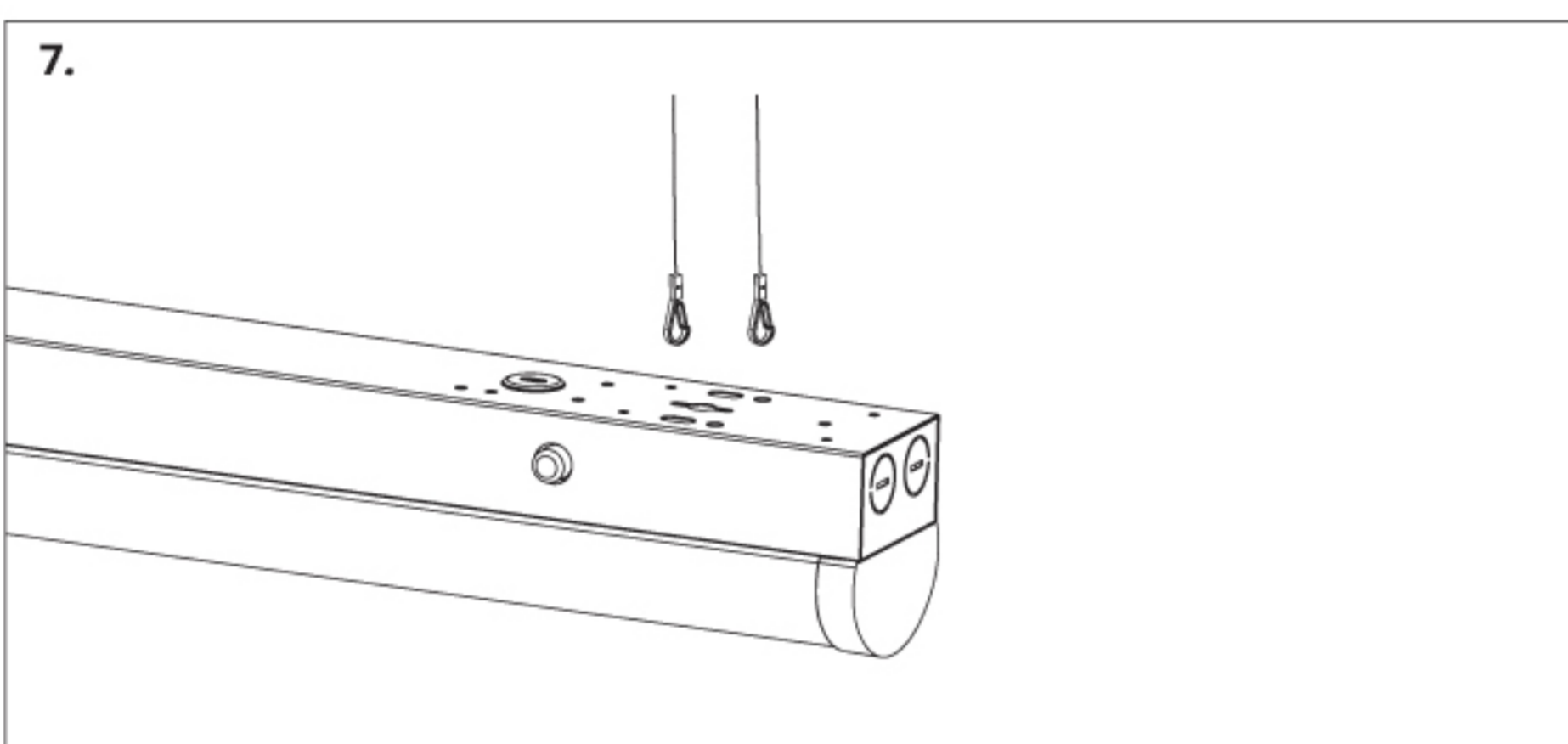
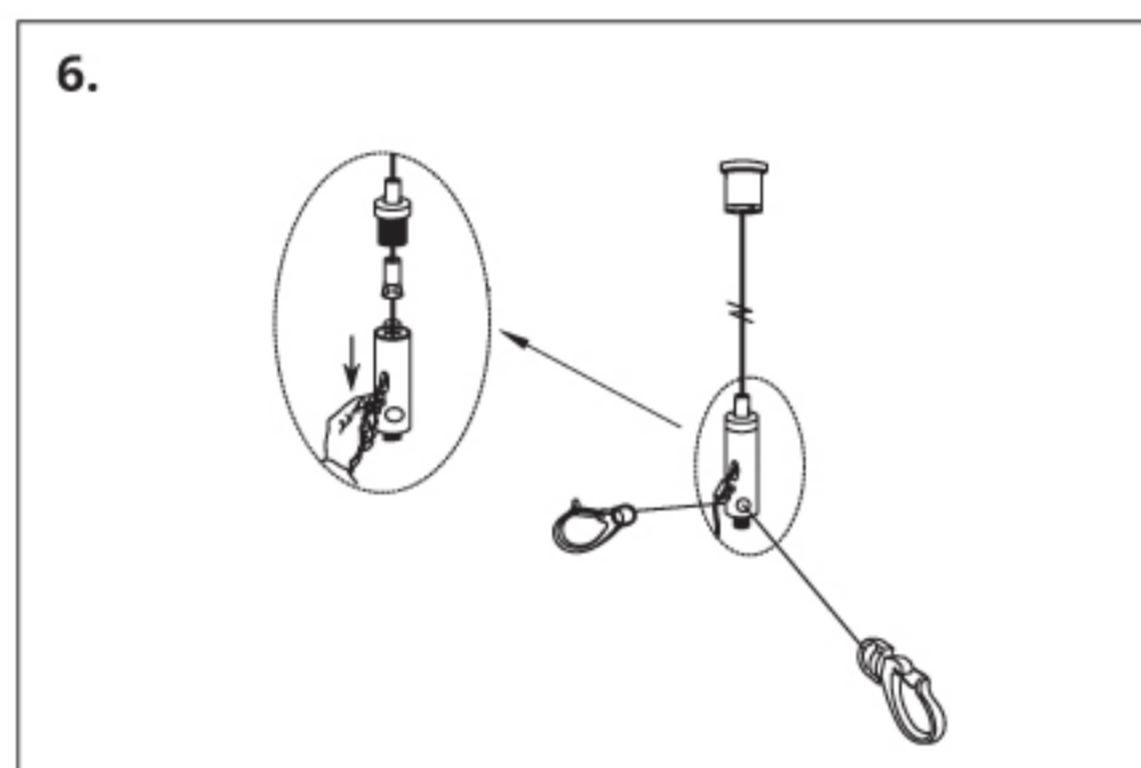
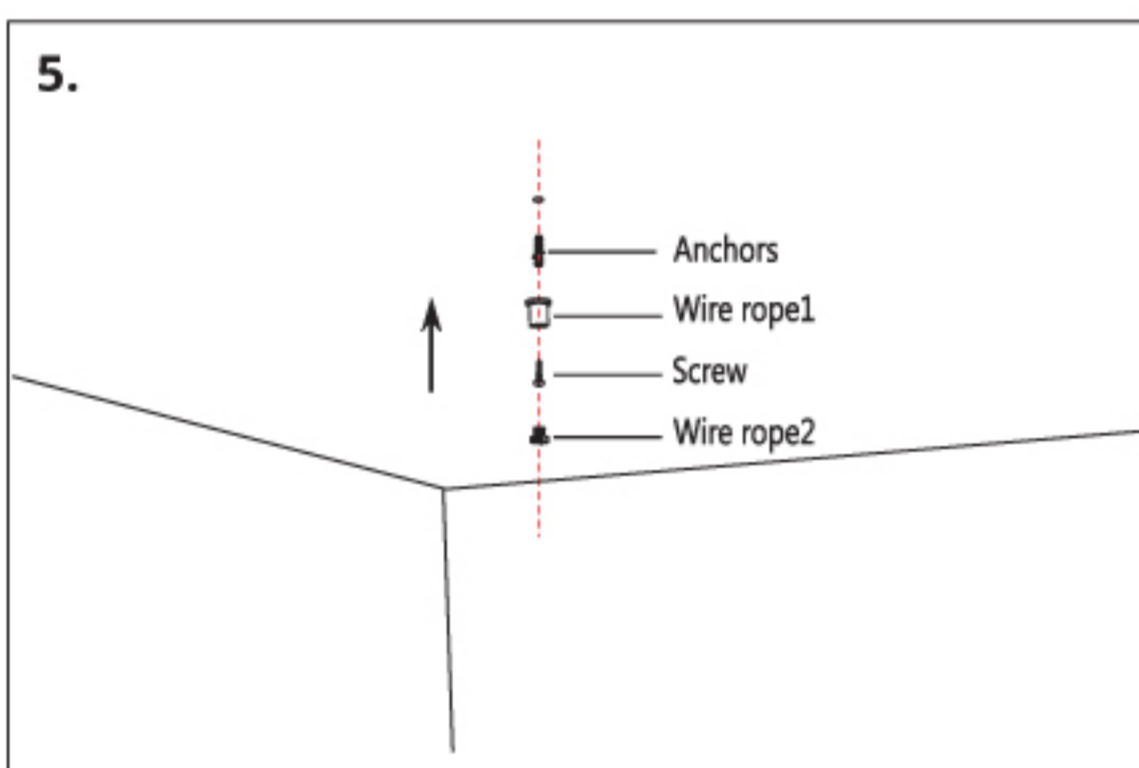
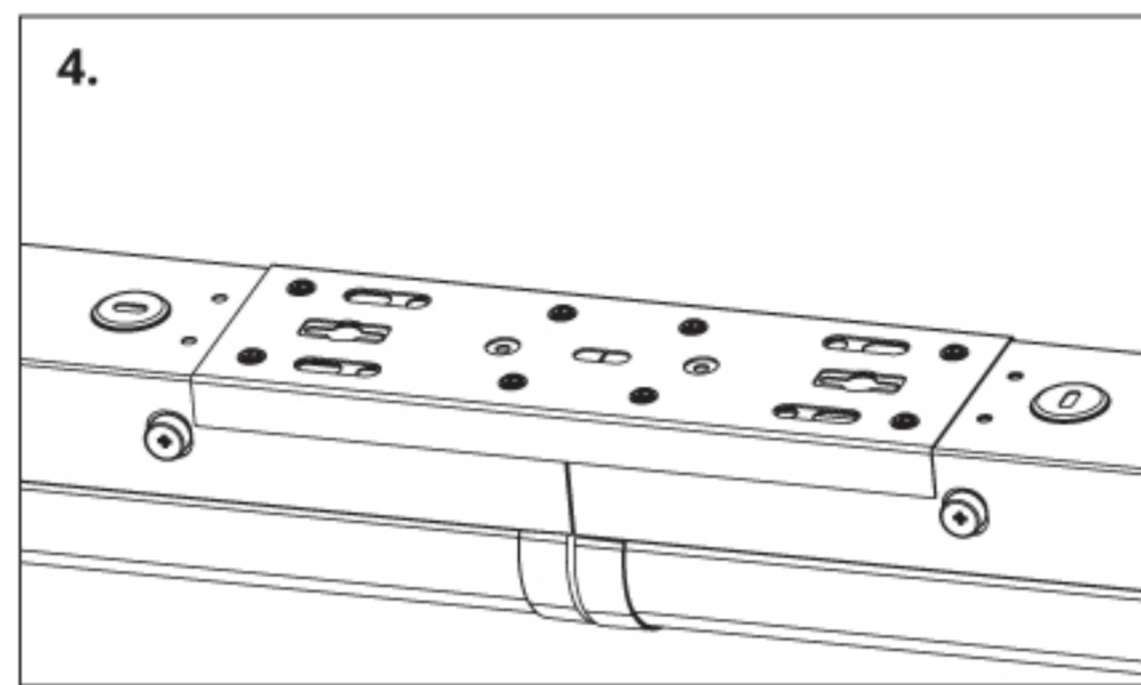
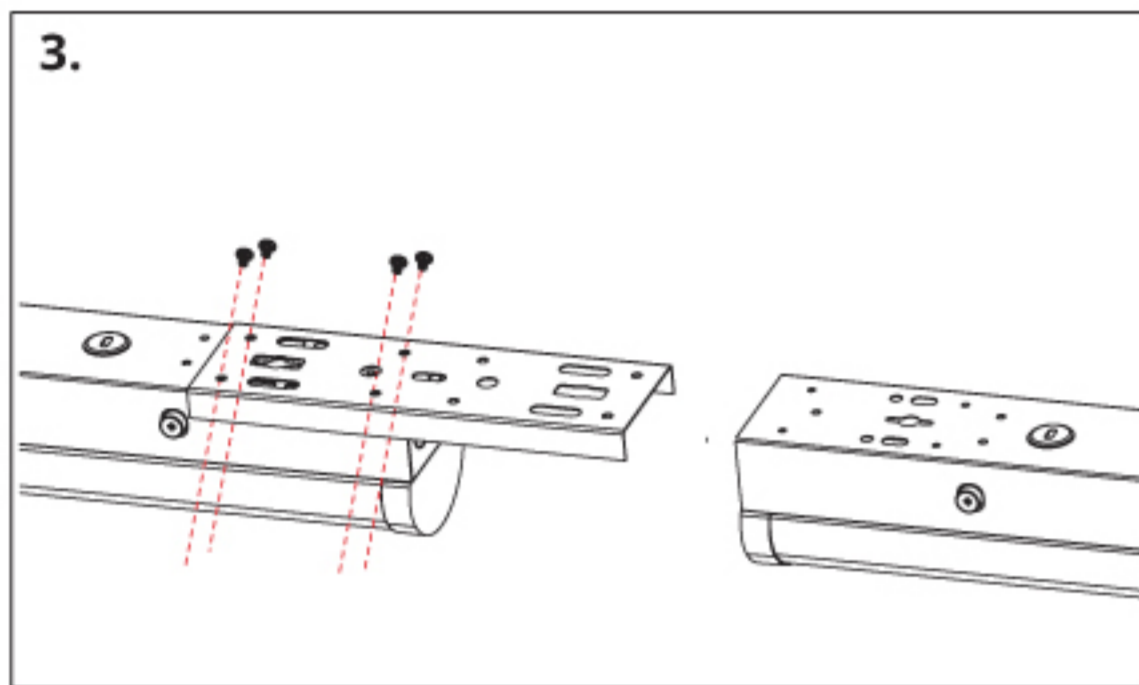
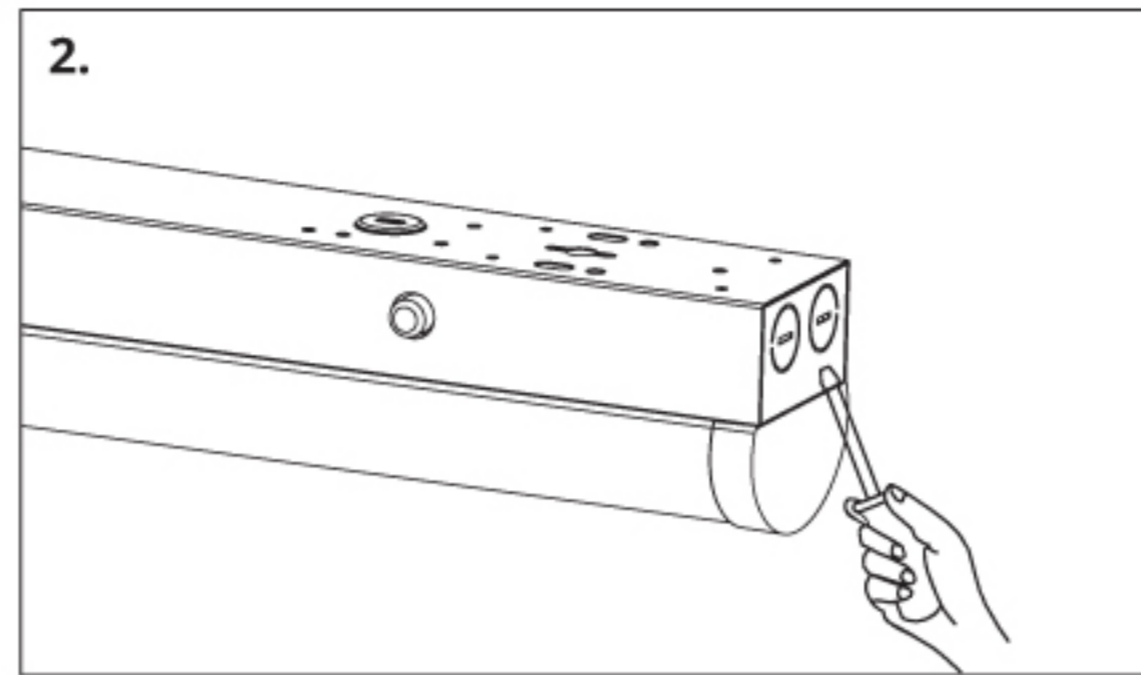
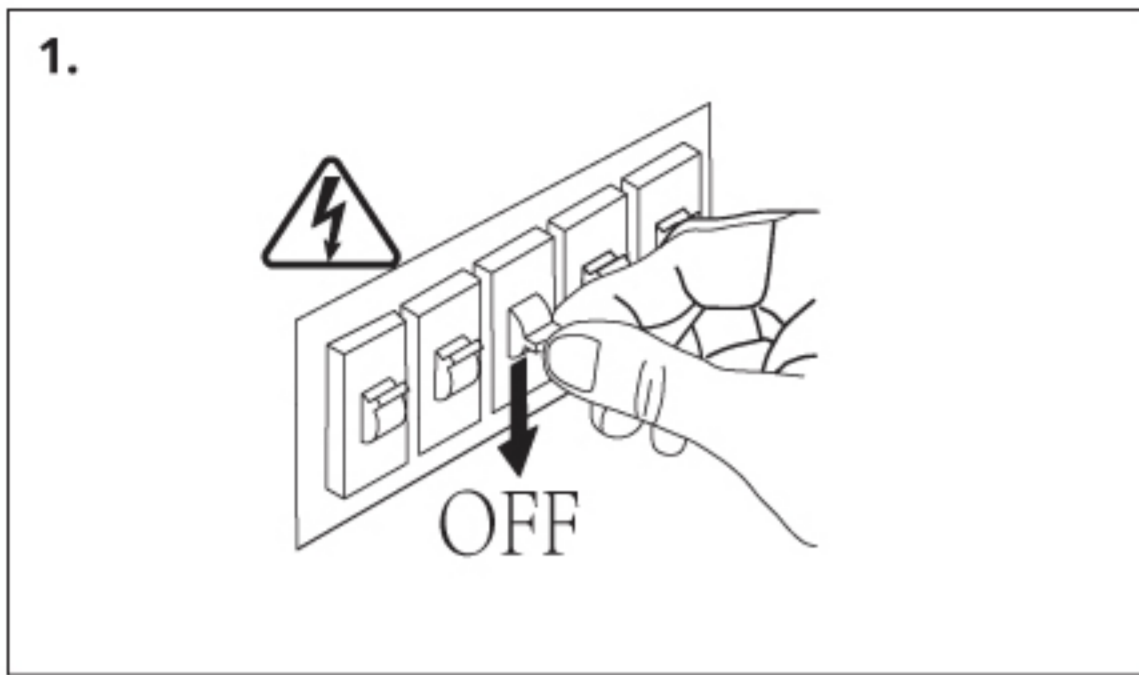


13. Secure the LED cover to the housing by pressing upward and lock it into the fixture. Energize the luminaire to verify operation.



INSTALLATION GUIDE

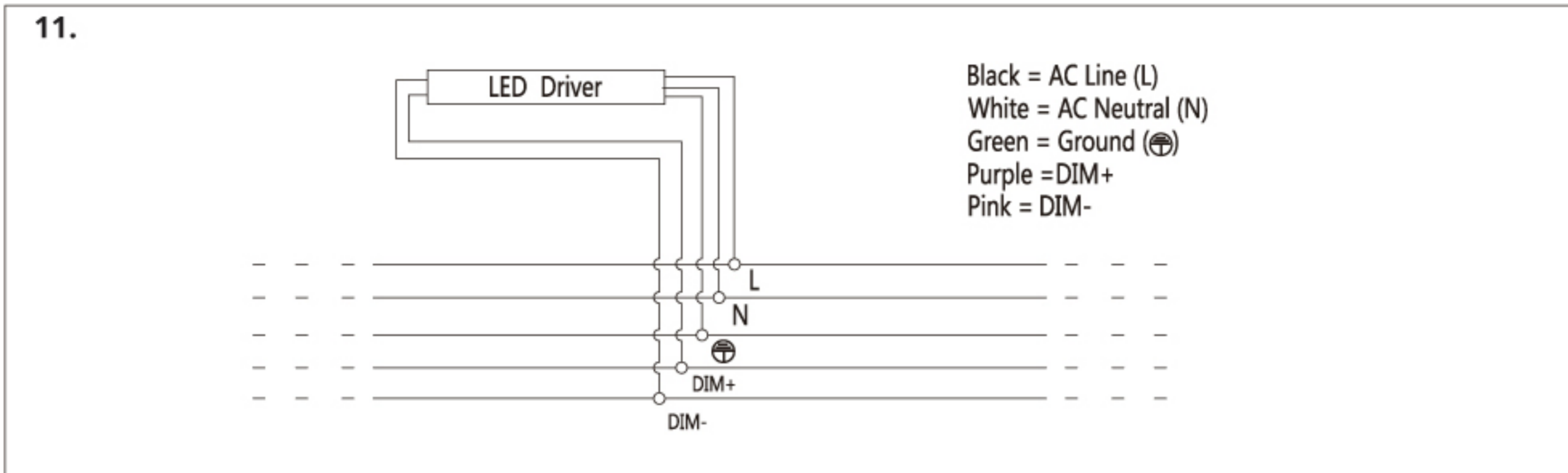
Suspending Continuous Row Mounting (daisy connection)



1. Turn off the power.
2. Screwed off the knockout hole at the end of lamp body.
3. Fix the connection bracket at the end of one lamp with screw.
4. As shown, the drawing of connecting finished.
5. Drill holes on the wall as well as lock the accessories orderly (as shown).
6. Adjusting the length of safety rope after locked.
7. Lift up the light, fasten the hooks to the lamp.
8. Finished safety rope installation as shown.
9. Install all lamps which need suspending as step above.
10. Press the button on both sides of light and remove LED cover.

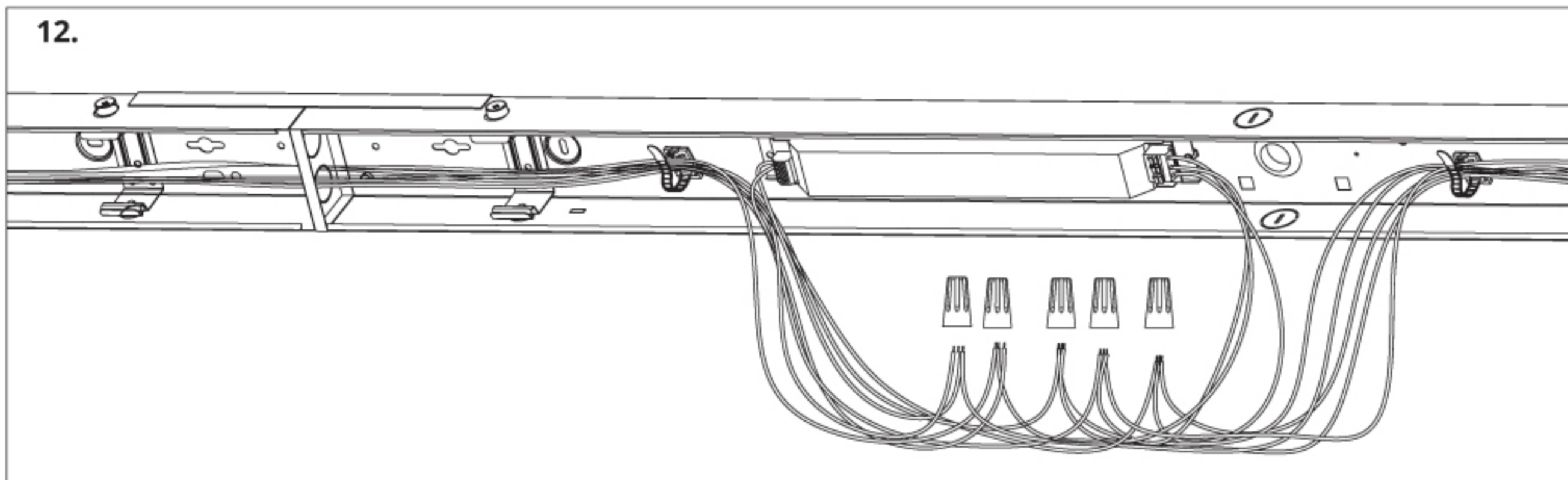
INSTALLATION GUIDE

Suspending Continuous Row Mounting (daisy connection)



11. Wiring diagram.

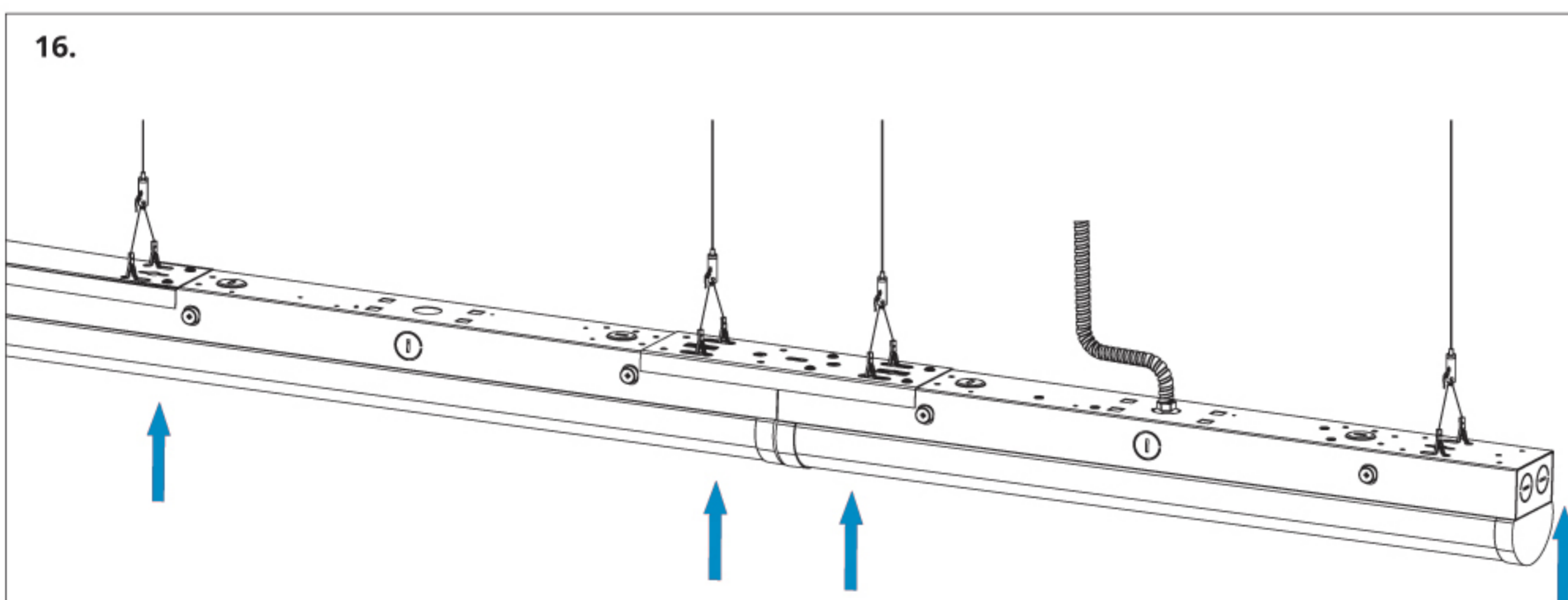
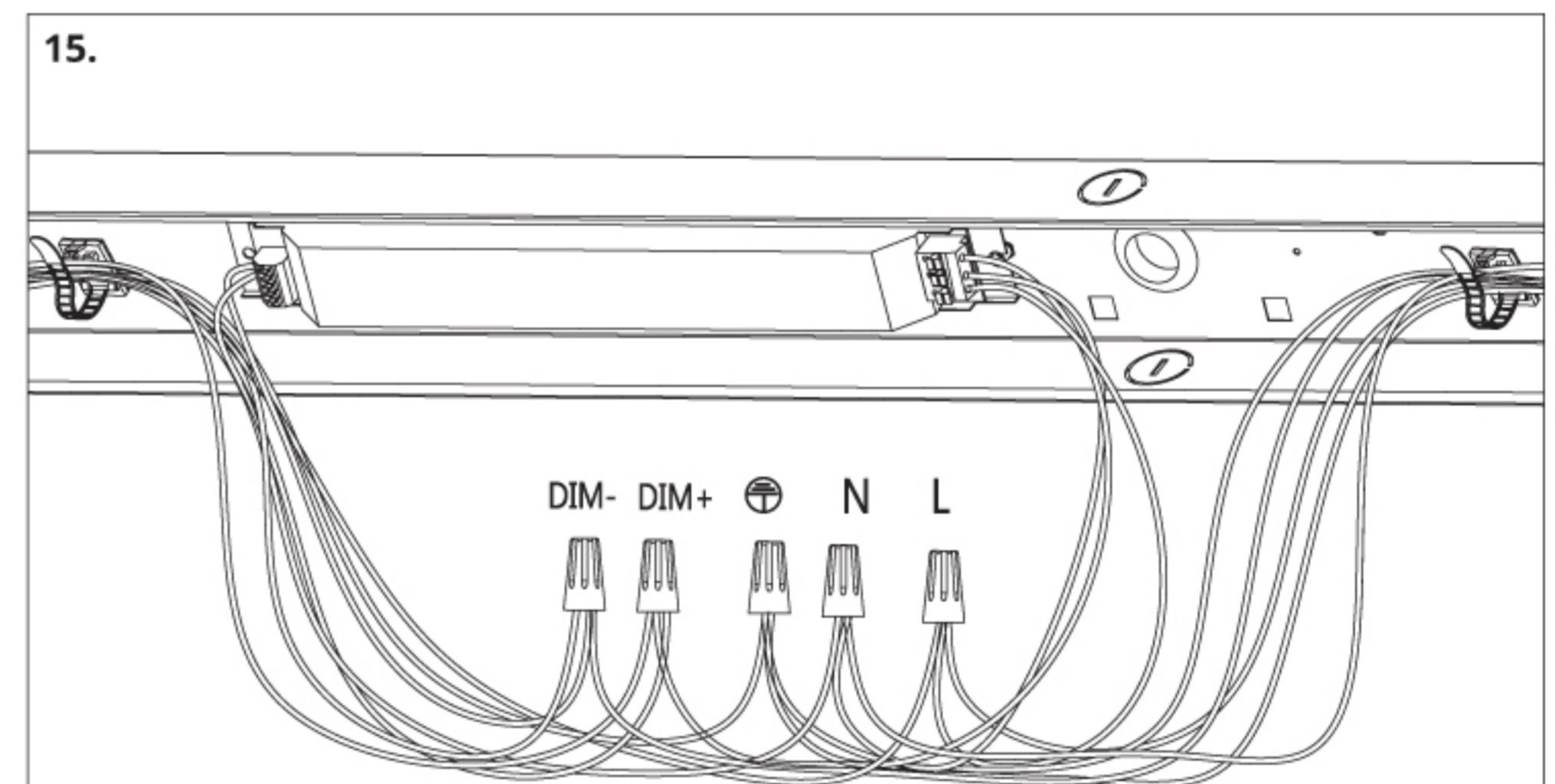
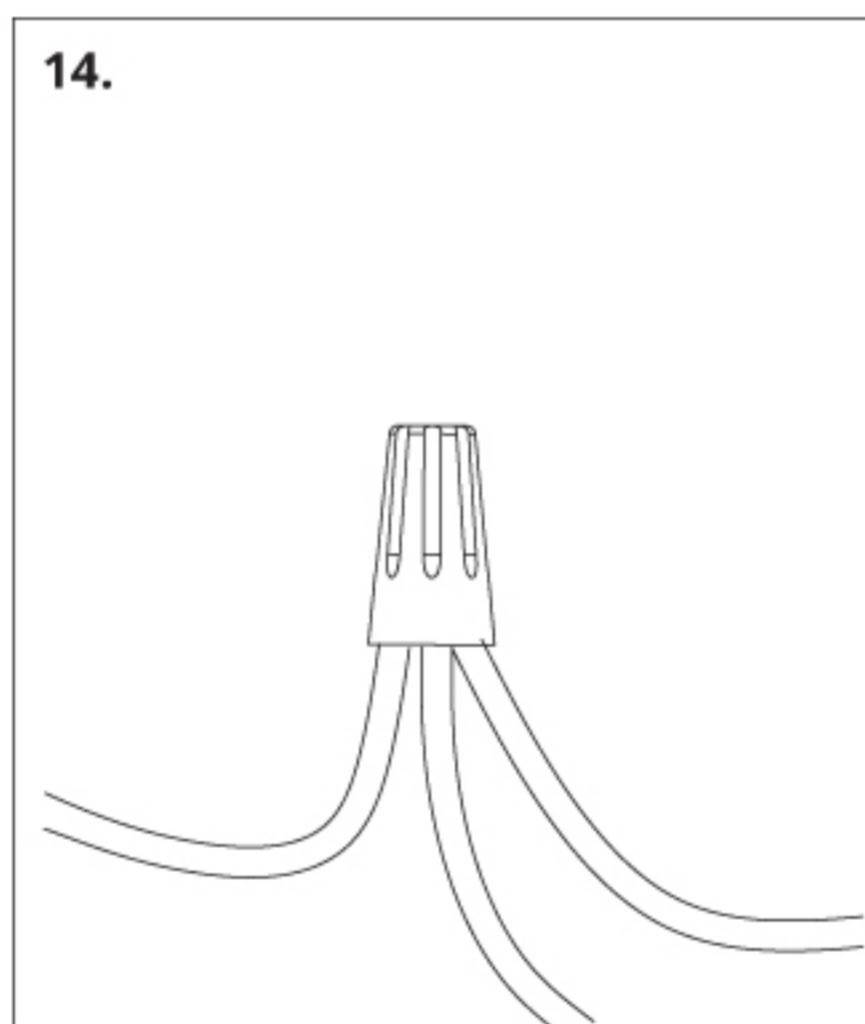
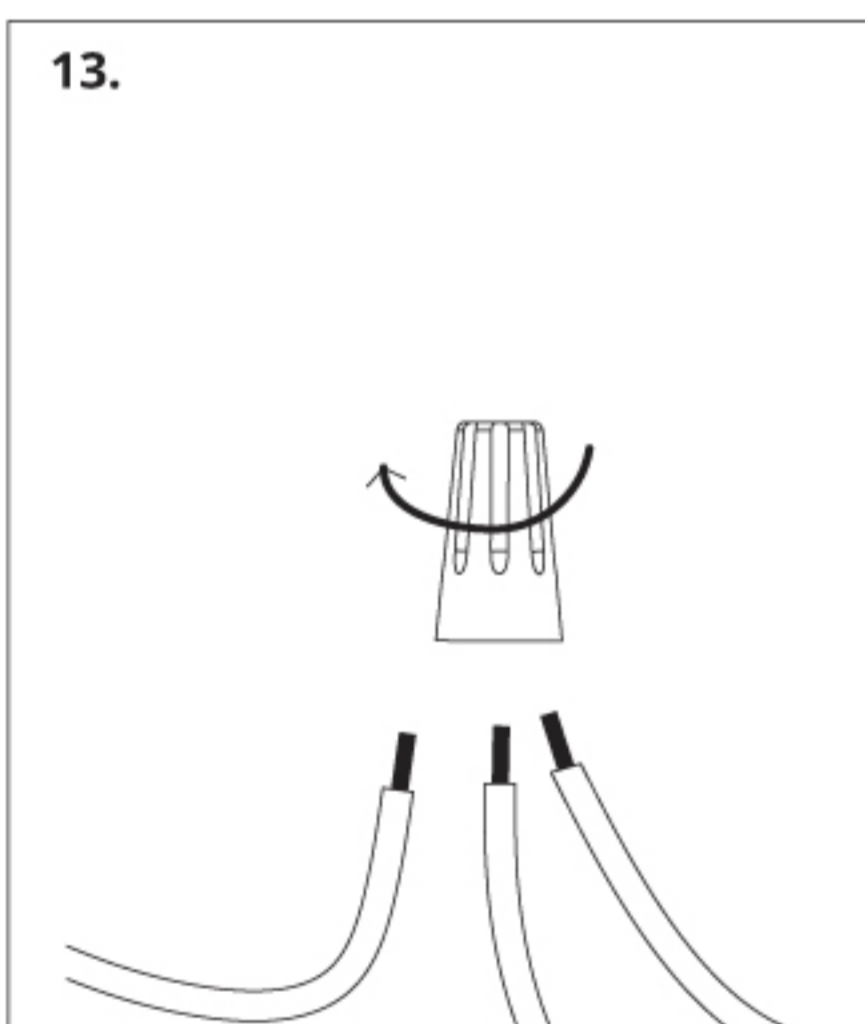
12. Take the black/white/green wire harness and connect to the existing wire connectors on the input wires of the driver respectively. When using the dimming function, take the purple and pink wire harness and make connection to driver. Please make wiring connection using the wiring diagram in Step 11.



13. Insert the electronic wire into the wire nut.

14. The same type of electronic wires are inserted into the same wire nut and combined into a parallel circuit.

15. Once wiring is completed, take wire harness and run it through the knockouts of the connecting fixture. Use self-adhesive cable ties to eliminate any cable tangles and clutter.



16. Secure the LED Cover to the housing by pressing upward and lock it into the fixture. Energize the luminaire to verify operation.