

MODEL ODB4-100



HIGHLIGHTS

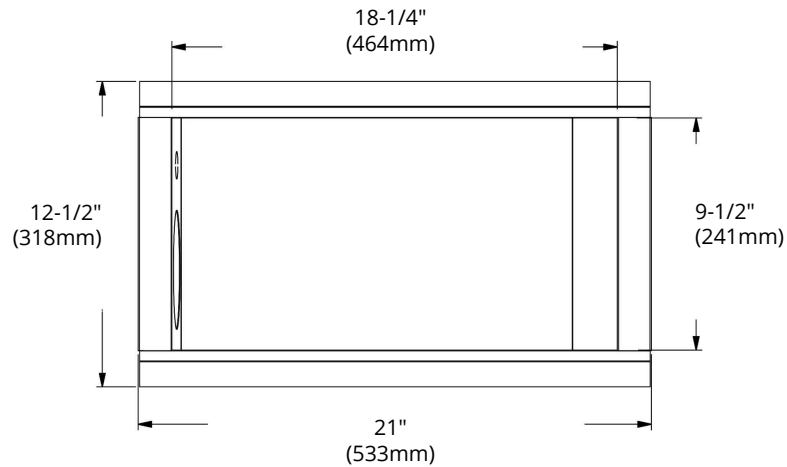
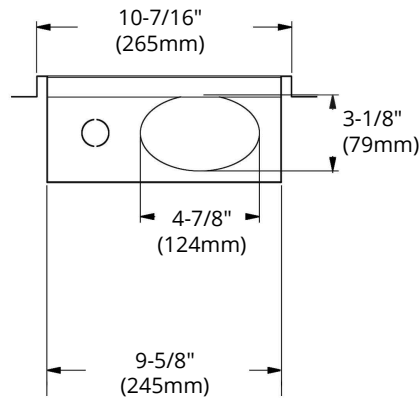
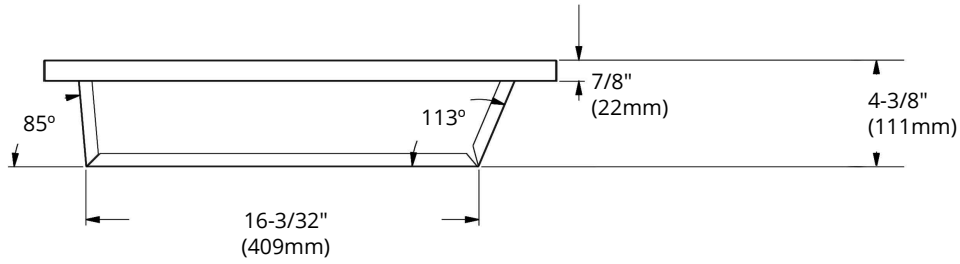
- Residential grade Dryer Boxes for placing the dryer flush to the wall without crushing the exhaust hose or restricting airflow
- Has a cleaner and more professional finish and makes homes safer, more spacious and efficient environments
- Allows the dryer to perform at its peak efficiency by reducing one 90° elbow from the dryer exhaust system
- Protects exhaust duct in the wall and gives the dryer some space
- Saves space and energy and contributes to reducing fire hazard
- With oval hose hole

SPECIFICATIONS

Model	ODB4-100
Material	Metal with thick powder coating
Function	Places dryer closer to the wall / Saves space / Protects dryer and exhaust duct in the wall
Rating	IC Rated / Indoor use only / for Damp locations
Application	Wall recessed
Colour Finish	White

MODEL ODB4-100

DIMENSIONS



ORTECH reserves the right to modify at any time, without notice, any or all of our product's features, designs, components and specifications to meet market changes.

Reference	QTY.	Remarks	Project:
			Location:
			Architect:
			Engineer:
			Contractor:
			Submitted by:
			Date: