



## PROFILE 7 SMALL SQUARE

*The Profile 7 Series of down light, post top luminaires accurately delivers the required amount of illumination to the “working areas” of malls, parks, walkways, and parking lots. At the same time, its sharp cutoff design prevents uplight and glare from the lamp. The soft, glare-free night time glow provides the charm of gaslight, with the high visibility required for safety and security. The profile 7 Series has a wide range of mounting options to suite almost any requirement.*

**HOUSING** Rugged seamless aluminum housing. Upper housing is supported by internal brackets. Gasketed top cover plate for convenient lamp replacement. Lens is a injection molded, U.V. resistant acrylic. Polycarbonate is available.

**REFLECTOR** Spun aluminum with specular alzak finish. The P7 has a symmetrical distribution and is available with 45 or 90 degree cutoff.

**BALLAST** All ballasts are core and coil prewired to the customers requirements. Standard ballast is a 120/277/347 volts. Also available on certain wattages is a 120/208/240 CWI ballast. Available in 70 to 150 watts High Pressure Sodium and 70 to 250 watts Metal Halide.

**HARDWARE** All external hardware is stainless steel to ensure corrosion-free protection from the elements.



**SOCKET** Mogul base 4KV pulse-rated socket with a nickle-plated screw shell and a spring-loaded centre contact.

**LAMP** Lamps not included. Must be ordered separately.

**MOUNTING** Slip fits a 3” tenon. For multi-head assemblies please consult factory.

**FINISHES** Standard finishes are Bronze and Black in a powder coat finish. Custom colours are available.

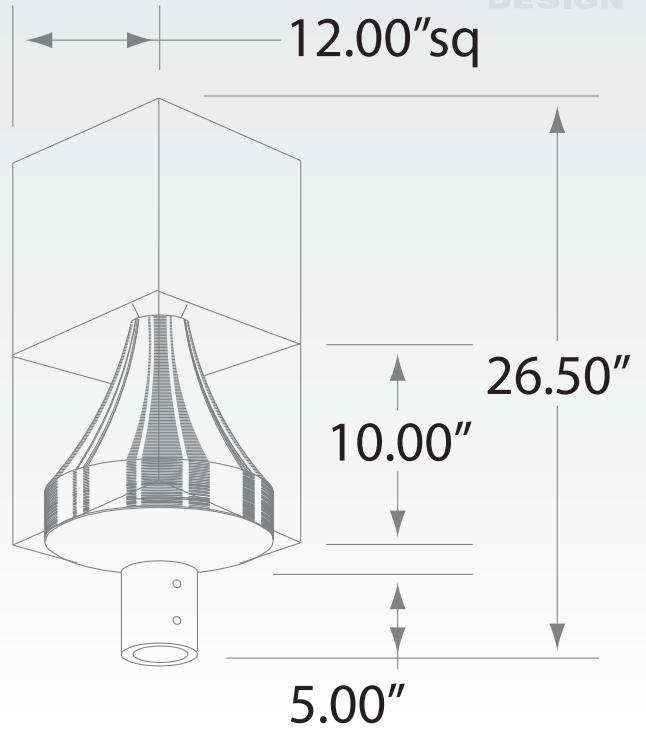
**OPTIONS** Photocell and house side shield.



### Catalog Code

|            |   |
|------------|---|
| <b>P7S</b> |   |
| LAMP       | 70HPS 100HPS 150HPS<br>70MH 100MH 150MH 175MH<br>250MH                            |
| VOLTAGE    | 120 277 347<br>120CWI 208CWI 240CWI   |
| LENS       | AC - ACRYLIC<br>LE - POLYCARBONATE  |
| FINISH     | BRZ - BRONZE<br>BLK - BLACK<br>CC - CUSTOM FINISH                                 |
| OPTIONS    | PC - PHOTOCCELL<br>45HCO - 45° HOUSE SIDE SHIELD<br>90HCO - 90° HOUSE SIDE SHIELD |

### Dimensions



#### CATALOG NUMBER:

FILENAME: P7S100HP.IES

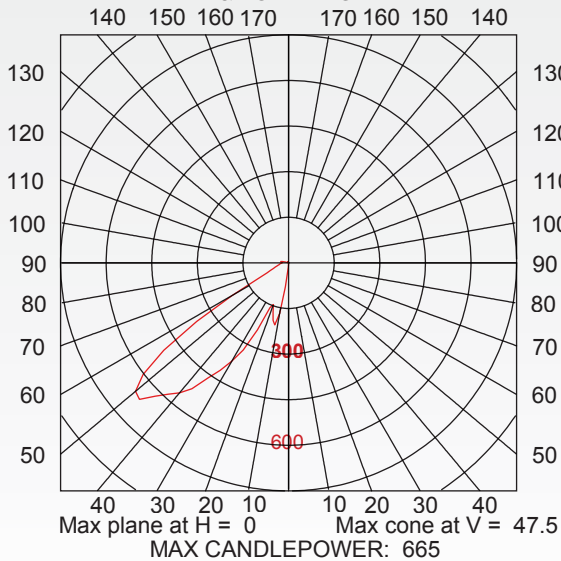
TEST NO. 5446

DESIGN ELECTRICAL OUTDOOR LUMINAIRE CAT. NO. P7S100HPS120 12" SQ BRN WITH BROWN INTERIOR, SPECULAR CONE AND DIFFUSE TOP REFLECTORS, CLEAR LENS ONE 100W CLEAR HPS LAMP. LUMEN RATING = 9500 LMS.

#### SUMMARY DATA

|                              |                |
|------------------------------|----------------|
| EFFICIENCY (Total):          | 16.8 %         |
| EFFICIENCY (Down / Up):      | 16.2 % / 0.5 % |
| EFFICIENCY (Street / House): | 8.4 % / 8.4 %  |
| LUMENS/LAMP:                 | 9500           |
| NO. OF LAMPS:                | 1              |
| LUMINOUS OPENING:            | RECTANGULAR    |

#### PLANE & CONE DIAGRAM



#### ISO-ILLUMINANCE DIAGRAM (fc)

