



LED Linear High Bay

Product Specifications



The HB by TCP LED High Bay family is a versatile solution for endless applications. With an all metal frame, and included mounting hardware, the HB by TCP is quick to install and will provide a long lasting durable light source for years to come.

Reasons to choose the LED Linear High Bay from TCP

- Steel frame with no scalloping and pop riveted and rounded edge corners
- Standard frosted lens for glare control
- No shadows for smooth, even lighting
- Damp location rated
- 0-10V smooth dimming
- 250 or 400W HID equivalent
- 50,000 hour rated life
- Wide beam spread due to angled LED design providing clean cut off
- Optional battery backup or motion sensors available
- Includes 6 foot power cord

Ideal Applications

- High ceiling locations
- Commercial settings
- Industrial settings
- Retail settings
- Warehouses

Applications

The HB by TCP LED High Bay family is a versatile solution for endless applications. With an all metal frame, and included mounting hardware, the HB by TCP is quick to install and will provide a long lasting durable light source for years to come. Best for use in high ceiling locations in commercial, industrial, retail, or warehouse settings.

Features

- Post painted steel frame with no scalloping and pop riveted and rounded edge corners
- Standard frosted lens for glare control
- No shadows, smooth even lighting
- Damp location rated
- 0-10V smooth no flicker dimming
- Operating temperature: -4° to 122°F
- 250 or 400W HID equivalent
- Long 50,000 hour rated life
- Wide beam spread due to angled LED design providing clean cut off
- Optional battery backup or motion sensors available
- Includes 6-Foot power cord

Hardware Included

- 2 Tong Hangers
- 5' Jack Chains
- Hub Mount Kit for 3/4" Conduit/Stem Mount
- 6-Foot Pre-wired Cord

Installation

Surface, suspended or pendant mounted. Before installation, please consult your local ordinances and building codes.



Listings

cULus Listed
RoHS Compliant
DLC v4.4 Premium

Warranty

Five year limited warranty against defects in manufacturing.

Larger beam spread due to angled LED design providing clean cut off.



Catalog Ordering Matrix Example: HB21000150

HB				
FAMILY	WATTS ¹²	VOLTAGE	COLOR TEMPERATURE	OPTIONS
HB = LED Linear High Bay	90 – 11,700 Lumens 105 – 13,650 Lumens 150 – 19,500 Lumens 175 – 22,750 Lumens 210 – 27,300 Lumens	001 – 120-277V 002 – 347-480V	40 – 4000K 50 – 5000K	B = Battery back-up LS1 - Leviton Occupancy Sensor, 40' or less, 120V, 277V or 347V LS1D - Leviton Occupancy Sensor w/ Daylight Harvesting, 40' or less, 120V, 277V or 347V LS4 - Leviton Occupancy Sensor, 40' or less, 208V, 240V or 480V

¹ Actual wattage may differ by +/- 10%.

² Approximate lumen output. Actual performance may vary based on CCT, options selected and end user application.

Accessories:

Item Number	Description	Item Number	Description
HB1WG	Wire Guard for HB10500150 & HB15000150	LS1	Leviton Occupancy Sensor w/ Bracket, 40' or less, 120V, 277V or 347V
HB2WG	Wire Guard for HB21000150	LS1D	Leviton Occupancy Sensor w/ Daylight Harvesting and Bracket, 40' or less, 120V, 277V or 347V
OT00040	Replacement Lens Panels for HB10500150 & HB15000150	LS4	Leviton Occupancy Sensor w/ Bracket, 40' or less, 208V, 240V or 480V
OT00040A	Replacement Lens Panels for HB21000150		

For the most up-to-date specs and warranty information, please visit www.tcp.com

TCP®

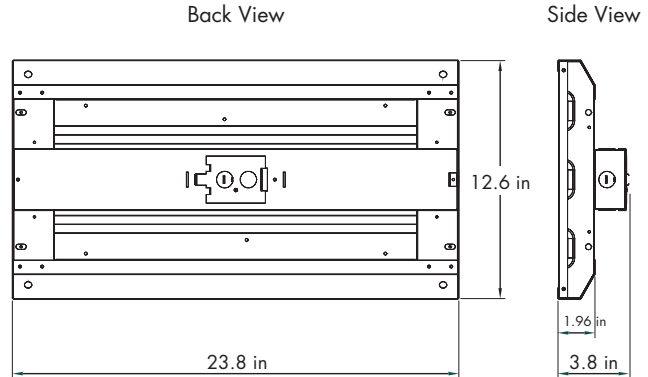
325 Campus Dr. | Aurora, Ohio 44202 | P: 800-324-1496 | tcp.com

Not all versions of this product are qualified on the DLC QPL. To view our DLC qualified products, please consult the DLC Qualified Products List at www.designlights.org/apl.



Dimensions

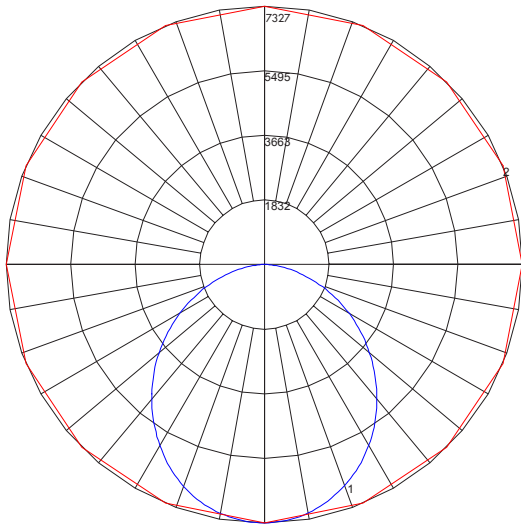
HB90, HB105 and HB150
(23.8 x 12.6 inches)



Photometric Report

Based on photometric data for
TCP Item # HB15000150

Polar Graph



Maximum Candela = 7326.6 Located At Horizontal Angle = 0, Vertical Angle = 0
1 - Vertical Plane Through Horizontal Angles (0 - 180) (Through Max. Cd.)
2 - Horizontal Cone Through Vertical Angle (0) (Through Max. Cd.)

Average Luminance candelas/square meter (cd/sq.m)

Angle In Degrees	Average 0-Deg	Average 45-Deg	Average 90-Deg
45	33759	33815	33891
55	31348	31304	31454
65	28193	28064	28255
75	23652	23334	23490
85	16244	15281	15047

Specifications and dimensions subject to change without notice.

Coefficients of Utilization – Zonal Cavity Method

Effective Floor Cavity Reflectance 0.20

RC	80				70				50			30			10			0
	70	50	30	10	70	50	30	10	50	30	10	50	30	10	50	30	10	0
0	119	119	119	119	116	116	116	116	111	111	111	106	106	106	102	102	102	100
1	109	104	100	97	106	102	98	95	98	95	92	94	91	89	90	88	86	84
2	99	91	85	79	97	89	83	78	86	81	76	83	78	75	80	76	73	71
3	91	80	72	66	88	79	71	65	76	70	64	73	68	63	71	66	62	60
4	83	71	63	56	81	70	62	56	68	61	55	65	59	54	63	58	54	51
5	77	64	55	49	75	63	55	48	61	53	48	59	52	47	57	51	47	45
6	71	58	49	43	69	57	48	42	55	48	42	53	47	42	52	46	41	39
7	66	52	44	38	64	52	43	38	50	43	37	49	42	37	47	41	37	35
8	61	48	39	34	60	47	39	34	46	39	33	45	38	33	43	37	33	31
9	57	44	36	30	56	43	36	30	42	35	30	41	35	30	40	34	30	28
10	54	41	33	28	52	40	33	28	39	32	27	38	27	27	38	31	27	25

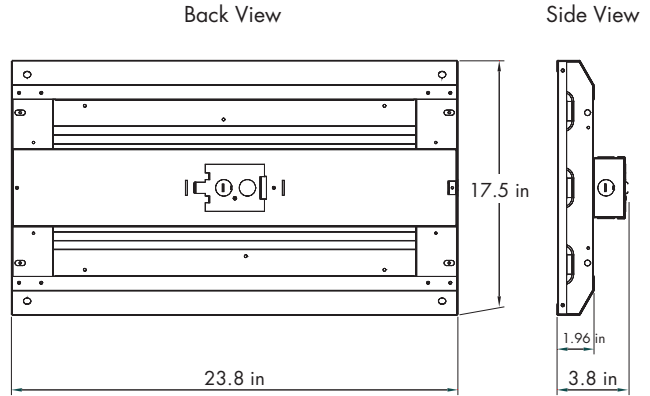
Zonal Lumen Summary

Zone	Lumens	%Lamp	%Fixt
0-20	2651.5	N.A.	13.90
0-30	5566.91	N.A.	29.20
0-40	8987.26	N.A.	47.10
0-60	15407.32	N.A.	80.70
0-80	18796.5	N.A.	98.40
0-90	19093.68	N.A.	100.00
10-90	18402.88	N.A.	96.40
20-40	6335.76	N.A.	33.20
20-50	9766.58	N.A.	51.20
40-70	8610.04	N.A.	45.10
60-80	3389.18	N.A.	17.80
70-80	1199.19	N.A.	6.30
80-90	297.18	N.A.	1.60
90-110	0.00	N.A.	0.00
90-120	0.00	N.A.	0.00
90-130	0.00	N.A.	0.00
90-150	0.00	N.A.	0.00
90-180	0.00	N.A.	0.00
110-180	0.00	N.A.	0.00
0-180	19093.68	N.A.	100.00

Total Luminaire Efficiency = N.A. %

Dimensions

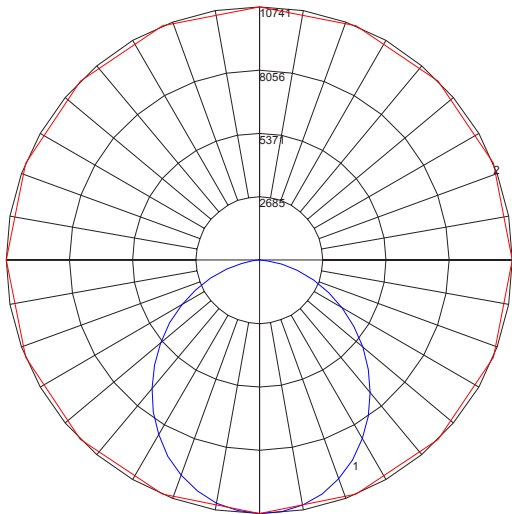
HB175 and HB210
(23.8 x 17.5 inches)



Photometric Report

Based on photometric data for
TCP Item # HB21000150

Polar Graph



Maximum Candela = 10741.37 Located At Horizontal Angle = 0, Vertical Angle = 0
1 - Vertical Plane Through Horizontal Angles (0 - 180) (Through Max. Cd.)
2 - Horizontal Cone Through Vertical Angle (0) (Through Max. Cd.)

Average Luminance candelas/square meter (cd/sq.m)

Angle In Degrees	Average 0-Deg	Average 45-Deg	Average 90-Deg
45	49784	49818	49373
55	45916	46012	15532
65	41457	41245	40589
75	34818	34714	33616
85	24621	24646	22706

Specifications and dimensions subject to change without notice.

Coefficients of Utilization – Zonal Cavity Method

Effective Floor Cavity Reflectance 0.20

RC	80				70				50			30			10			0
	70	50	30	10	70	50	30	10	50	30	10	50	30	10	50	30	10	0
0	119	119	119	119	116	116	116	116	111	111	111	106	106	106	102	102	102	100
1	109	104	100	97	106	102	98	95	98	95	92	94	91	89	90	88	86	84
2	99	91	85	79	97	90	83	78	86	81	76	83	78	75	80	76	73	71
3	91	81	73	66	88	79	72	66	76	70	64	73	68	63	71	66	62	60
4	83	72	63	57	81	70	62	56	68	61	55	65	59	54	63	58	54	52
5	77	64	55	49	75	63	55	49	61	54	48	59	52	47	57	51	47	45
6	71	58	49	43	69	57	49	43	55	48	42	53	47	42	52	46	41	39
7	66	53	44	38	64	52	44	38	50	43	37	49	42	37	47	41	37	35
8	61	48	40	34	60	47	39	34	46	39	34	45	38	33	44	38	33	31
9	57	44	36	31	56	44	36	31	42	35	30	41	35	30	40	34	30	28
10	54	41	33	28	53	40	33	28	39	32	28	38	32	28	37	32	27	26

Zonal Lumen Summary

Zone	Lumens	%Lamp	%Fixt
0-20	3890.35	N.A.	14.00
0-30	8160.16	N.A.	29.40
0-40	13146.16	N.A.	47.40
0-60	22386.16	N.A.	80.80
0-80	27161.71	N.A.	98.00
0-90	27585.02	N.A.	99.60
10-90	26571.08	N.A.	95.90
20-40	9256.43	N.A.	33.40
20-50	14218.18	N.A.	51.30
40-70	12345.24	N.A.	44.60
60-80	4775.06	N.A.	17.20
70-80	1669.69	N.A.	6.00
80-90	423.30	N.A.	1.50
90-110	27.20	N.A.	0.10
90-120	40.39	N.A.	0.10
90-130	56.37	N.A.	0.20
90-150	93.37	N.A.	0.30
90-180	124.33	N.A.	0.40
110-180	97.13	N.A.	0.40
0-180	27709.35	N.A.	100.00

Total Luminaire Efficiency = N.A.%