

LED FIXTURE

TL Series

LED Emergency

TL-EM002, TL-EM003

LED Emergency Remote Head



Features & Benefits

Injection-molded thermoplastic housing

Innovative, easy installation

UL-94V-0 flame rating, fire-retardant

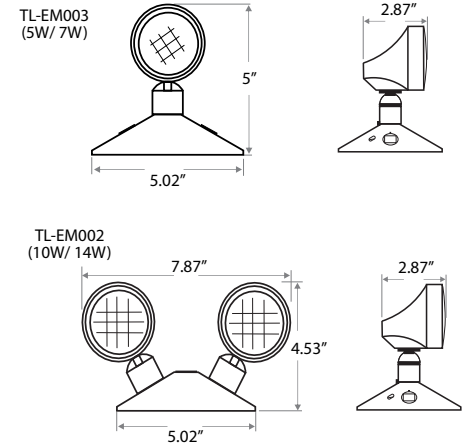
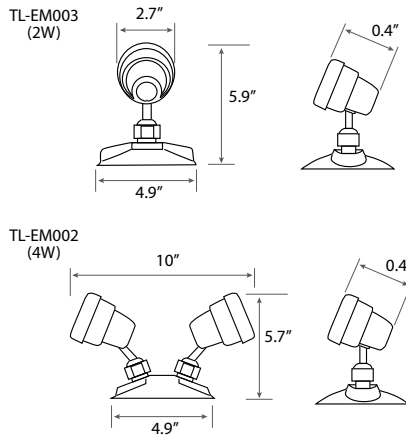
Universal (Wall, Ceiling) mounting

2W/ 5W/ 7W x 2 LED lamp heads (TL-EM002)

2W/ 5W/ 7W x 1 LED lamp head (TL-EM003)

cUL listed / IP20, damp location rated

Dimensional Drawing



Warranty

2-year limited warranty

Operating temperature range between 0°C and +40°C

Ordering Information Example: TL-RMES003

Family Name	Fixture Type	Model	Wattage
TL (Turolight)	EM (Emergency Light)	002 (LED Emergency 2 Remote Heads) 003 (LED Emergency 1 Remote Head)	4W, 10W, 14W 2W, 5W, 7W

Product Specification

Ordering Code	Model Number	Description	Wattage (W)	Input Voltage (V)	CCT (K)	Hour Rating	CRI	Mounting	Remote Capable	Damp Location	Dimensions LxW (inch)	Case QTY.
3461112	TL-EM002	LED Emergency 2 Remote Heads	4W	3.6-24 VDC	7,000	50,000	82	Wall, Ceiling	Yes	Yes	5.7" x 4.9"	40
3462101	TL-EM002-10W	LED Emergency 2 Remote Heads	10W	5-12 VDC	6,500	50,000	82	Wall, Ceiling	Yes	Yes	4.53" x 5.02"	20
3462102	TL-EM002-14W	LED Emergency 2 Remote Heads	14W	5-12 VDC	6,500	50,000	82	Wall, Ceiling	Yes	Yes	4.53" x 5.02"	20
3461113	TL-EM003	LED Emergency 1 Remote Head	2W	3.6-24 VDC	7,000	50,000	82	Wall, Ceiling	Yes	Yes	5.9" x 4.9"	40
3461119	TL-EM003-5W	LED Emergency 1 Remote Head	5W	5-12 VDC	6,500	50,000	82	Wall, Ceiling	Yes	Yes	5" x 5.02"	20
3462100	TL-EM003-7W	LED Emergency 1 Remote Head	7W	5-12 VDC	6,500	50,000	82	Wall, Ceiling	Yes	Yes	5" x 5.02"	20